

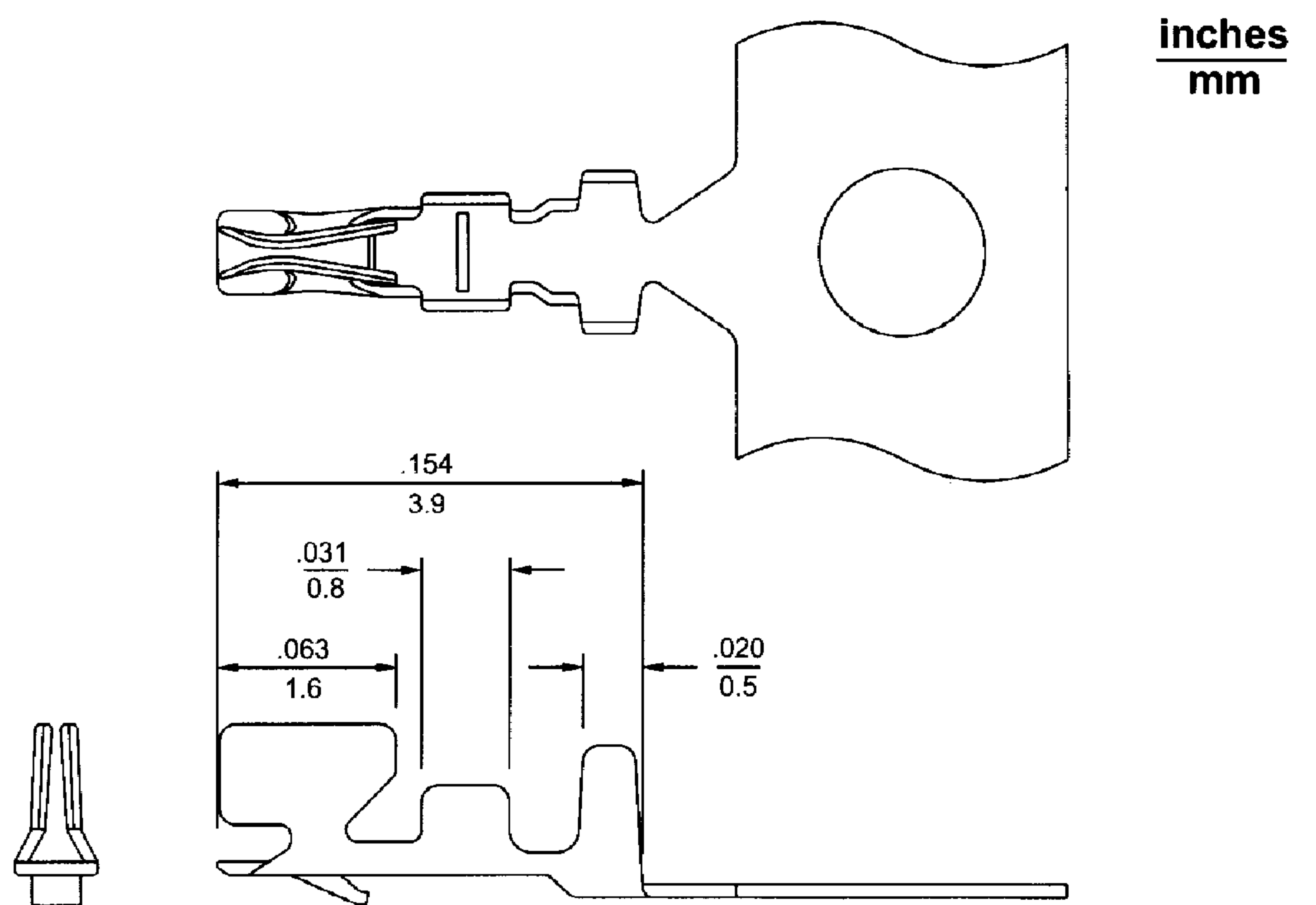
.039"(1.0mm) Crimp Terminal Housing

Specifications:

- Current rating: 1A AC, DC (AWG #28)
- Voltage rating: 50V AC, DC
- Withstanding voltage: 500V AC/minute
- Insulation resistance: 100MΩ min.
- Contact resistance: Initial value/20mΩ max.
- Temperature rise: -25°C ~ 85°C
(Including temperature rise in applying electrical current)

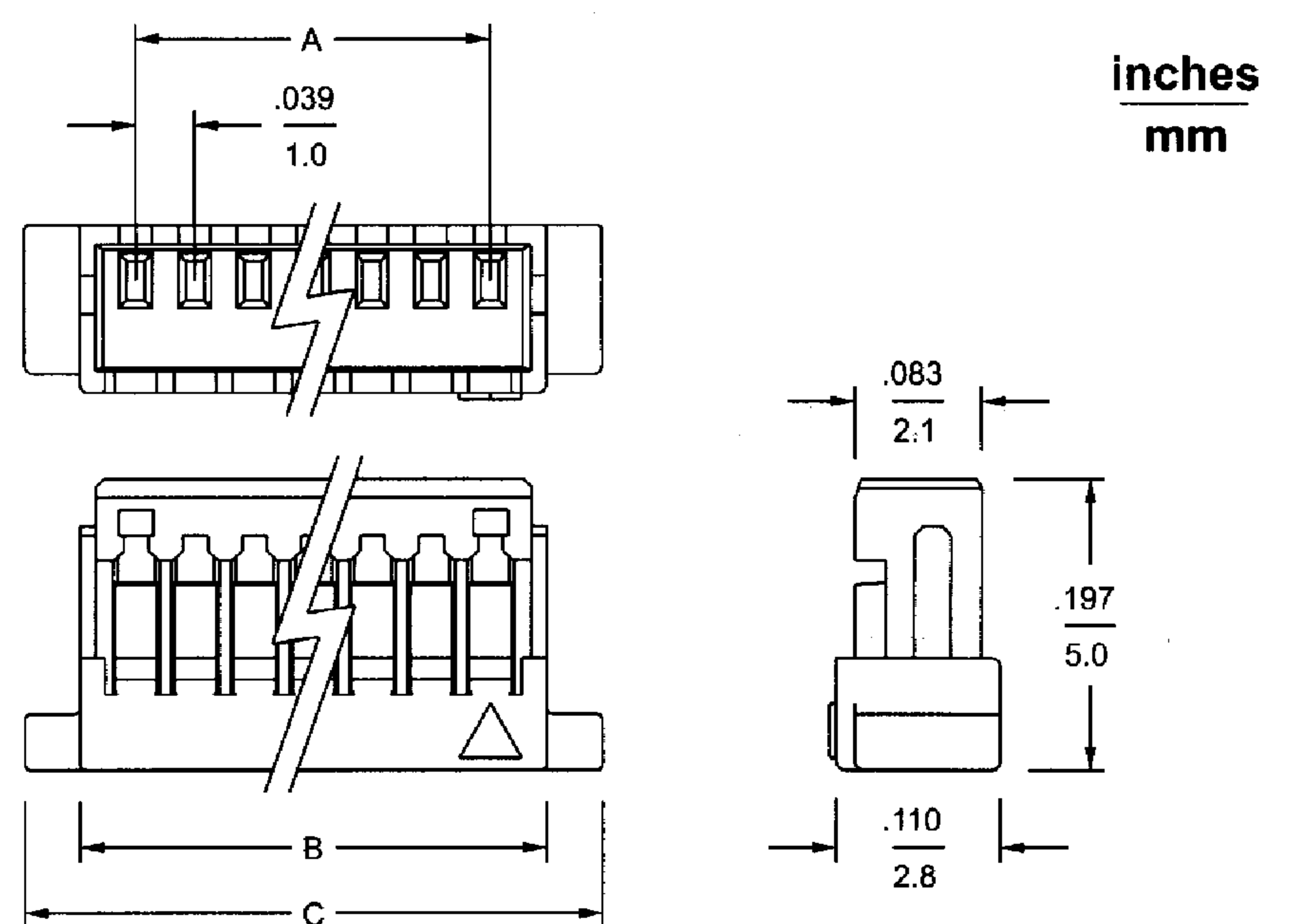
10001T Series Crimp Terminal

- Material: Phosphor bronze
- Finished: Tin-plated
- Used in 10001H . 10002H housing
- Wire range: AWG #28 ~ #32
- Insulation O.D.: .016" ~ .031"
(0.4 ~ 0.8mm)



10001H-N Series Crimp Terminal Housing

- 2 ~ 15, 20 circuits available
- Material: PBT UL 94V-0
- Color: White
- With protrusions
- Accepts 10001T
- Mates with 10001W series headers



Dimensional Information - in (mm)

Circuits	Dim. A	Dim. B	Dim. C	Circuits	Dim. A	Dim. B	Dim. C
2	0.039 (1.0)	0.118 (3.0)	0.197 (5.0)	10	0.354 (9.0)	0.433 (11.0)	0.512 (13.0)
3	0.079 (2.0)	0.157 (4.0)	0.236 (6.0)	11	0.394 (10.0)	0.472 (12.0)	0.551 (14.0)
4	0.118 (3.0)	0.197 (5.0)	0.276 (7.0)	12	0.433 (11.0)	0.512 (13.0)	0.591 (15.0)
5	0.157 (4.0)	0.236 (6.0)	0.315 (8.0)	13	0.472 (12.0)	0.551 (14.0)	0.630 (16.0)
6	0.197 (5.0)	0.276 (7.0)	0.354 (9.0)	14	0.512 (13.0)	0.591 (15.0)	0.669 (17.0)
7	0.236 (6.0)	0.315 (8.0)	0.394 (10.0)	15	0.551 (14.0)	0.630 (16.0)	0.709 (18.0)
8	0.276 (7.0)	0.354 (9.0)	0.433 (11.0)	20	0.748 (19.0)	0.827 (21.0)	0.906 (23.0)
9	0.315 (8.0)	0.394 (10.0)	0.472 (12.0)				