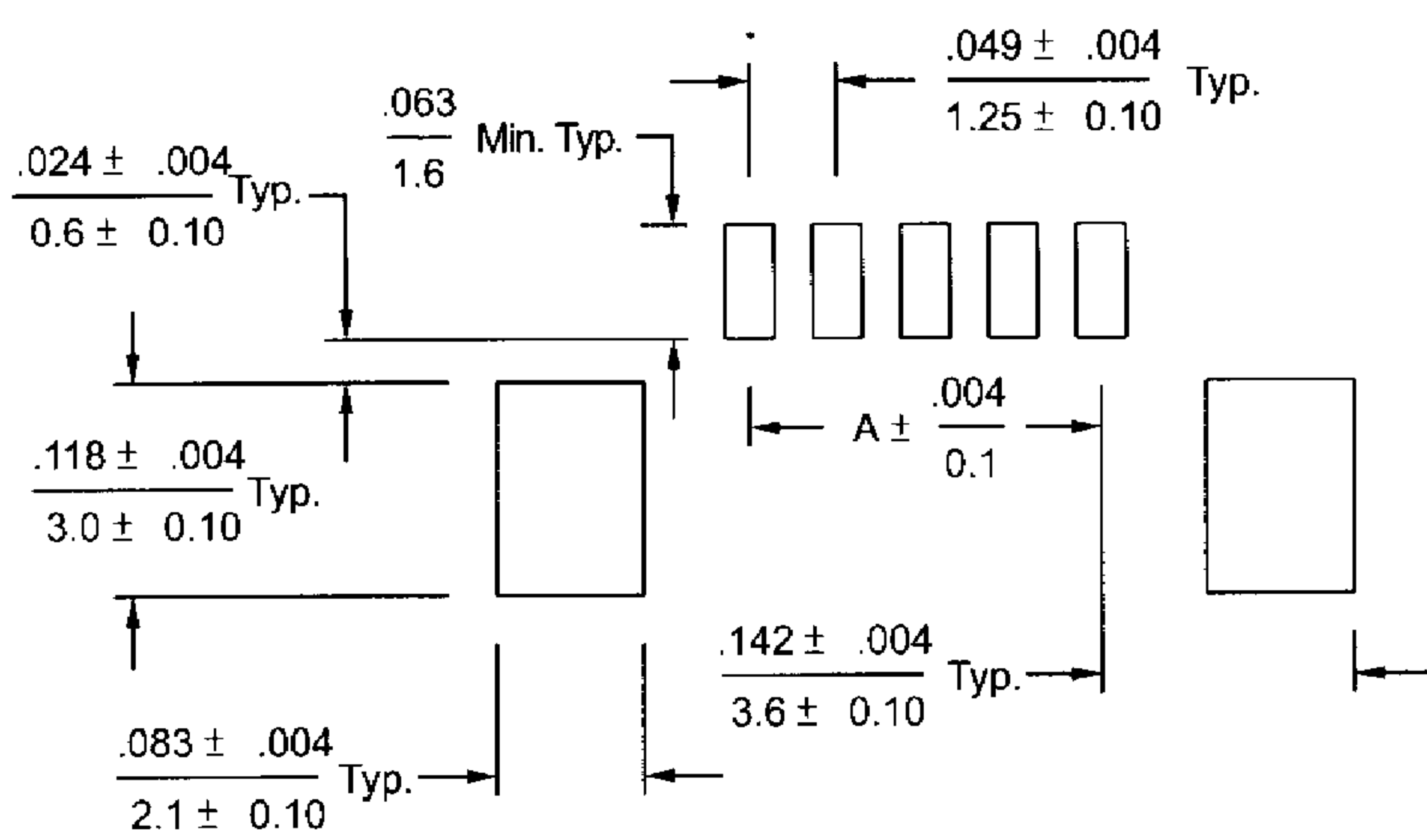


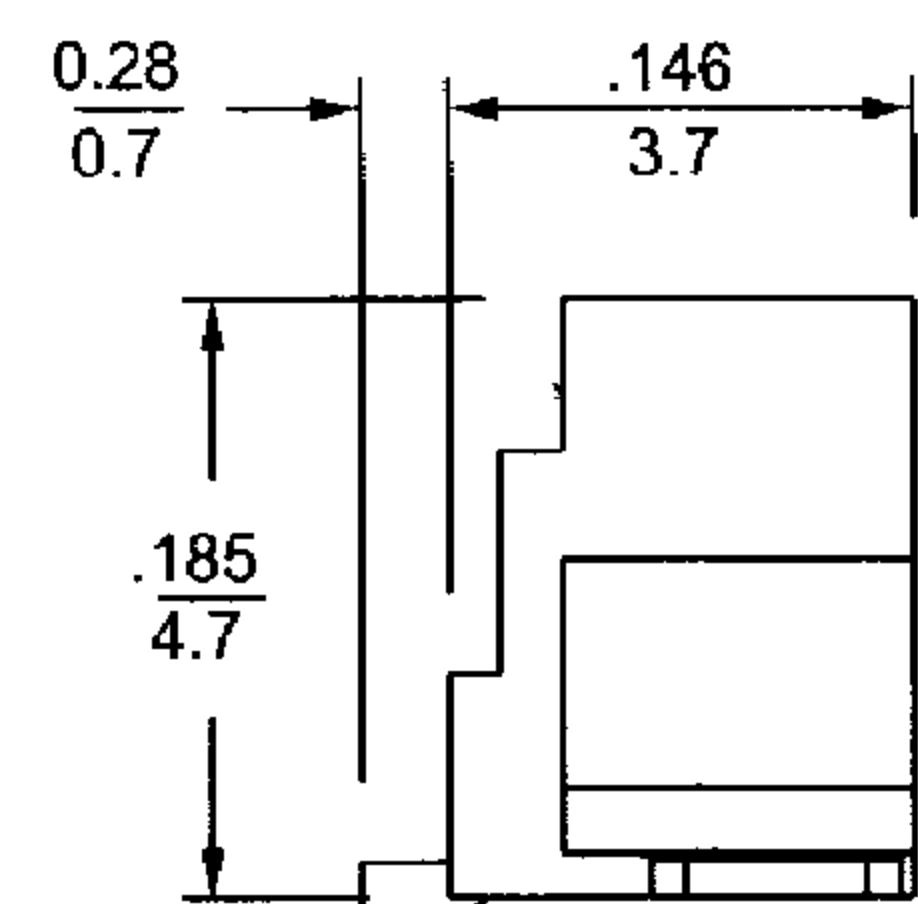
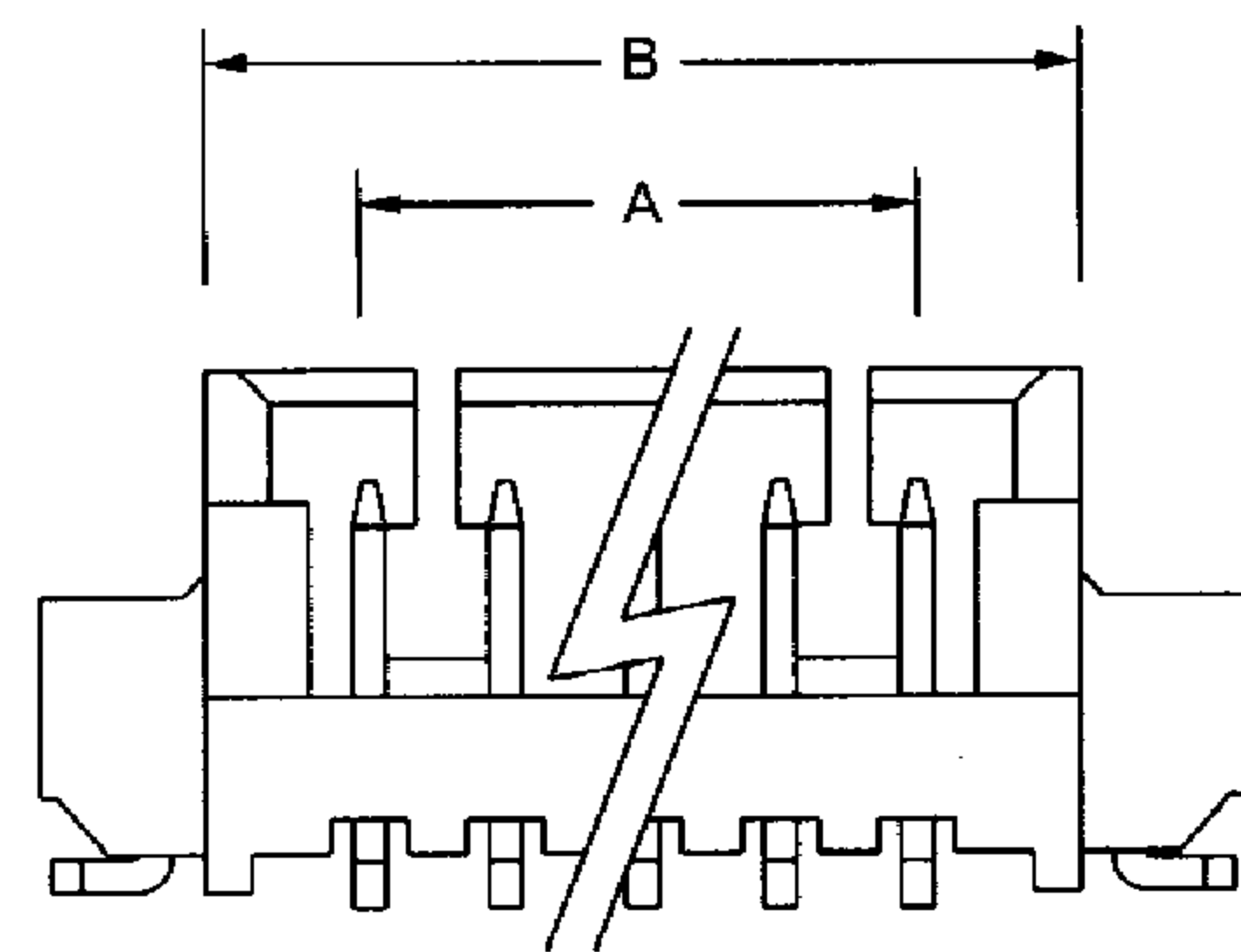
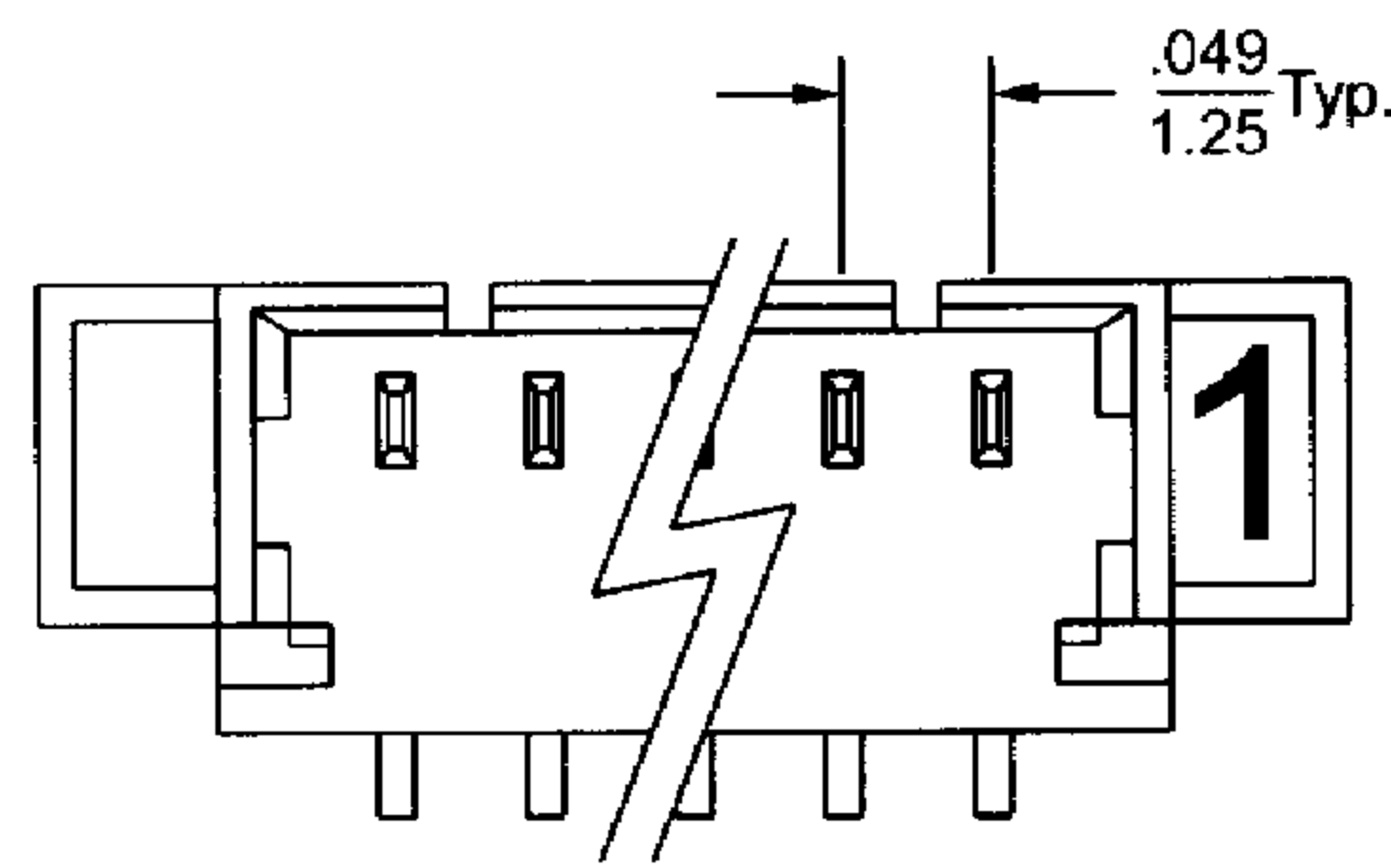
.049" (1.25mm) Pitch Wire-to-Board Headers

12501WS-SMT-N Series Vertical Header, SMT

- 2 ~ 15 circuits available
- Material: 4/6 nylon, UL 94V-0
- Finished: Tin-plated phosphor bronze
- Mates with 12501HM-N series housing



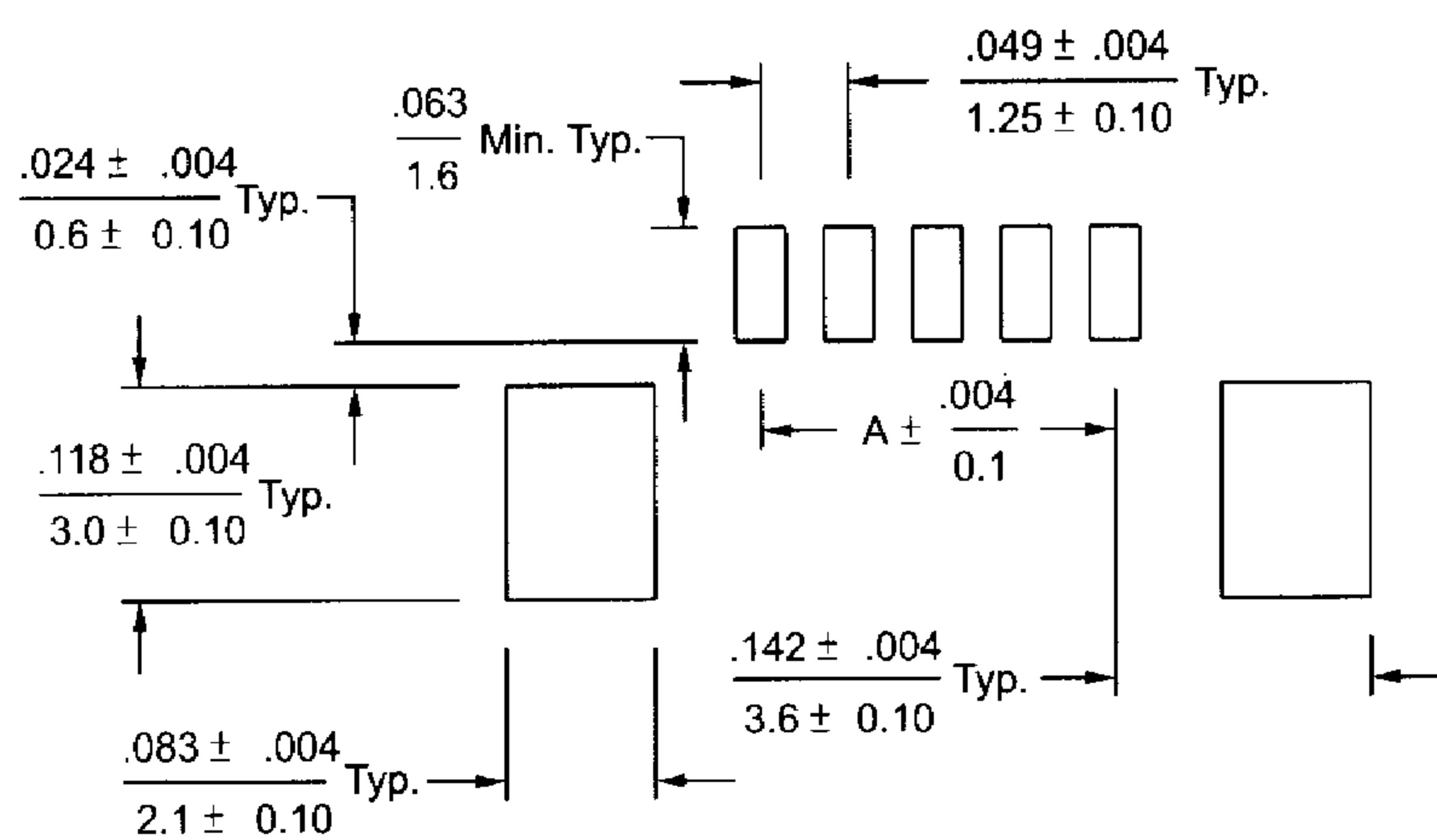
PCB Layout: Solder side



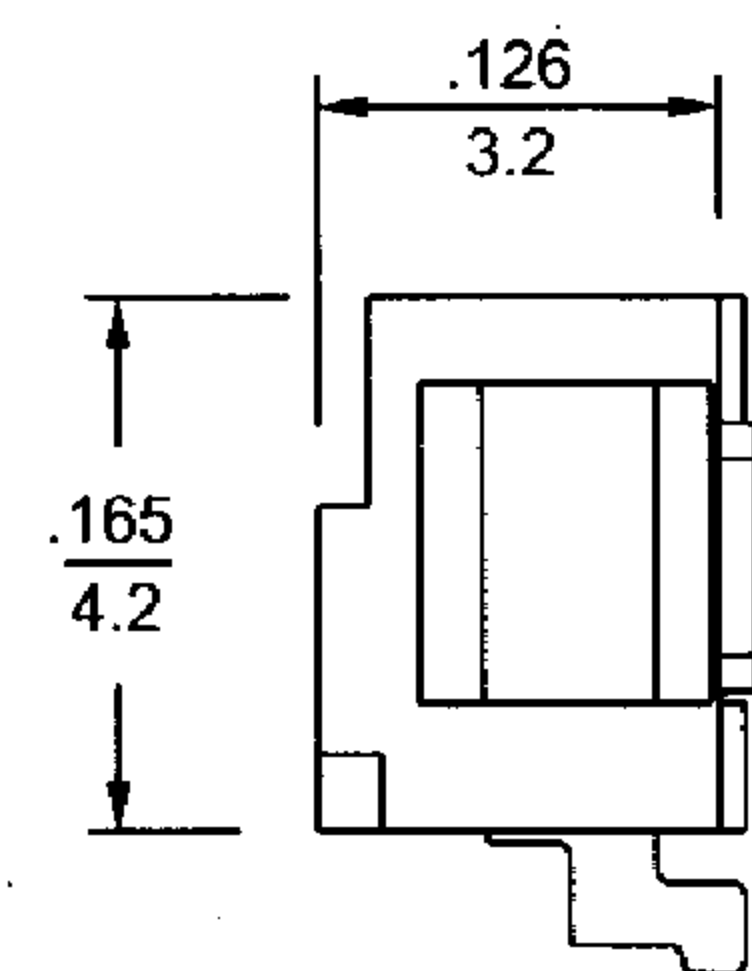
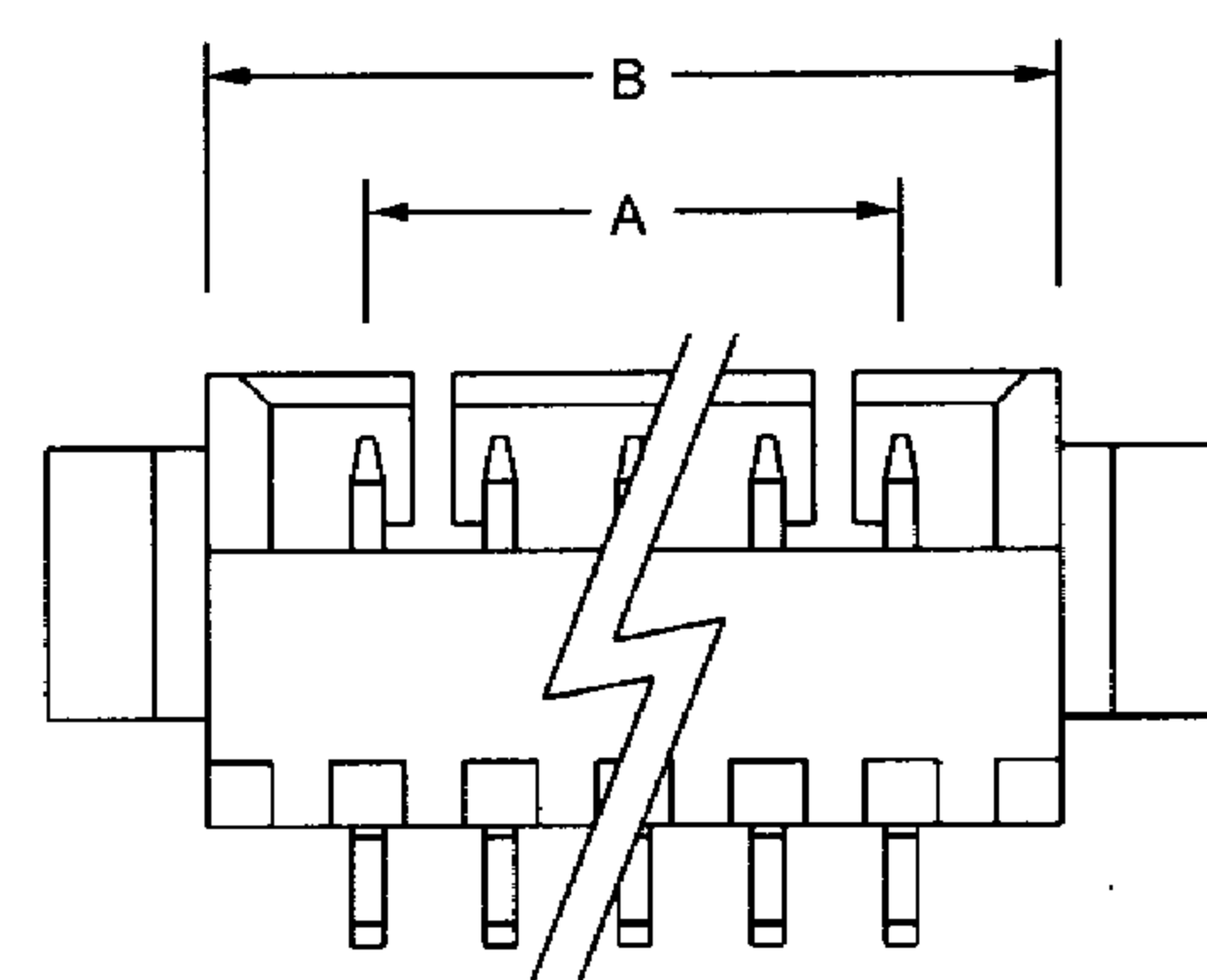
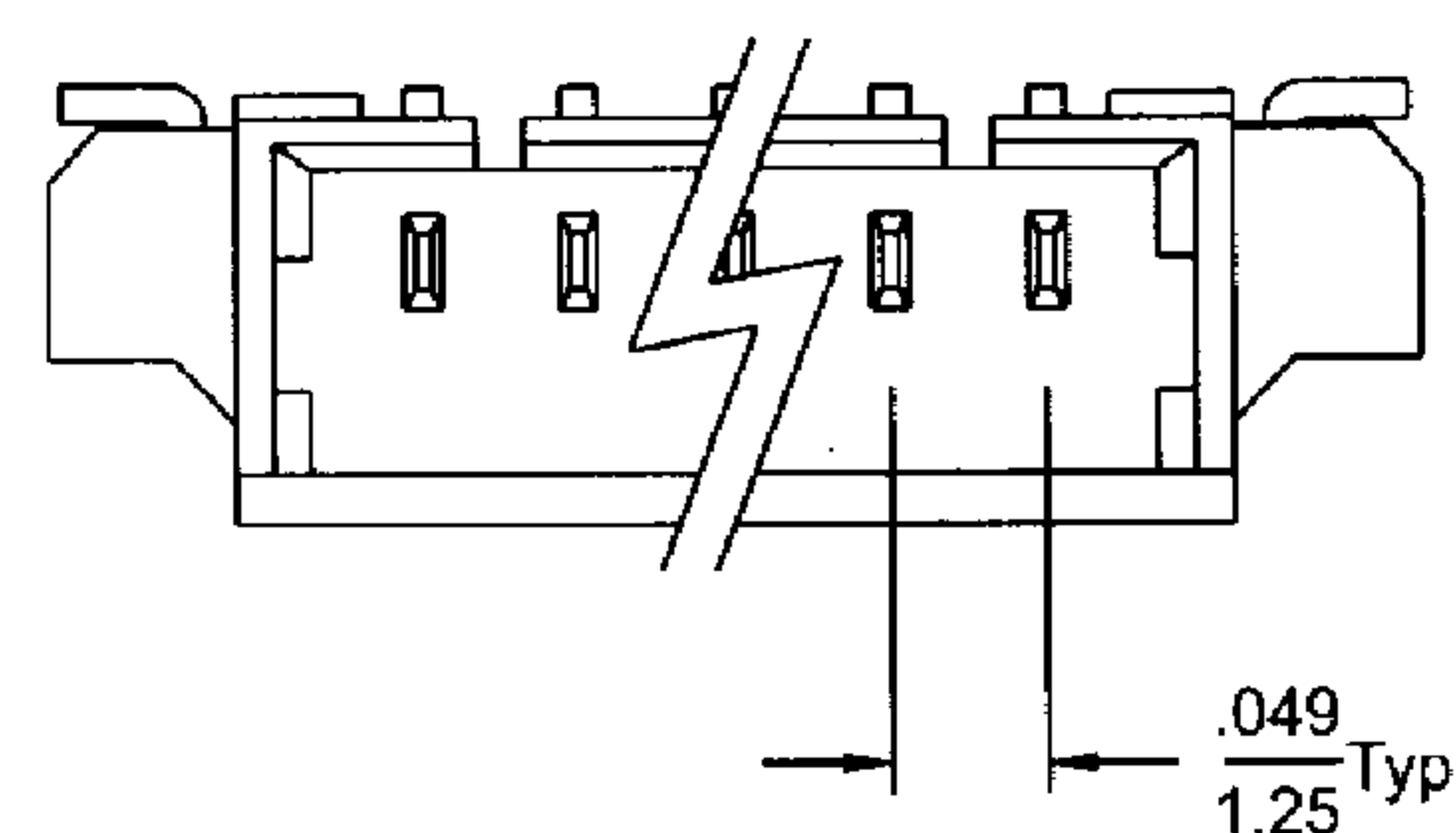
inches
mm

12501WR-SMT-N Series Right Angle Header, SMT

- 2 ~ 15 circuits available
- Material: 4/6 nylon, UL 94V-0
- Finished: Tin-plated phosphor bronze
- Mates with 12501HM-N series housing



PCB Layout: Solder side



inches
mm

Dimensional Information - in (mm)

Circuits	Dim. A	Dim. B	Circuits	Dim. A	Dim. B	Circuits	Dim. A	Dim. B
2	.049 (1.25)	.167 (4.25)	7	.295 (7.50)	.413 (10.50)	12	.541 (13.75)	.659 (16.75)
3	.098 (2.50)	.217 (5.50)	8	.344 (8.75)	.463 (11.75)	13	.591 (15.00)	.709 (18.00)
4	.148 (3.75)	.266 (6.75)	9	.394 (10.00)	.512 (13.00)	14	.640 (16.25)	.758 (19.25)
5	.197 (5.00)	.315 (8.00)	10	.443 (11.25)	.561 (14.25)	15	.689 (17.50)	.807 (20.50)
6	.246 (6.25)	.364 (9.25)	11	.492 (12.50)	.610 (15.50)			