

.049" (1.25mm) Pitch Wire-to-Board Connector

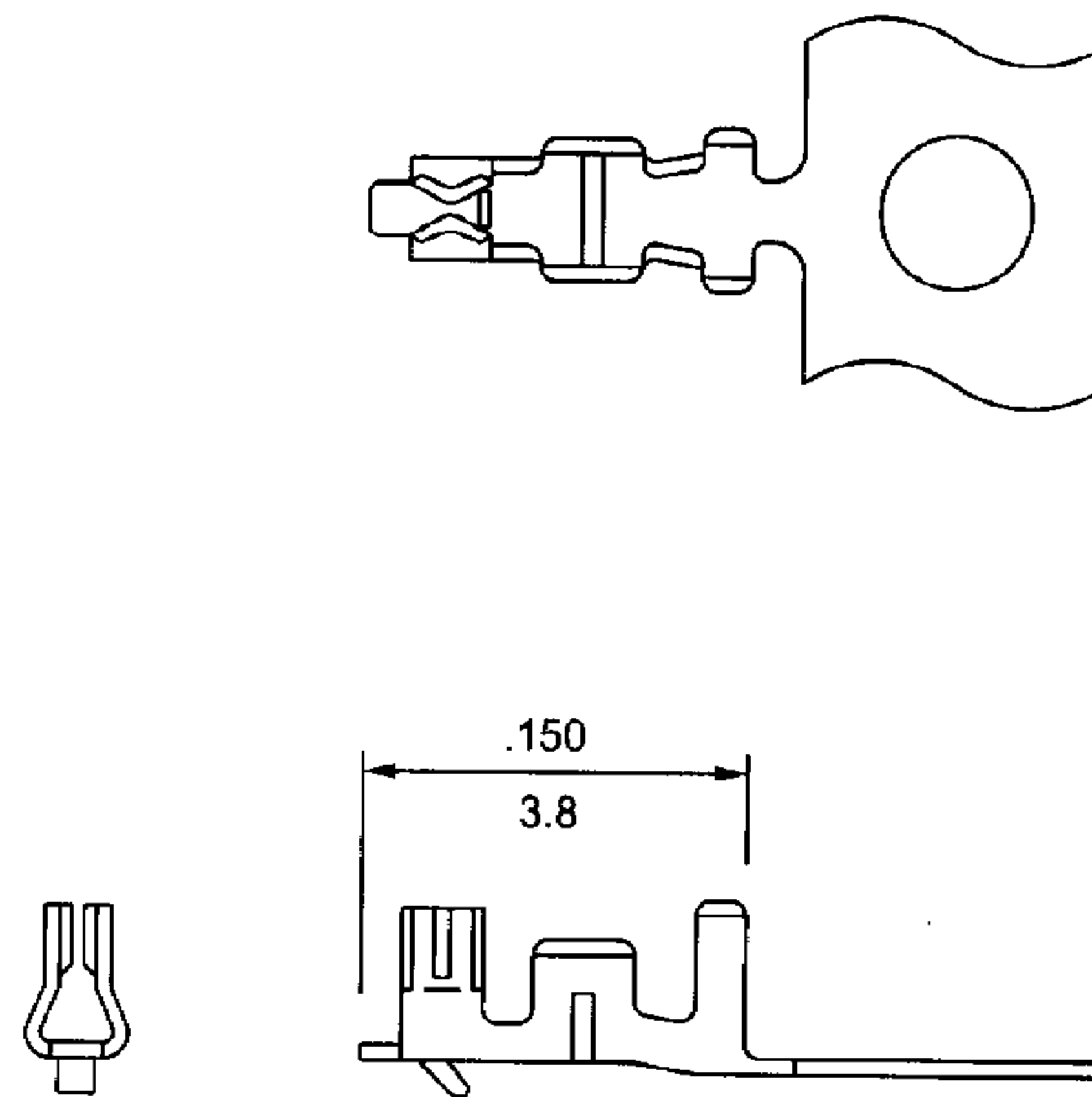
Specifications:

- Current rating: 1A
- Voltage rating: 100V AC, DC
- Dielectric withstanding voltage: 500V AC/minute
- Insulation resistance: 500MΩ min.
- Contact resistance: 20mΩ max.
- Ambient temperature range: -25 °C ~ 85 °C (including temperature rise)

12503T Series Crimp Terminal

inches
mm

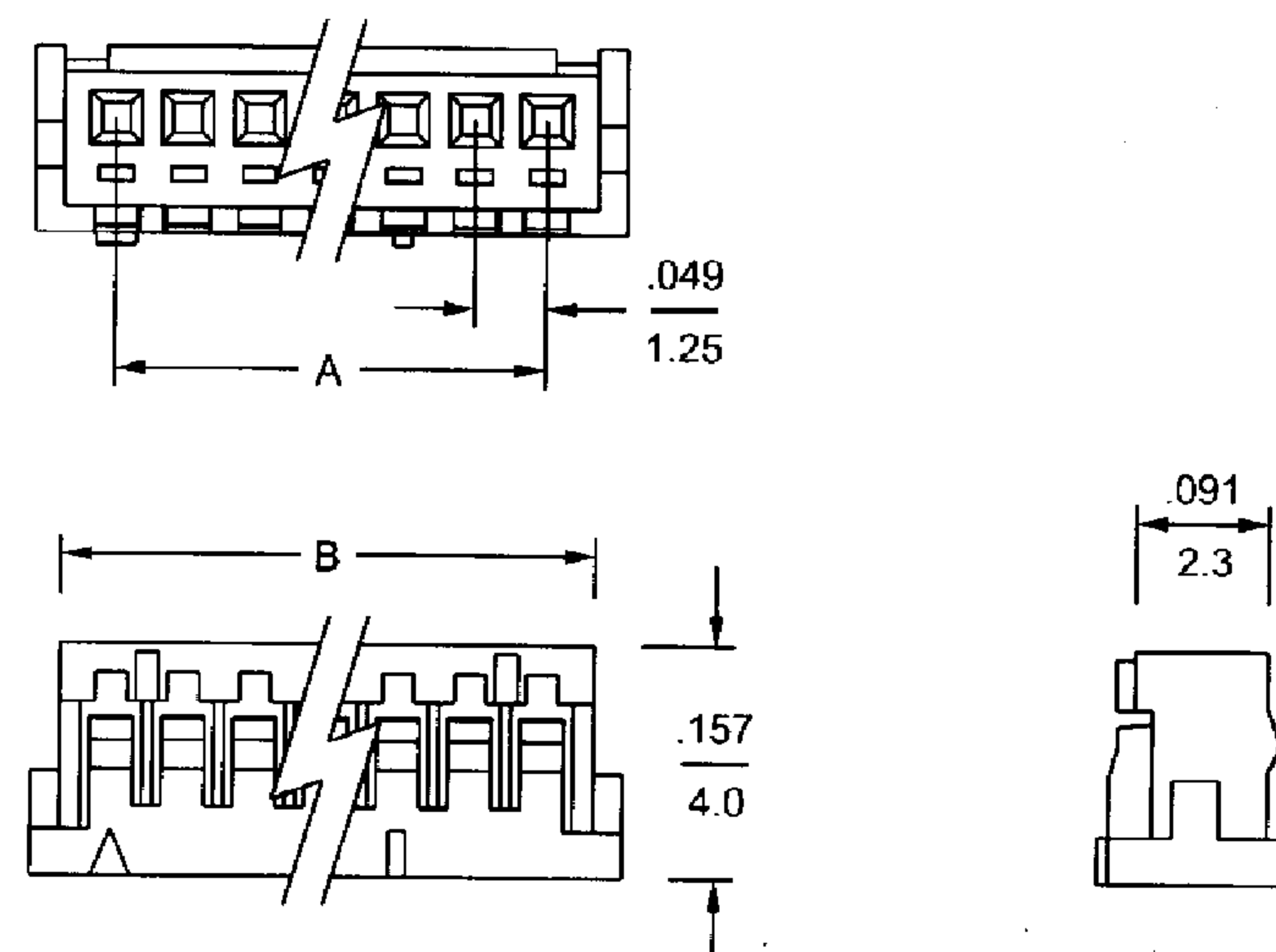
- Material: Phosphor bronze
- Finished: Tin-plated
- Used in 12503H, 12504H series housings
- Wire range: AWG #28 ~ #32
- Thickness: 0.15mm



12503H-N Series Receptacle Housing

inches
mm

- 2 ~ 15 circuits available
- Material: Nylon 66, UL 94V-0
- Accepts 12503T terminal
- Mates with 12503W headers



Dimensional Information - in (mm)

Circuits	Dim. A	Dim. B	Circuits	Dim. A	Dim. B	Circuits	Dim. A	Dim. B
2	0.049 (1.25)	0.120 (3.05)	8	0.344 (8.75)	0.415 (10.55)	14	0.640 (16.25)	0.711 (18.05)
3	0.098 (2.50)	0.169 (4.30)	9	0.394 (10.00)	0.465 (11.80)	15	0.689 (17.50)	0.768 (19.50)
4	0.148 (3.75)	0.219 (5.55)	10	0.443 (11.25)	0.514 (13.05)			
5	0.197 (5.00)	0.268 (6.80)	11	0.492 (12.50)	0.563 (14.30)			
6	0.246 (6.25)	0.317 (8.05)	12	0.541 (13.75)	0.612 (15.55)			
7	0.295 (7.50)	0.366 (9.30)	13	0.591 (15.00)	0.661 (16.80)			