

.049" (1.25mm) Pitch Board-In Connector

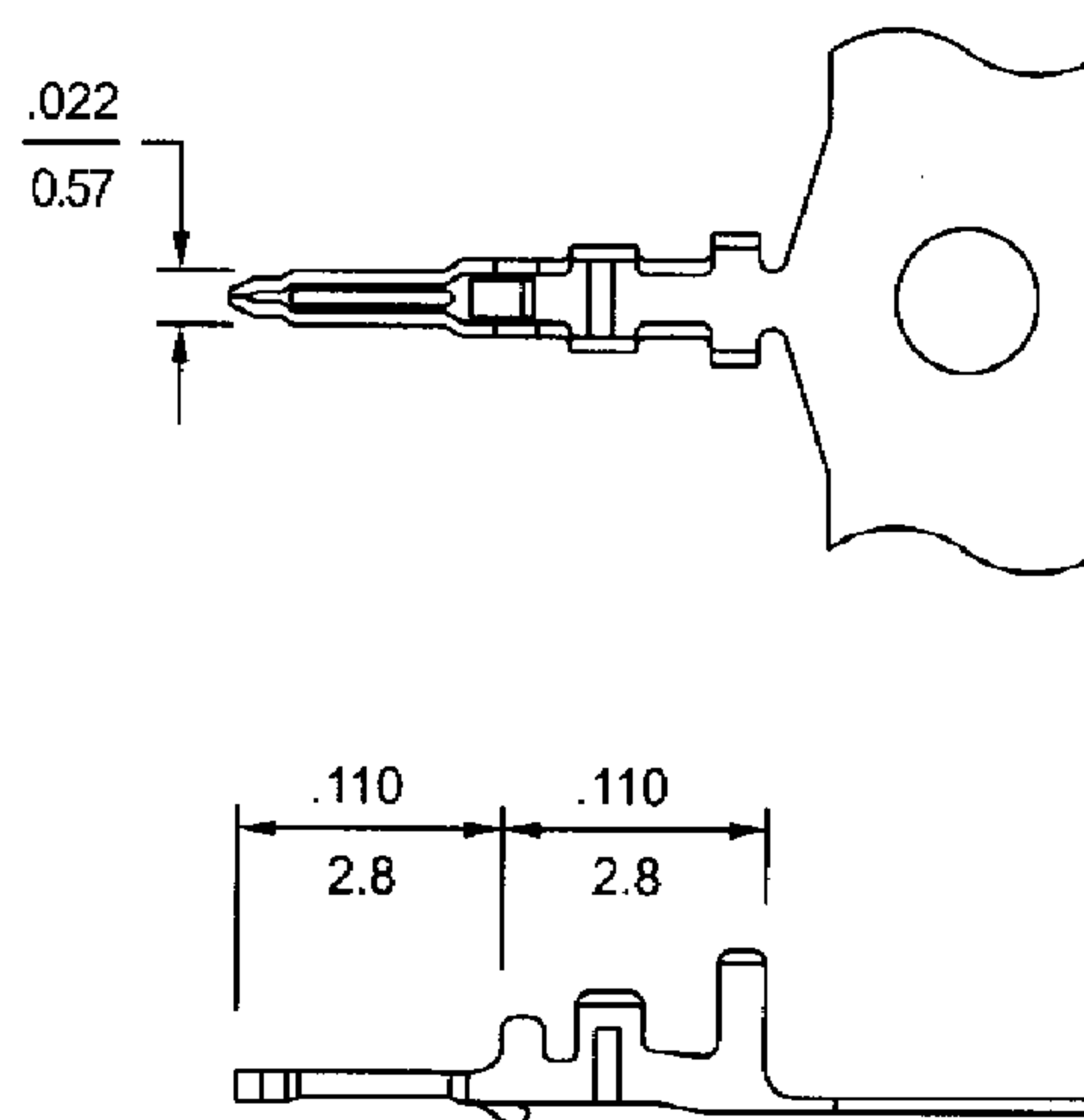
Specifications:

- Current rating: 1A (0.8A for #32 AWG)
- Voltage rating: 125V
- Withstanding voltage: 250V AC/minute
- Insulation resistance: 100MΩ min.
- Contact resistance on crimped portion: 5mΩ max.
- Temperature rise: -40 °C ~ 85 °C (including temperature rise)

12505T Series Crimp Terminal

inches
mm

- Material: Phosphor bronze
- Finished: Tin-plated
- Used in 12505H series housing
- Wire range: AWG #26 ~ #32
- Thickness: 0.15mm



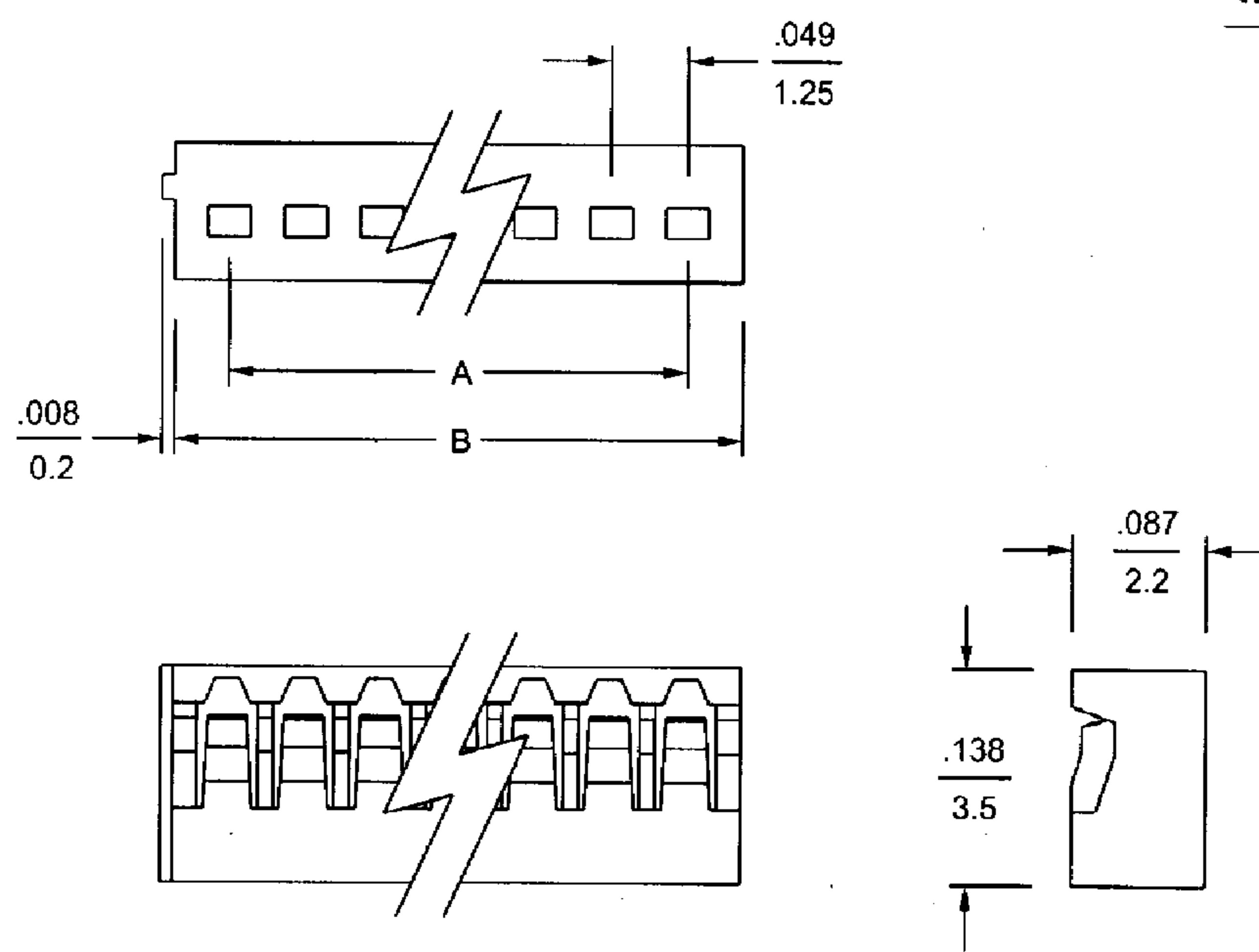
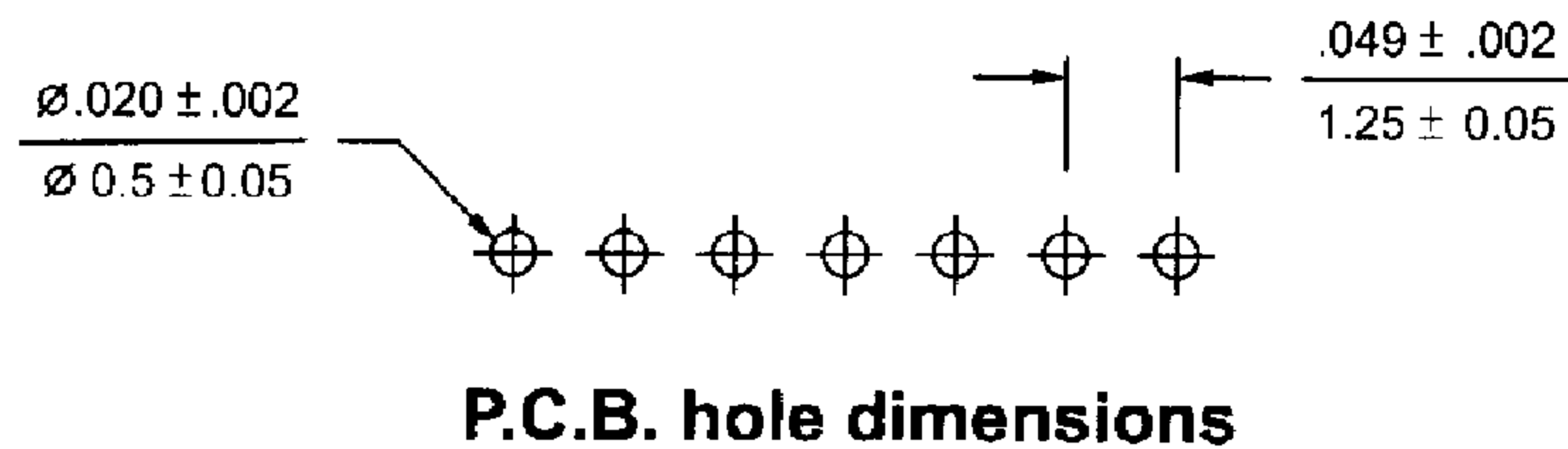
Ordering Information

Part No.	Wire size
12505T1	#28 ~ #32
12505T2	#26 ~ #28

12505H-N Series Crimp Terminal Housing

inches
mm

- 2 ~ 15 circuits available
- Material: UL 94V-0 nylon 66
- Accepts 12505T series terminals



Dimensional Information - in (mm)

Circuits	Dim. A	Dim. B	Circuits	Dim. A	Dim. B	Circuits	Dim. A	Dim. B
2	.049 (1.25)	.120 (3.05)	7	.295 (7.50)	.366 (9.30)	12	.541 (13.75)	.612 (15.55)
3	.098 (2.50)	.169 (4.30)	8	.344 (8.75)	.415 (10.55)	13	.591 (15.00)	.661 (16.80)
4	.148 (3.75)	.219 (5.55)	9	.394 (10.00)	.465 (11.80)	14	.640 (16.25)	.711 (18.05)
5	.197 (5.00)	.268 (6.80)	10	.443 (11.25)	.514 (13.05)	15	.689 (17.50)	.760 (19.30)
6	.246 (6.25)	.317 (8.05)	11	.492 (12.50)	.563 (14.30)			