

.049"(1.25mm) Pitch Wire-to-Board Connector

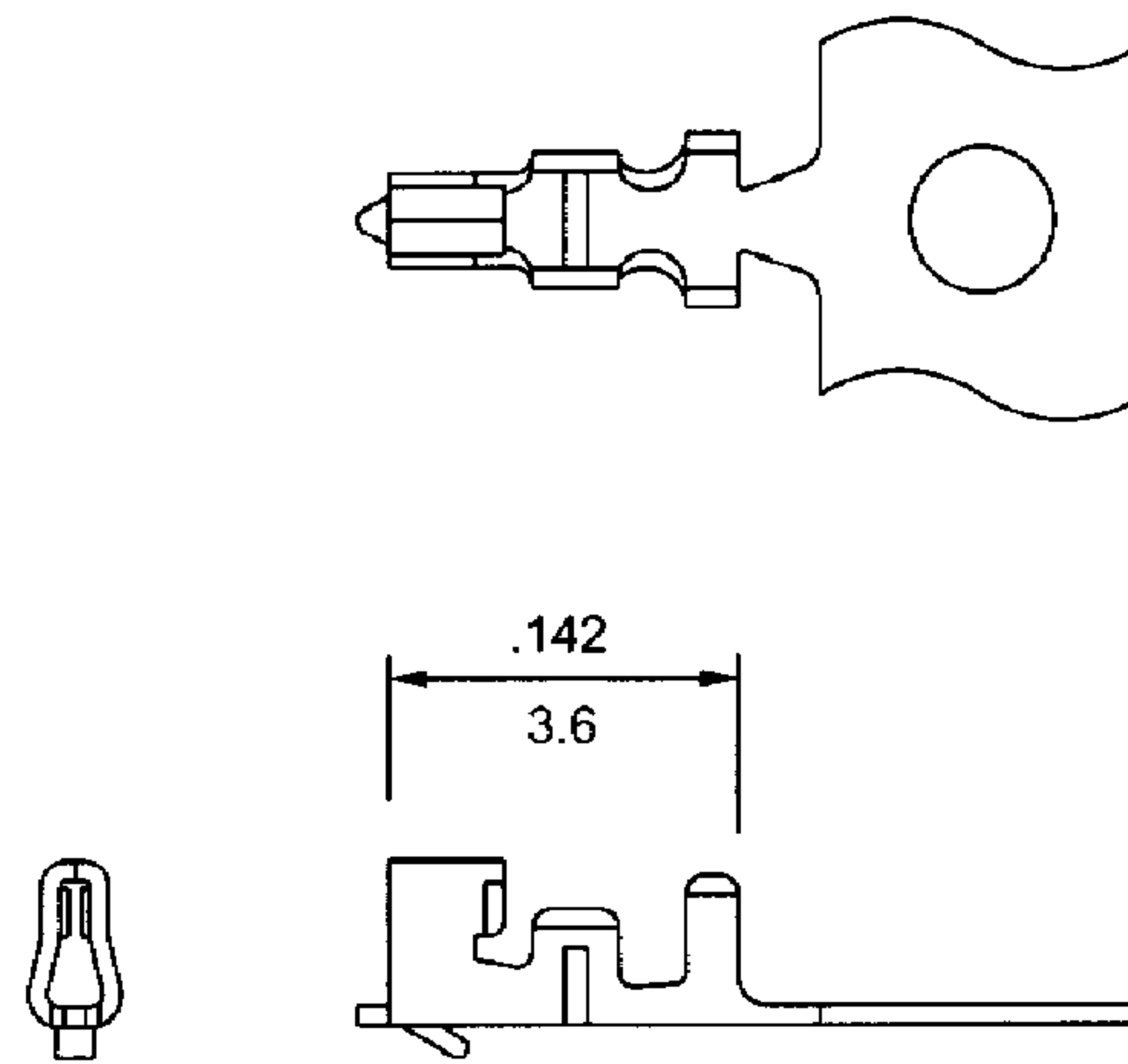
Specifications:

- Current rating: 1A
- Voltage rating: 100V AC, DC
- Withstanding voltage: 500V AC/minute
- Insulation resistance: 100M Ω min.
- Contact resistance: 20m Ω max.
- Temperature rise: -25 °C ~ 85 °C (including temperature rise)

12506T Series Crimp Terminal

inches
mm

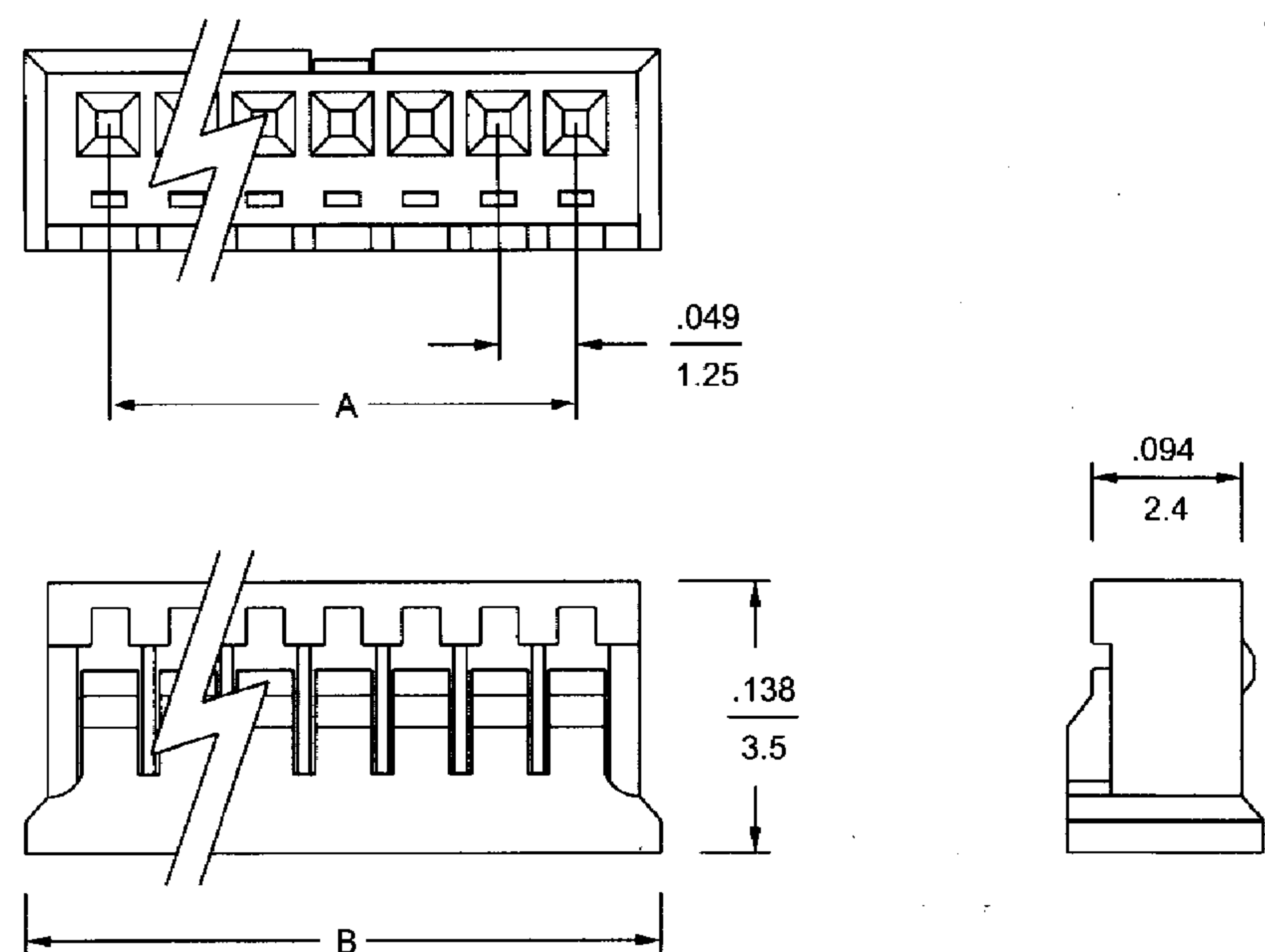
- Material: Phosphor bronze
- Finished: Tin-plated
- Used in 12506H housing
- Wire range: AWG #28 ~ #32
- Thickness: 0.2mm



12506H-N Series Crimp Terminal Housing

inches
mm

- 2 ~ 15 circuits available
- Material: Nylon 66, UL 94V-0
- Standard color: Orange
- Accepts 12506T terminal
- Mates with 12506W headers



Dimensional Information - in (mm)

Circuits	Dim. A	Dim. B	Circuits	Dim. A	Dim. B	Circuits	Dim. A	Dim. B
2	.049 (1.25)	.156 (3.95)	7	.295 (7.50)	.402 (10.20)	12	.541 (13.75)	.648 (16.45)
3	.098 (2.50)	.205 (5.20)	8	.344 (8.75)	.451 (11.45)	13	.591 (15.00)	.697 (17.70)
4	.148 (3.75)	.254 (6.45)	9	.394 (10.00)	.500 (12.70)	14	.640 (16.25)	.746 (18.95)
5	.197 (5.00)	.303 (7.70)	10	.443 (11.25)	.549 (13.95)	15	.689 (17.50)	.795 (20.20)
6	.246 (6.25)	.352 (8.95)	11	.492 (12.50)	.598 (15.20)			