

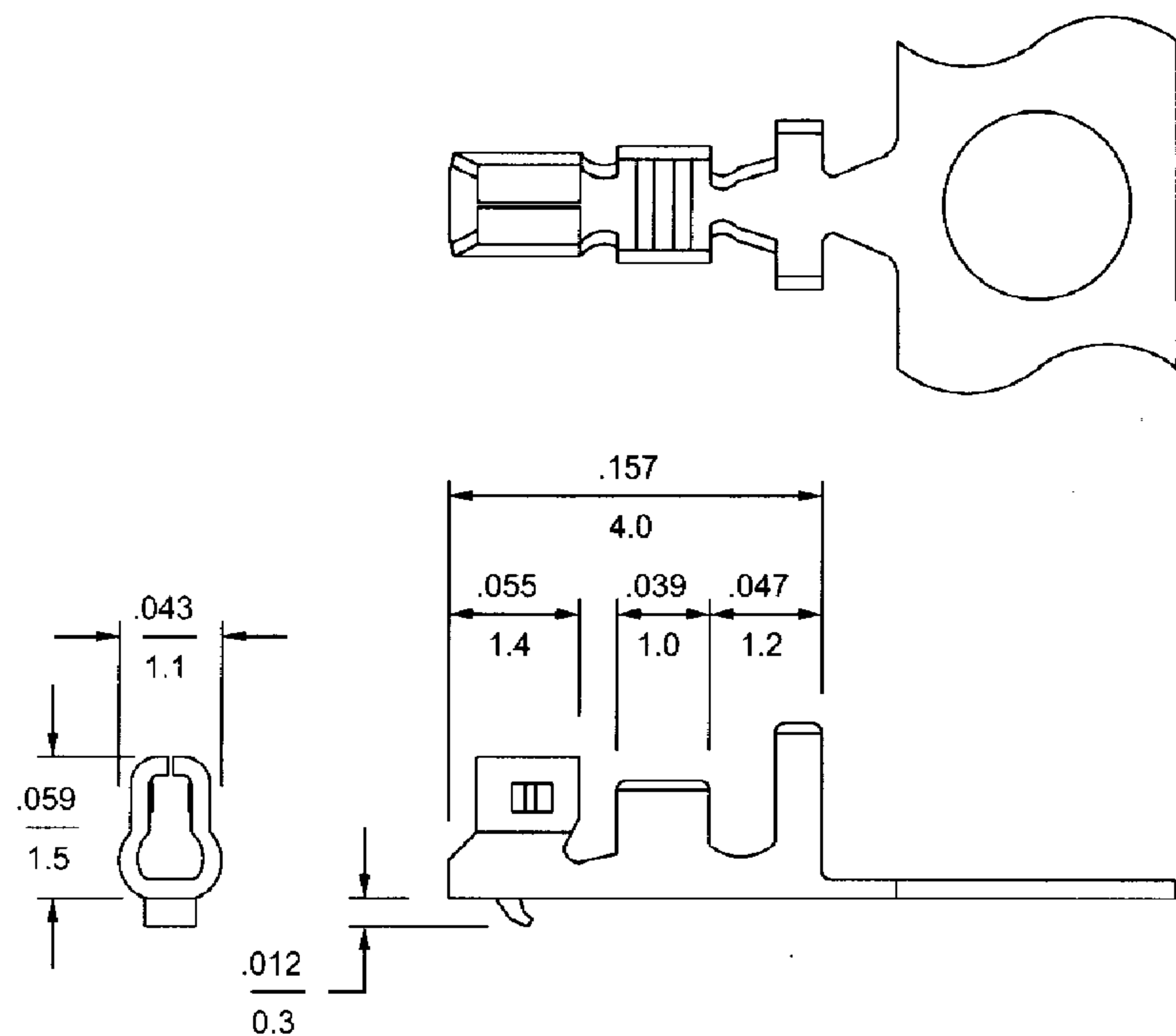
# .059"(1.5mm) Crimp Terminal Housing

## Specifications:

- Current rating: 0.7A AC, DC (AWG #28)
- Voltage rating: 50V AC, DC
- Withstanding voltage: 500V AC/minute
- Insulation resistance: 500M $\Omega$  min.
- Contact resistance: Initial value / 20m  $\Omega$  max.  
After environmental testing / 30m  $\Omega$  max.
- Temperature rise: -25 °C ~ 85 °C max.  
(including temperature rise)

## 15001T Series Crimp Terminal

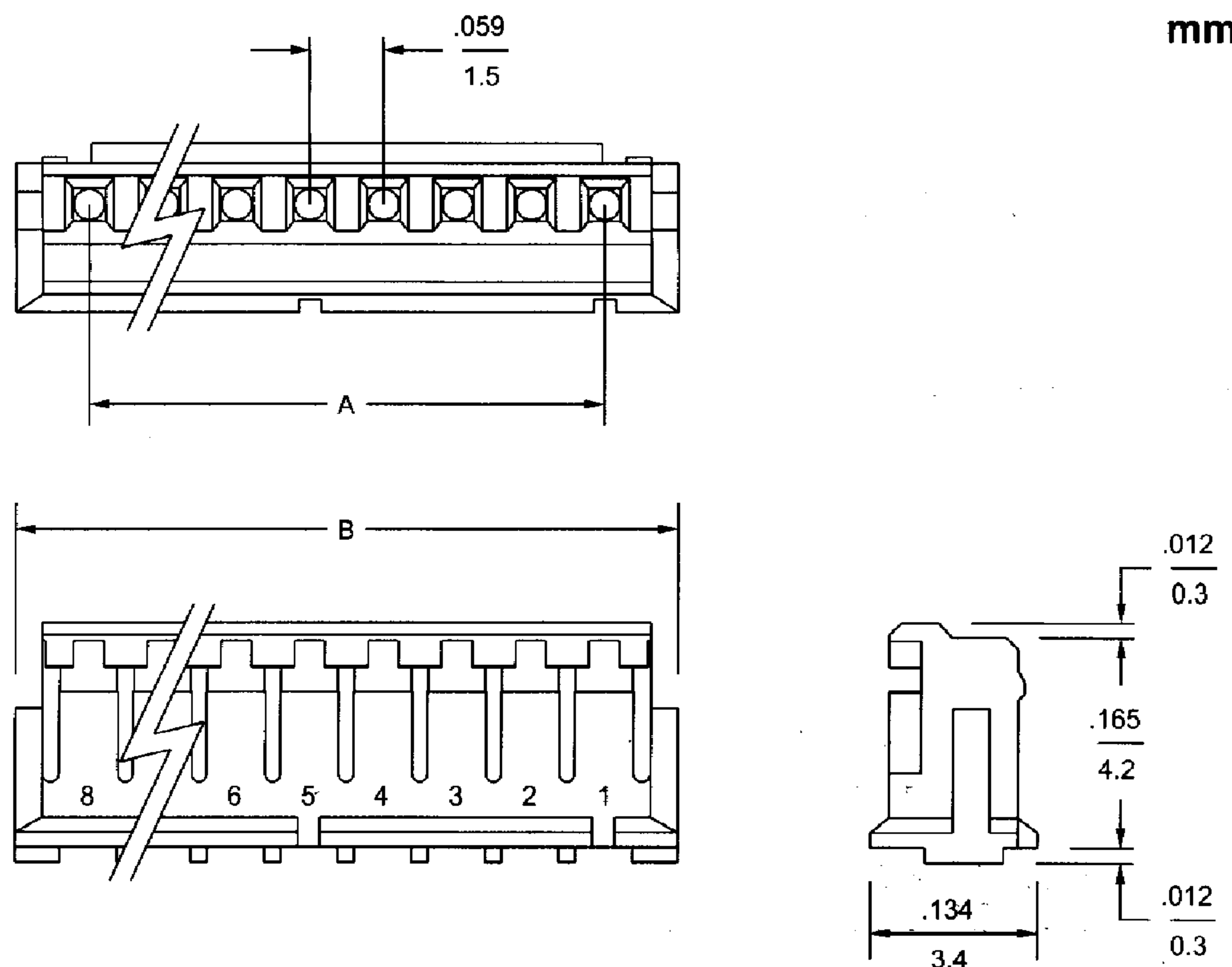
- Material: Phosphor bronze
- Finished: Tin-plated
- Used in 15001H-N series housing
- Wire range: AWG #28 ~ #32
- Thickness: 0.2mm



inches  
mm

## 15001H-N Series Crimp Terminal Housing

- 2 ~ 13 circuits available
- Material: Nylon 66, UL 94V-0
- Standard color: White
- Accepts 15001T series terminals
- Mates with 15001W series headers



inches  
mm

### Dimensional Information - in ( mm )

Circuits	Dim. A	Dim. B	Circuits	Dim. A	Dim. B	Circuits	Dim. A	Dim. B
2	0.059 ( 1.5 )	0.177 ( 4.5 )	6	0.295 ( 7.5 )	0.413 ( 10.5 )	10	0.531 ( 13.5 )	0.650 ( 16.5 )
3	0.118 ( 3.0 )	0.236 ( 6.0 )	7	0.354 ( 9.0 )	0.472 ( 12.0 )	11	0.591 ( 15.0 )	0.709 ( 18.0 )
4	0.177 ( 4.5 )	0.295 ( 7.5 )	8	0.413 ( 10.5 )	0.531 ( 13.5 )	12	0.650 ( 16.5 )	0.768 ( 19.5 )
5	0.236 ( 6.0 )	0.354 ( 9.0 )	9	0.472 ( 12.0 )	0.591 ( 15.0 )	13	0.709 ( 18.0 )	0.827 ( 21.0 )