

# .079"(2.0mm) Center Wire-to-Board System

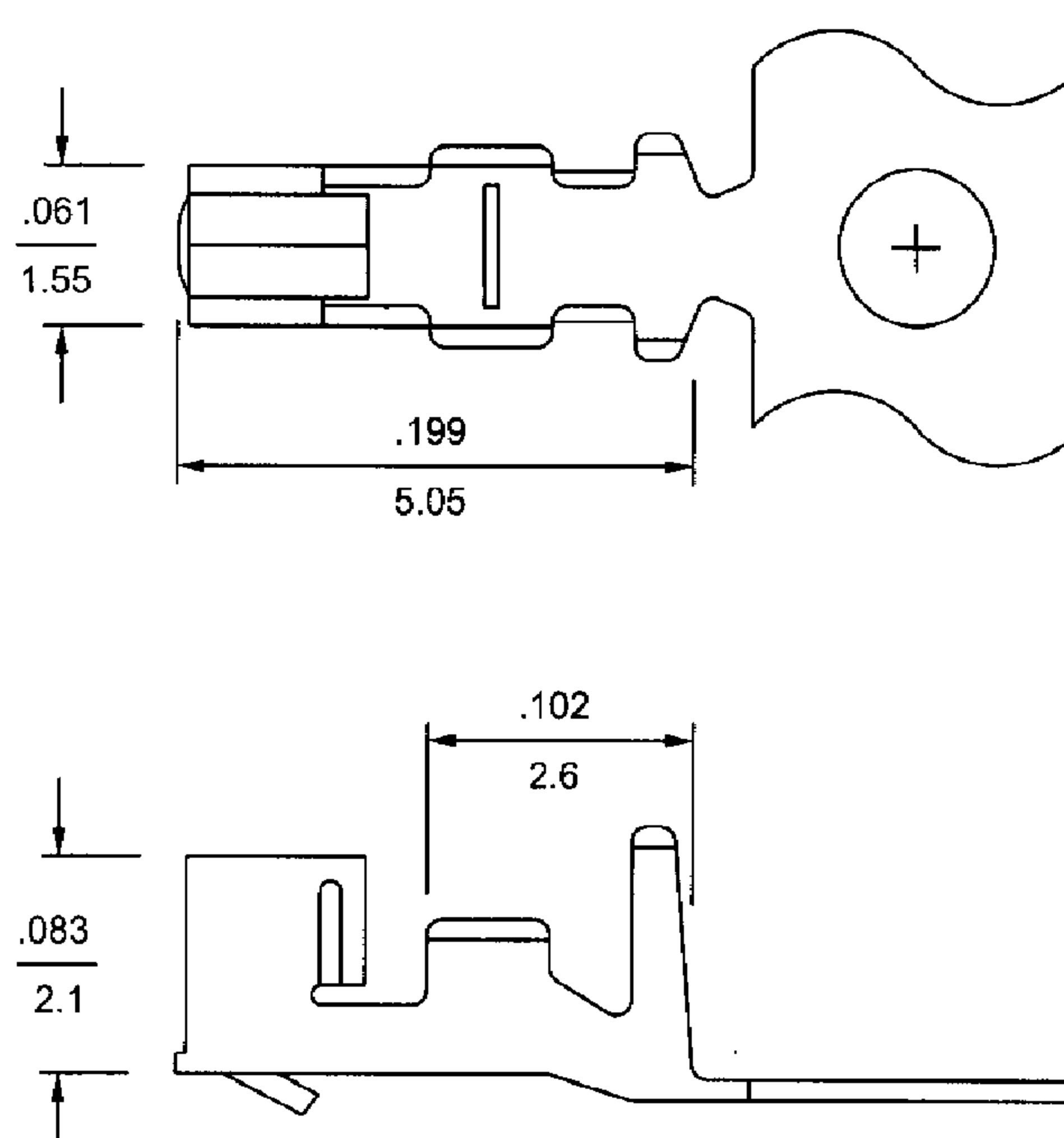
## Specifications:

- Current rating: 2A AC, DC
- Voltage rating: 100V AC, DC
- Dielectric withstanding voltage: 800V AC/minute
- Recommended P.C.B. thickness: .063"(1.6mm)
- Insulation resistance: 1000M  $\Omega$  min.
- Contact resistance: 20m  $\Omega$  max.
- Ambient temperature range: -25 °C ~ 85 °C max. (including temperature rise)

## 20003T Series Crimp Terminal

inches  
mm

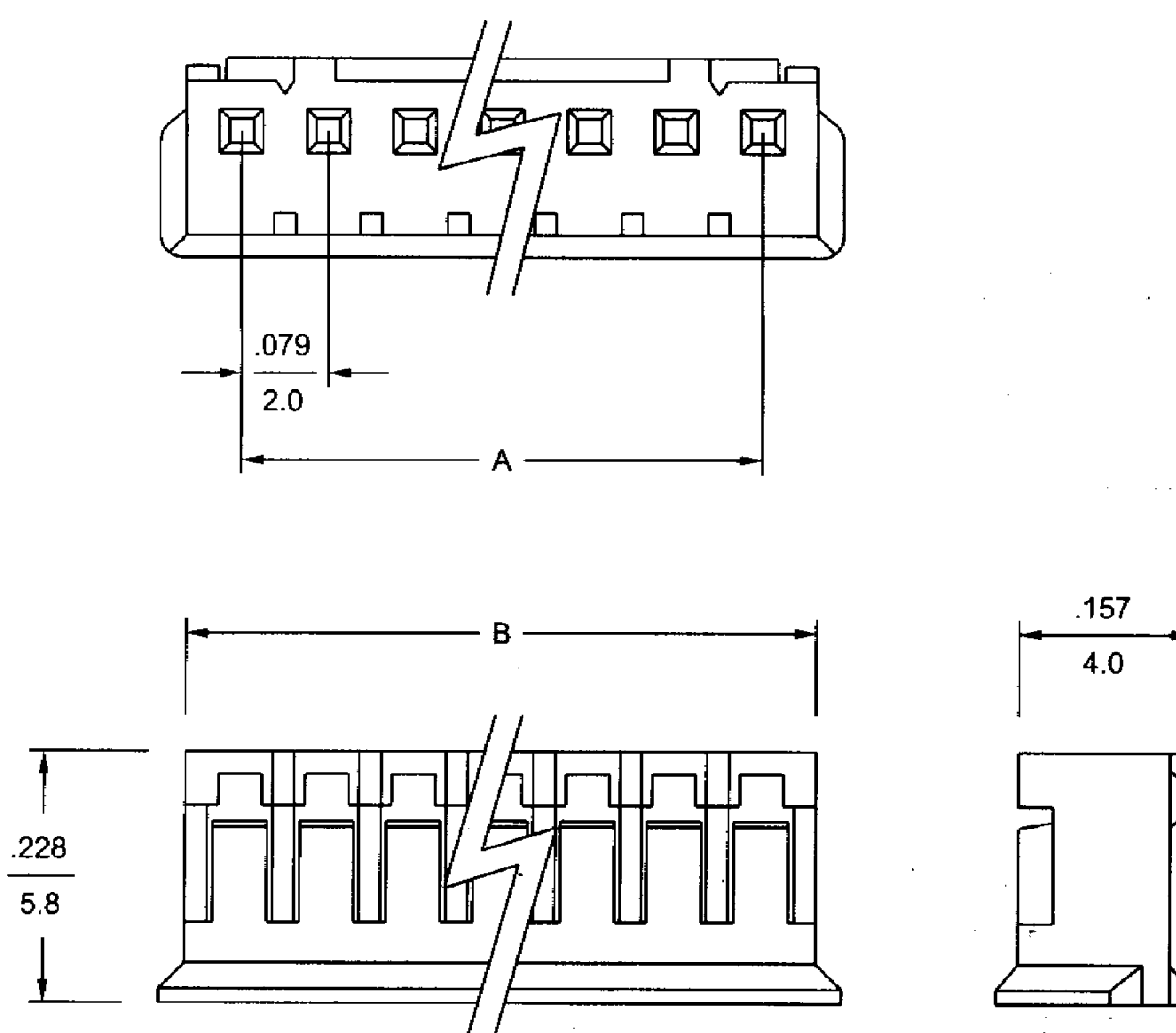
- Material: Phosphor bronze
- Finished: Tin-plated
- Used in 20003H-N series housing
- Wire range: AWG #24 ~ #28
- Thickness: 0.2mm



## 20003H-N Series Crimp Terminal Housing

inches  
mm

- 2 ~ 15 circuits available
- Material: UL 94V-0 nylon 66
- Standard color: Orange
- Accepts 20003T terminal
- Mates with 20003W series headers



### Dimensional Information - in ( mm )

Circuits	Dim. A	Dim. B	Circuits	Dim. A	Dim. B	Circuits	Dim. A	Dim. B
2	0.079 ( 2.0)	0.177 ( 4.5)	7	0.472 ( 12.0)	0.571 ( 14.5)	12	0.866 ( 22.0)	0.965 ( 24.5)
3	0.157 ( 4.0)	0.256 ( 6.5)	8	0.551 ( 14.0)	0.650 ( 16.5)	13	0.945 ( 24.0)	1.043 ( 26.5)
4	0.236 ( 6.0)	0.335 ( 8.5)	9	0.630 ( 16.0)	0.728 ( 18.5)	14	1.024 ( 26.0)	1.122 ( 28.5)
5	0.315 ( 8.0)	0.413 ( 10.5)	10	0.709 ( 18.0)	0.807 ( 20.5)	15	1.102 ( 28.0)	1.201 ( 30.5)
6	0.394 ( 10.0)	0.492 ( 12.5)	11	0.787 ( 20.0)	0.886 ( 22.5)			