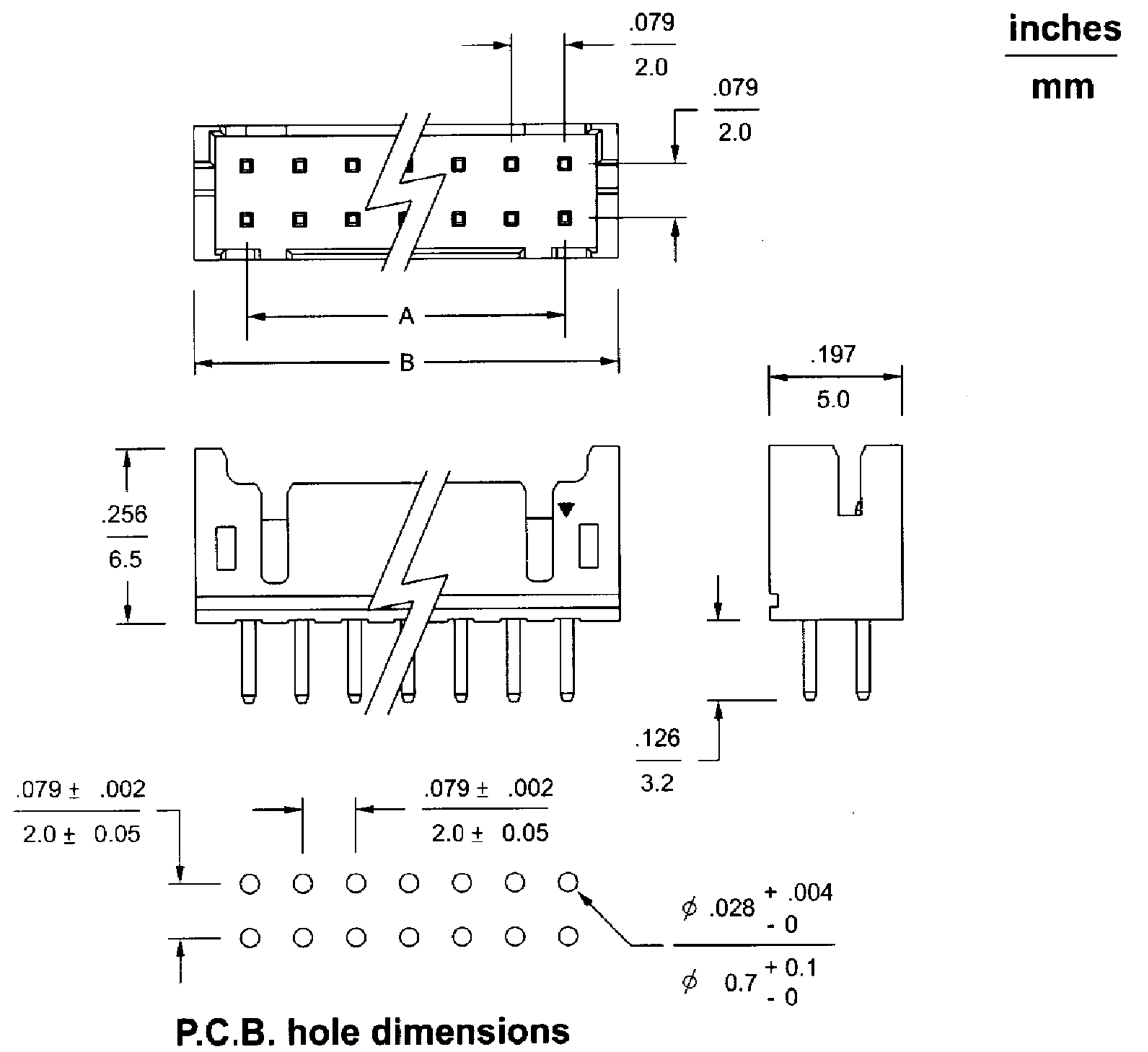


.079"(2.0mm) Center Headers

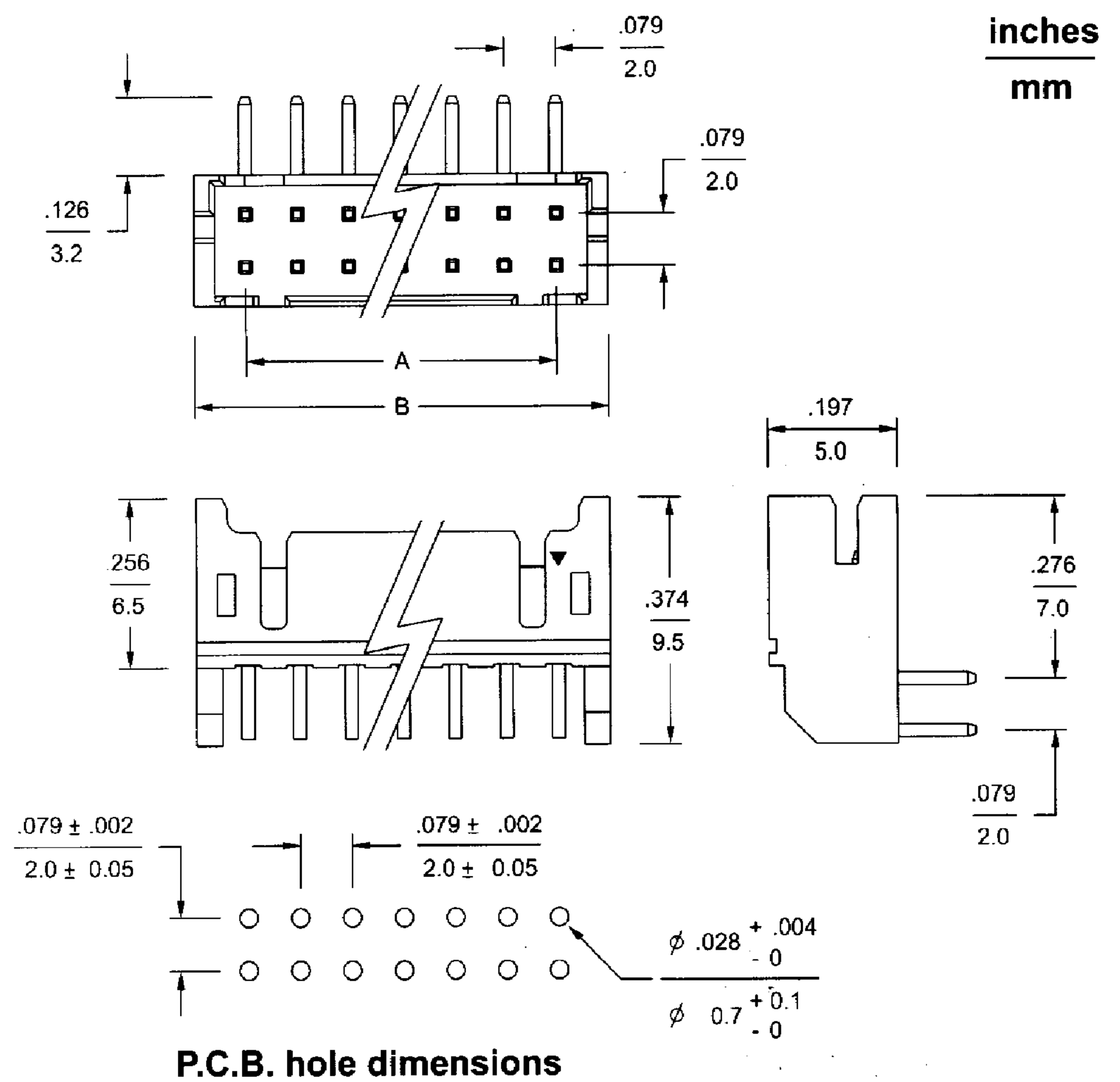
20004WS-N Series Vertical Header

- 10 ~ 32 circuits available
- .020" (0.5mm) straight square wire pins
- Contact: Tin-plated brass
- Insulation: Nylon 66, UL 94V-0
- Standard color: Nature
- Mates with 20004H-N series housing



20004WR-N Series Right Angle Header

- 10 ~ 32 circuits available
- .020" (0.5mm) right angle square wire pins
- Contact: Tin-plated brass
- Insulation: Nylon 66, UL 94V-0
- Standard color: Nature
- Mates with 20004H-N series housing



Dimensional Information - in (mm)

Circuits	Dim. A	Dim. B	Circuits	Dim. A	Dim. B	Circuits	Dim. A	Dim. B
10	0.315 (8.0)	0.472 (12.0)	18	0.630 (16.0)	0.787 (20.0)	26	0.945 (24.0)	1.102 (28.0)
12	0.394 (10.0)	0.551 (14.0)	20	0.709 (18.0)	0.866 (22.0)	28	1.024 (26.0)	1.181 (30.0)
14	0.472 (12.0)	0.630 (16.0)	22	0.787 (20.0)	0.945 (24.0)	30	1.102 (28.0)	1.260 (32.0)
16	0.551 (14.0)	0.709 (18.0)	24	0.866 (22.0)	1.024 (26.0)	32	1.181 (30.0)	1.339 (34.0)