

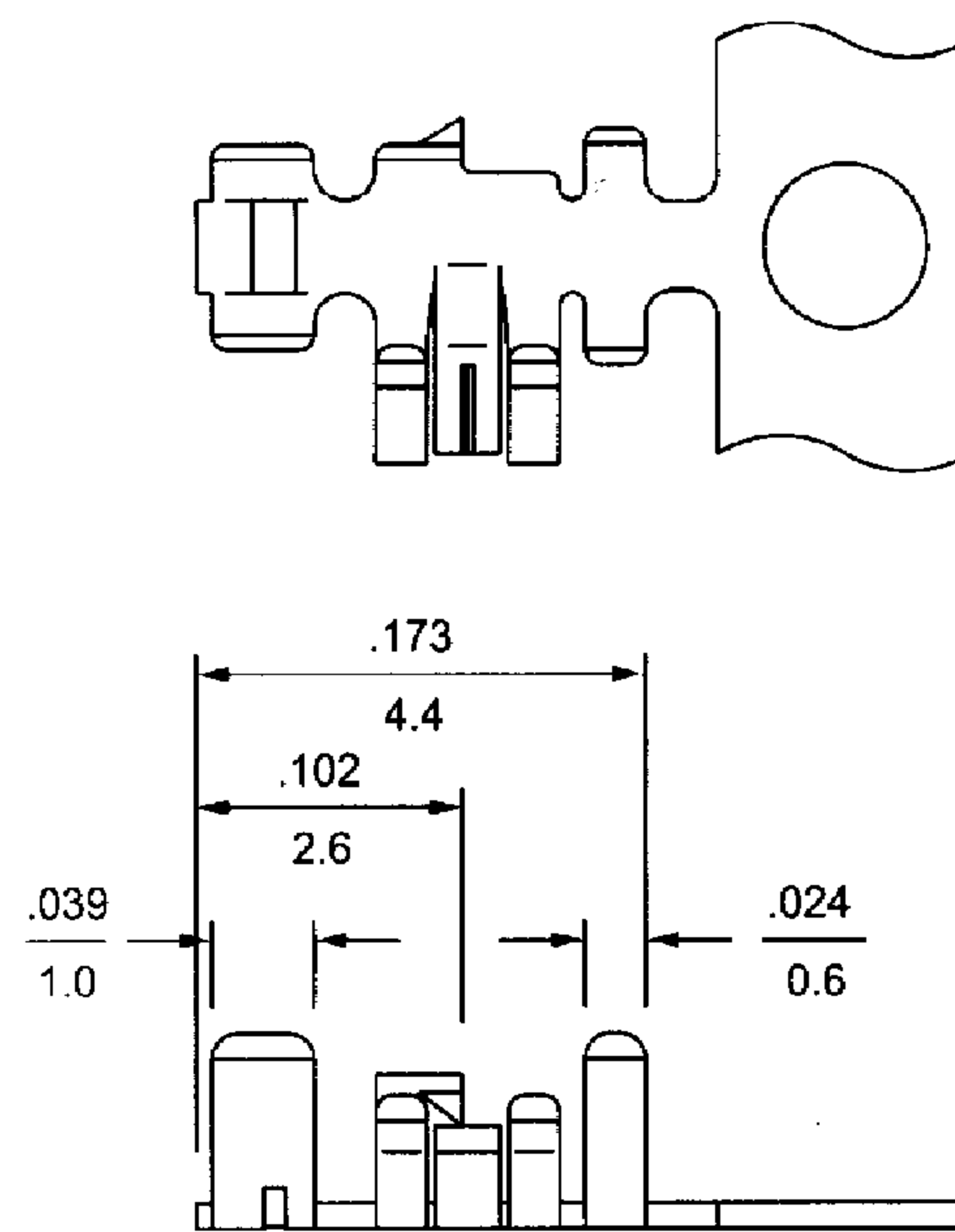
.079"(2.0mm) Crimp Terminal Housing

Specifications:

- Current rating: 2A AC, DC
- Voltage rating: 100V AC, DC
- Withstanding voltage: 800V AC/minute
- Insulation resistance: 1000M Ω min.
- Contact resistance: Initial value/20m Ω max.
- Temperature rise: -25 °C ~ 85 °C max. (including temperature rise)
- Applicable P.C. board thickness: .063"(1.6mm)

20005T Series Crimp Terminal

- Material: Phosphor bronze
- Finished: Tin-plated
- Used in 20005H-N series housing
- Wire range: AWG #22 ~ #28
- Thickness: 0.25mm

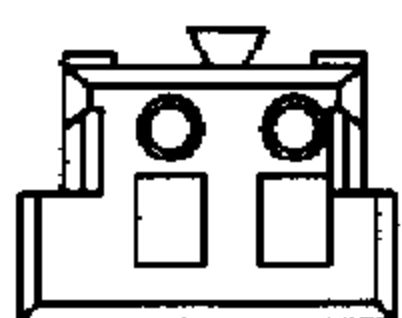


inches
mm

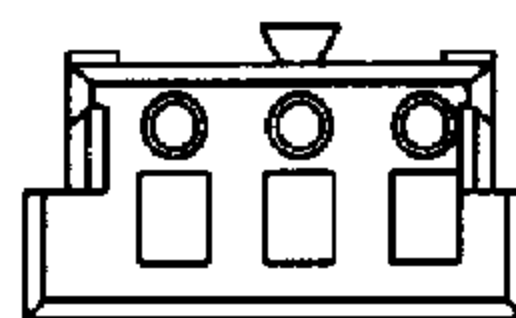
20005H-N Series Crimp Terminal Housing

- 2 ~ 15 circuits available
- Material: Nylon 66, UL 94V-0
- Standard color: White
- Accepts 20005T terminal
- Mates with 20005WS-N, 20005WR-N series headers

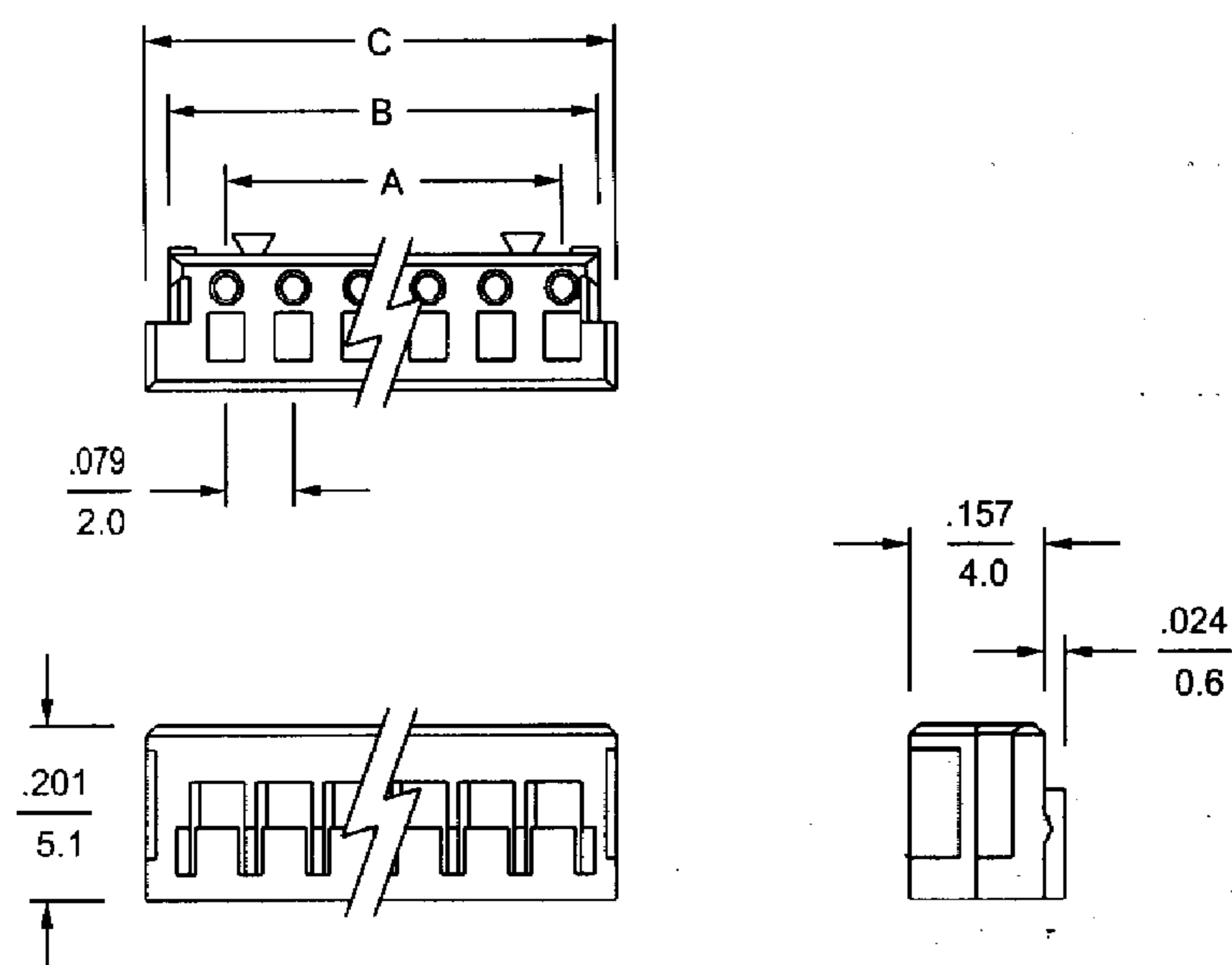
2 circuits



3 circuits



4 ~ 15 circuits



inches
mm

Dimensional Information - in (mm)

Circuits	Dim. A	Dim. B	Dim. C	Circuits	Dim. A	Dim. B	Dim. C
2	0.079 (2.0)	0.189 (4.8)	0.236 (6.0)	9	0.630 (16.0)	0.740 (18.8)	0.787 (20.0)
3	0.157 (4.0)	0.268 (6.8)	0.315 (8.0)	10	0.709 (18.0)	0.819 (20.8)	0.866 (22.0)
4	0.236 (6.0)	0.346 (8.8)	0.394 (10.0)	11	0.787 (20.0)	0.898 (22.8)	0.945 (24.0)
5	0.315 (8.0)	0.425 (10.8)	0.472 (12.0)	12	0.866 (22.0)	0.976 (24.8)	1.024 (26.0)
6	0.394 (10.0)	0.504 (12.8)	0.551 (14.0)	13	0.945 (24.0)	1.055 (26.8)	1.102 (28.0)
7	0.472 (12.0)	0.583 (14.8)	0.630 (16.0)	14	1.024 (26.0)	1.134 (28.8)	1.181 (30.0)
8	0.551 (14.0)	0.661 (16.8)	0.709 (18.0)	15	1.102 (28.0)	1.213 (30.8)	1.260 (32.0)