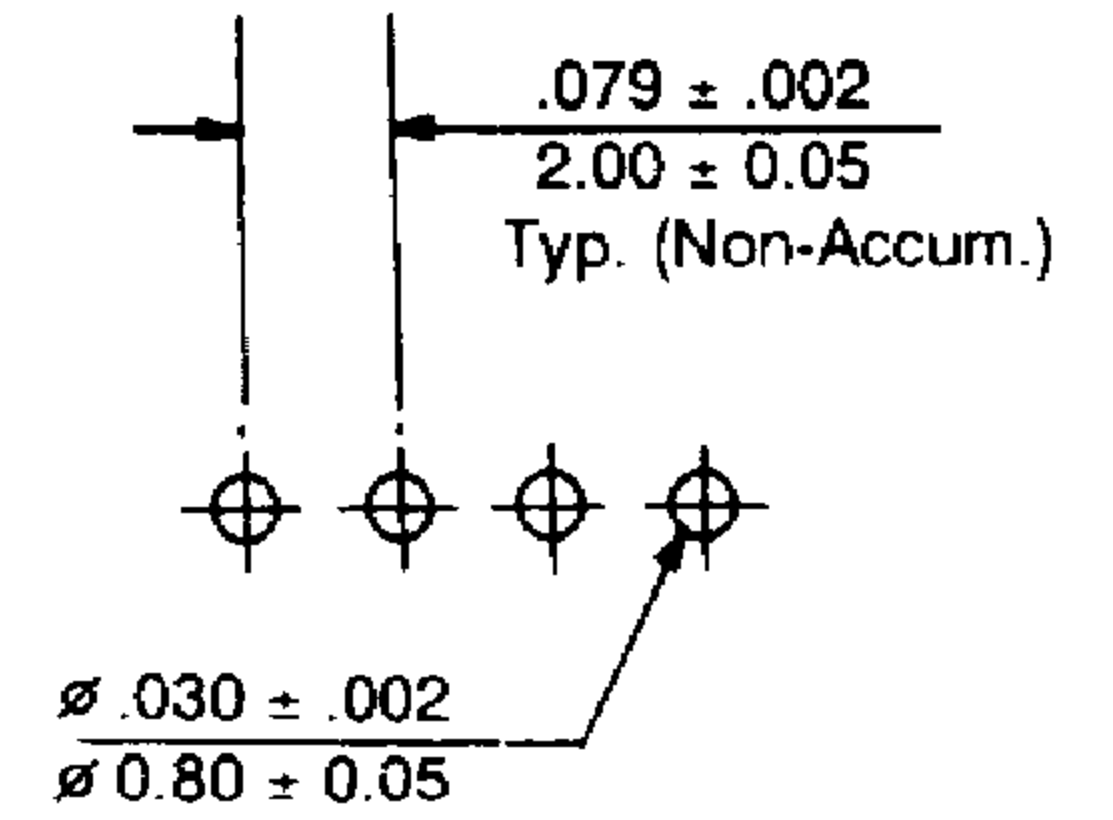
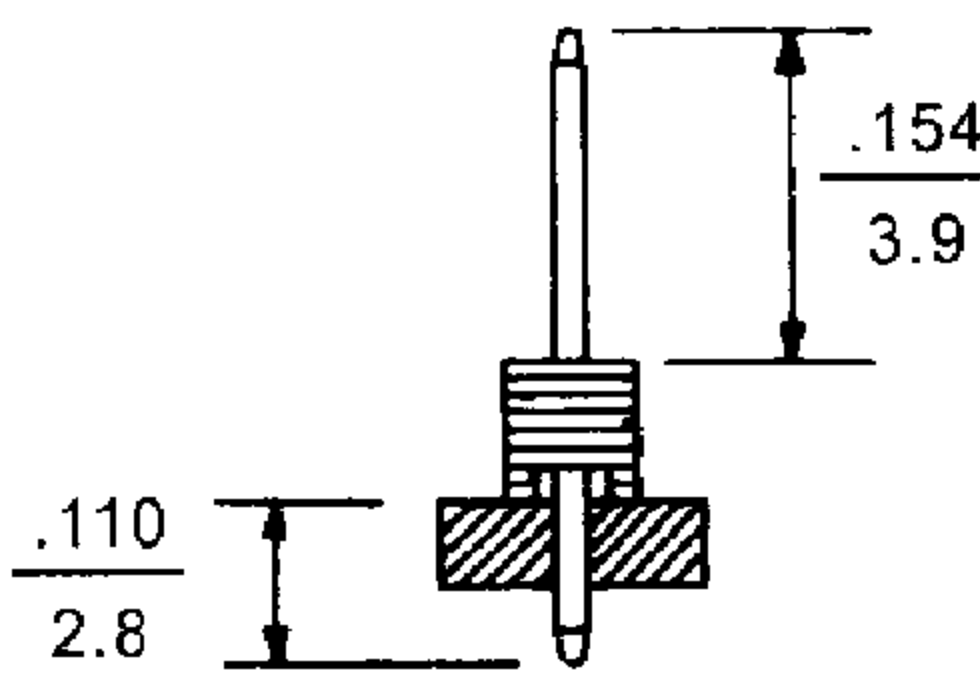
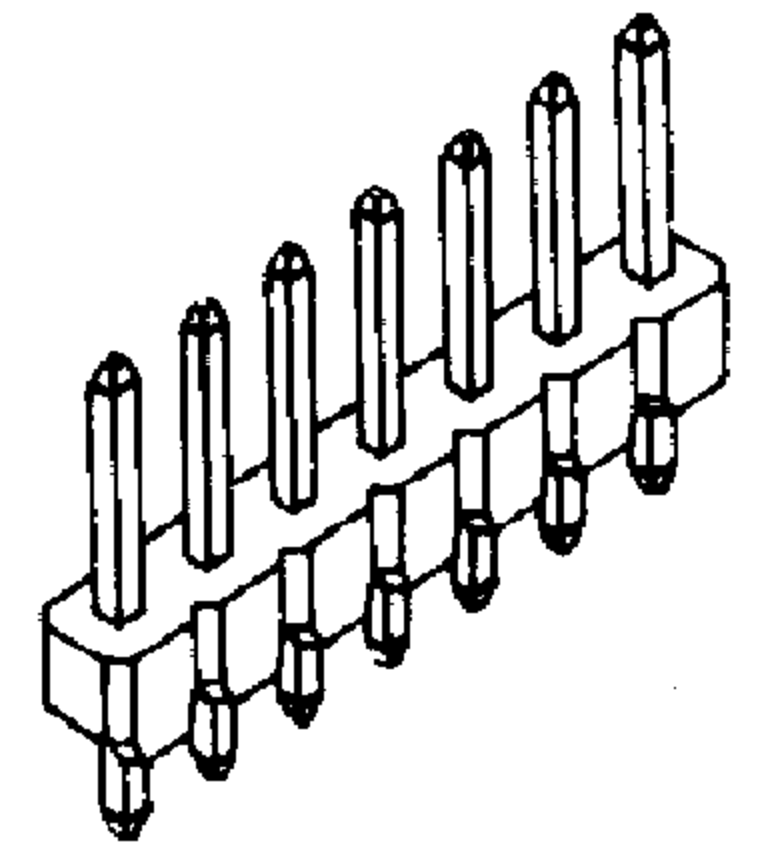
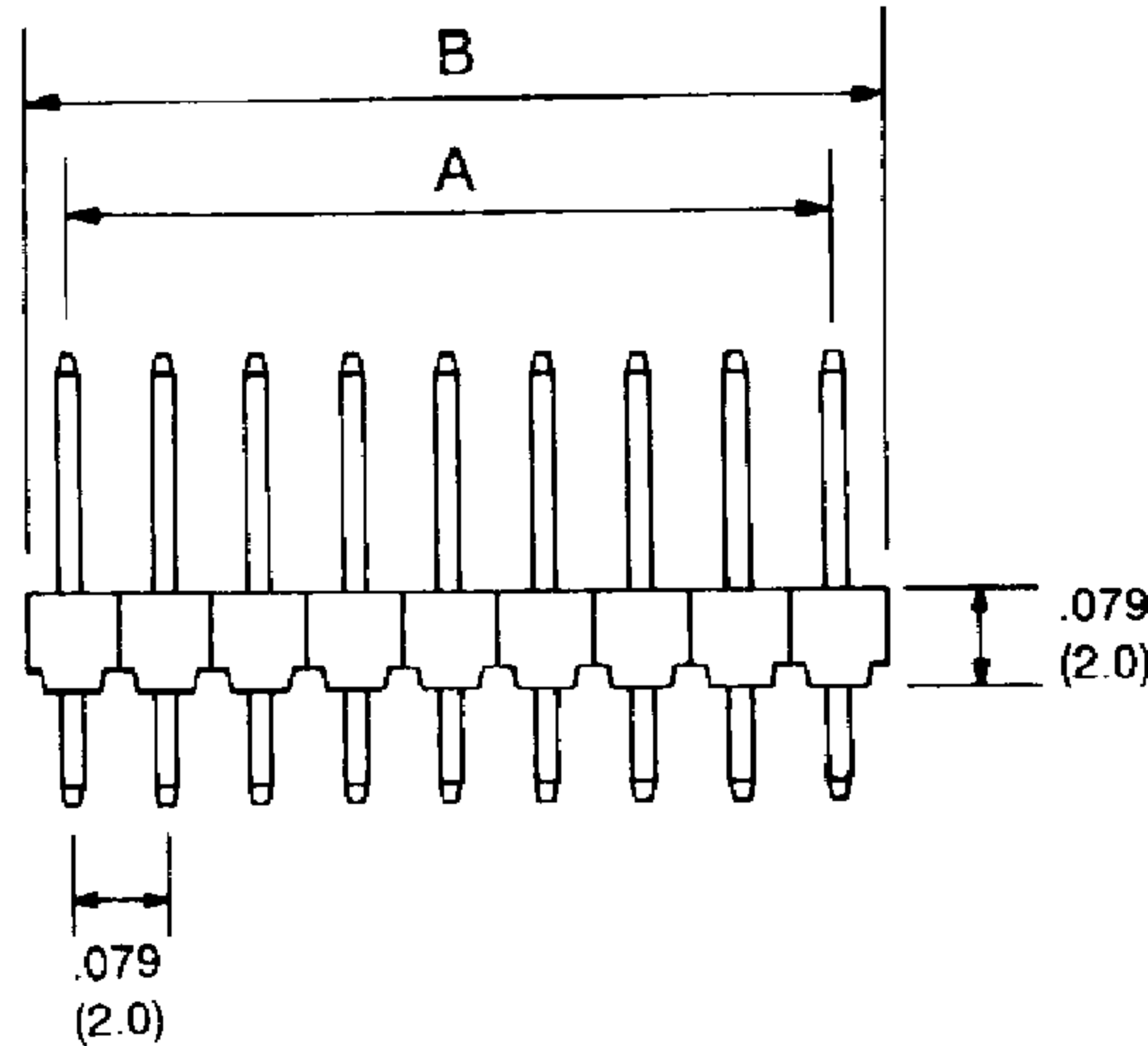


# .079" (2,0mm) Center Headers

## 20012WMS-N Series Straight Flat Header

- Glass fiber polyester UL 94V-0
- .020" (0.5mm) straight square wire pins
- Various pin lengths available
- 2-40 circuits available
- Mates with 20007H, 20012WF series housing
- Applicable PC board thickness: .063" (1.6mm)



Recommended P.C. Board Hole Layout

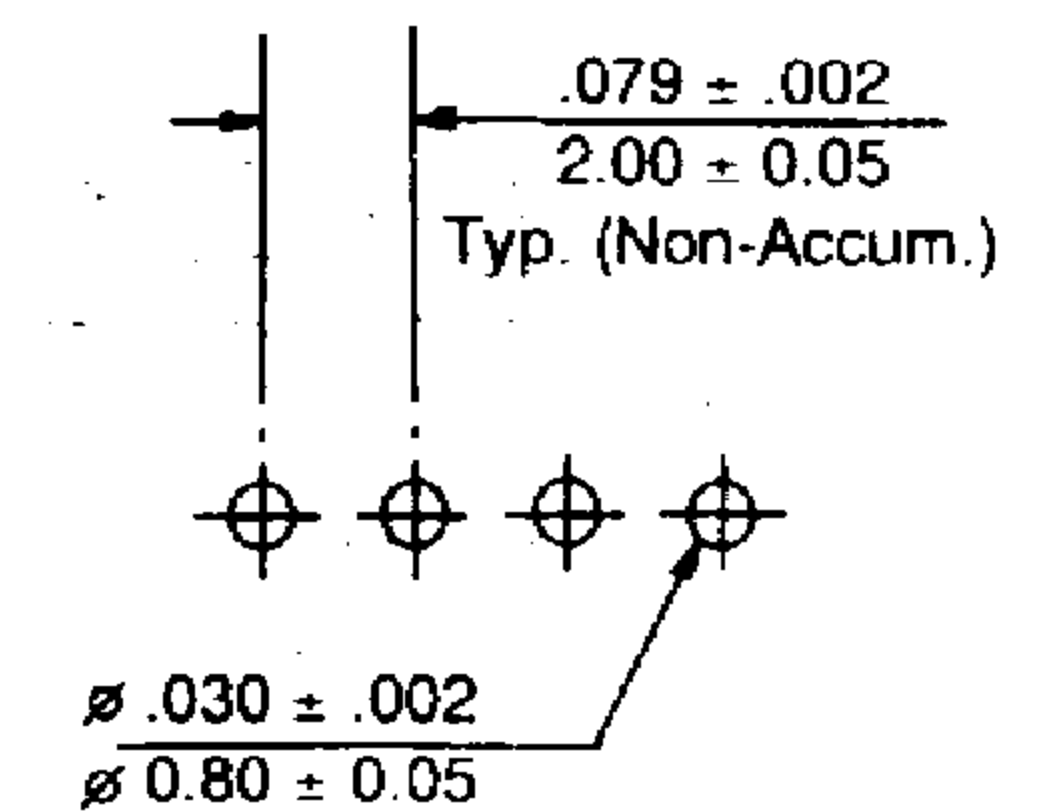
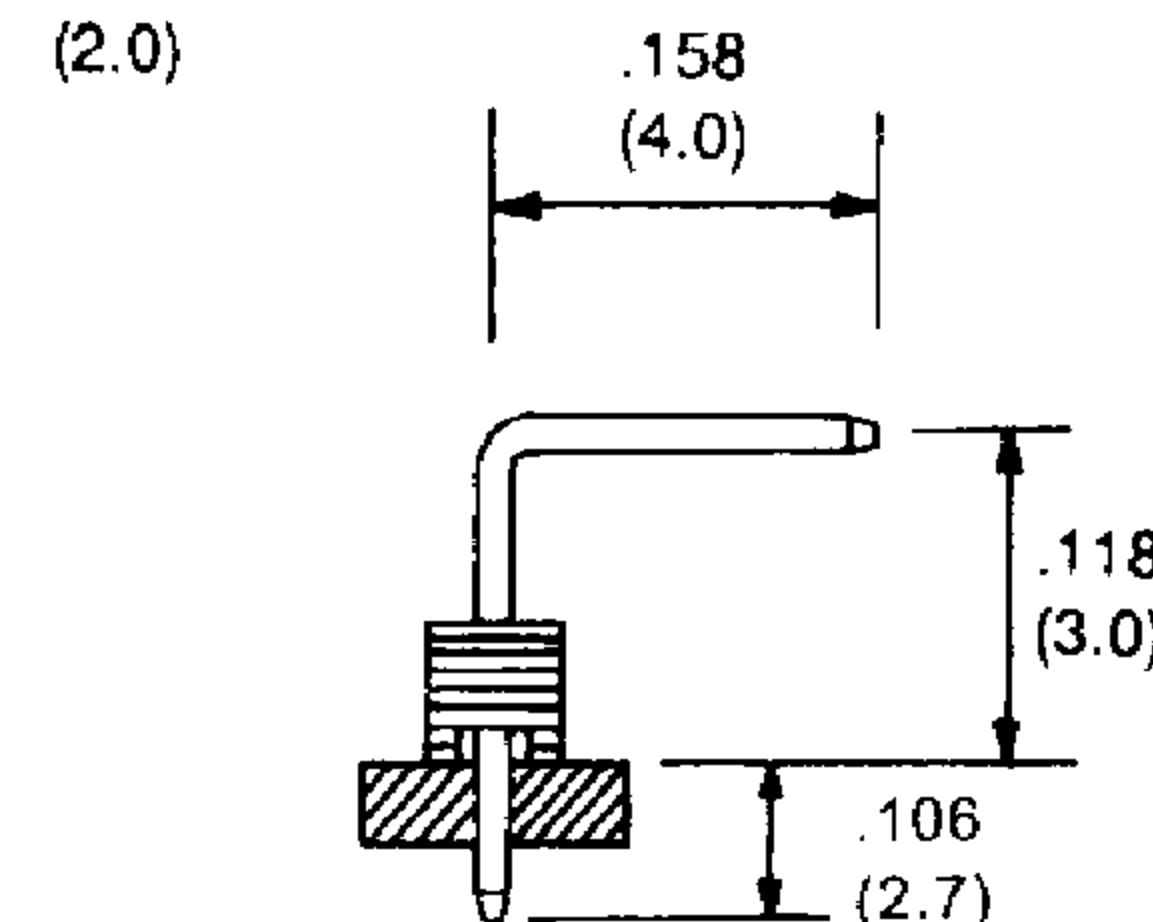
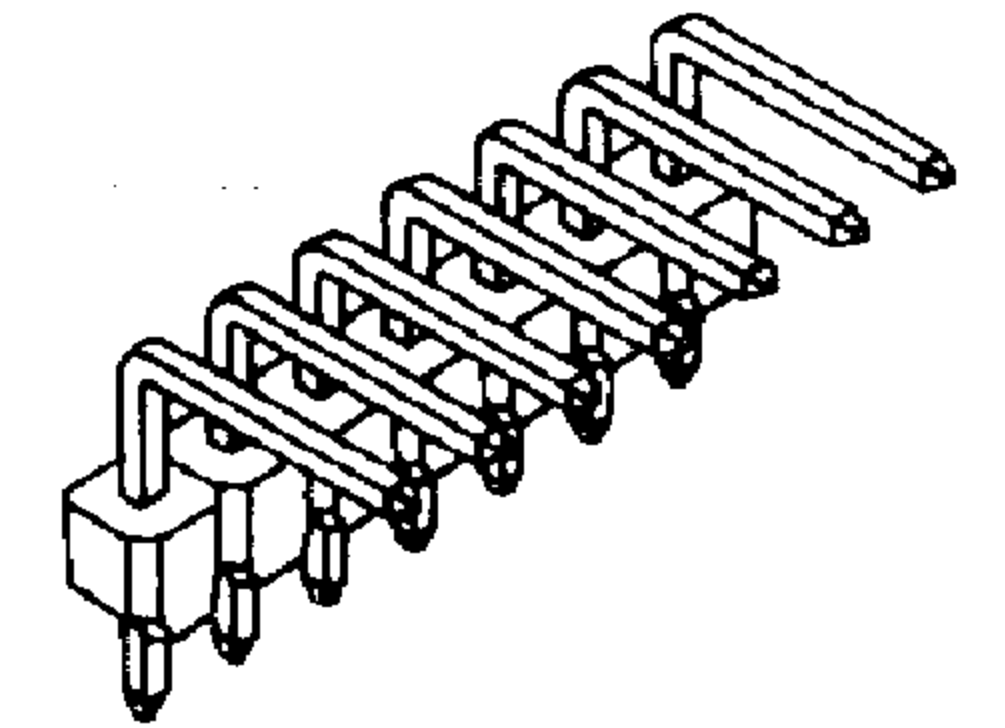
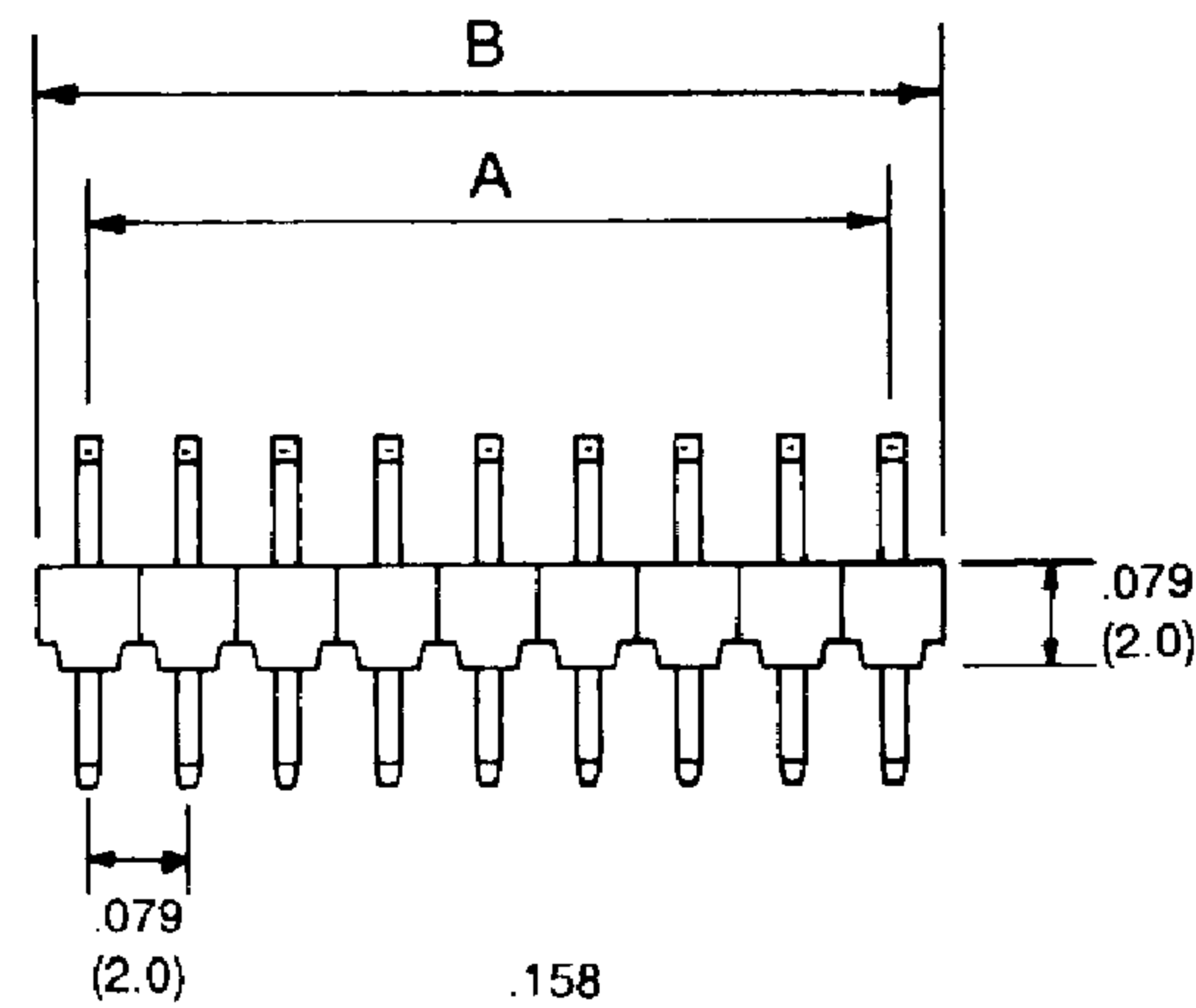
**inches**  
**mm**

### Dimensional Information - in. (mm)

Circuits	Dim. A	Dim. B	Circuits	Dim. A	Dim. B	Circuits	Dim. A	Dim. B
2	.079 ( 2.0)	.167 ( 4.0)	15	1.102 (28.0)	1.181 (30.0)	28	2.126 (54.0)	2.205 (56.0)
3	.167 ( 4.0)	.236 ( 6.0)	16	1.181 (30.0)	1.260 (32.0)	29	2.205 (56.0)	2.284 (58.0)
4	.236 ( 6.0)	.315 ( 8.0)	17	1.260 (32.0)	1.339 (34.0)	30	2.284 (58.0)	2.362 (60.0)
5	.315 ( 8.0)	.394 (10.0)	18	1.339 (34.0)	1.417 (36.0)	31	2.362 (60.0)	2.441 (62.0)
6	.394 (10.0)	.472 (12.0)	19	1.417 (36.0)	1.496 (38.0)	32	2.441 (62.0)	2.520 (64.0)
7	.472 (12.0)	.551 (14.0)	20	1.496 (38.0)	1.575 (40.0)	33	2.520 (64.0)	2.599 (66.0)
8	.551 (14.0)	.630 (16.0)	21	1.575 (40.0)	1.654 (42.0)	34	2.599 (66.0)	2.677 (68.0)
9	.630 (16.0)	.709 (18.0)	22	1.654 (42.0)	1.732 (44.0)	35	2.677 (68.0)	2.756 (70.0)
10	.709 (18.0)	.787 (20.0)	23	1.732 (44.0)	1.811 (46.0)	36	2.756 (70.0)	2.835 (72.0)
11	.787 (20.0)	.866 (22.0)	24	1.811 (46.0)	1.890 (48.0)	37	2.835 (72.0)	2.913 (74.0)
12	.866 (22.0)	.945 (24.0)	25	1.890 (48.0)	1.969 (50.0)	38	2.913 (74.0)	2.992 (76.0)
13	.945 (24.0)	1.024 (26.0)	26	1.969 (50.0)	2.047 (52.0)	39	2.992 (76.0)	3.071 (78.0)
14	1.024 (26.0)	1.102 (28.0)	27	2.047 (52.0)	2.126 (54.0)	40	3.071 (78.0)	3.150 (80.0)

## 20012WMR2-N Series Right Angle Flat Header

- Glass fiber polyester UL 94V-0
- .020" (0.5mm) right angle square wire pins
- Various pin lengths available
- 2-40 circuits available
- Mates with 20007H, 20012WF series housings
- Applicable PC board thickness: .063" (1.6mm)



Recommended P.C. Board Hole Layout

**inches**  
**mm**