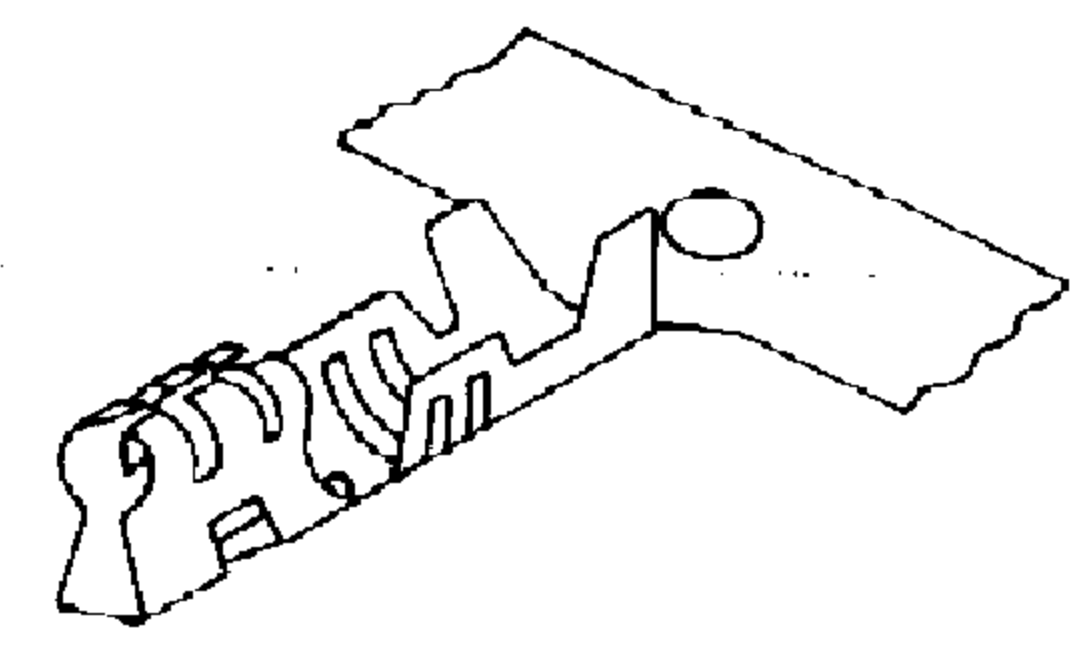
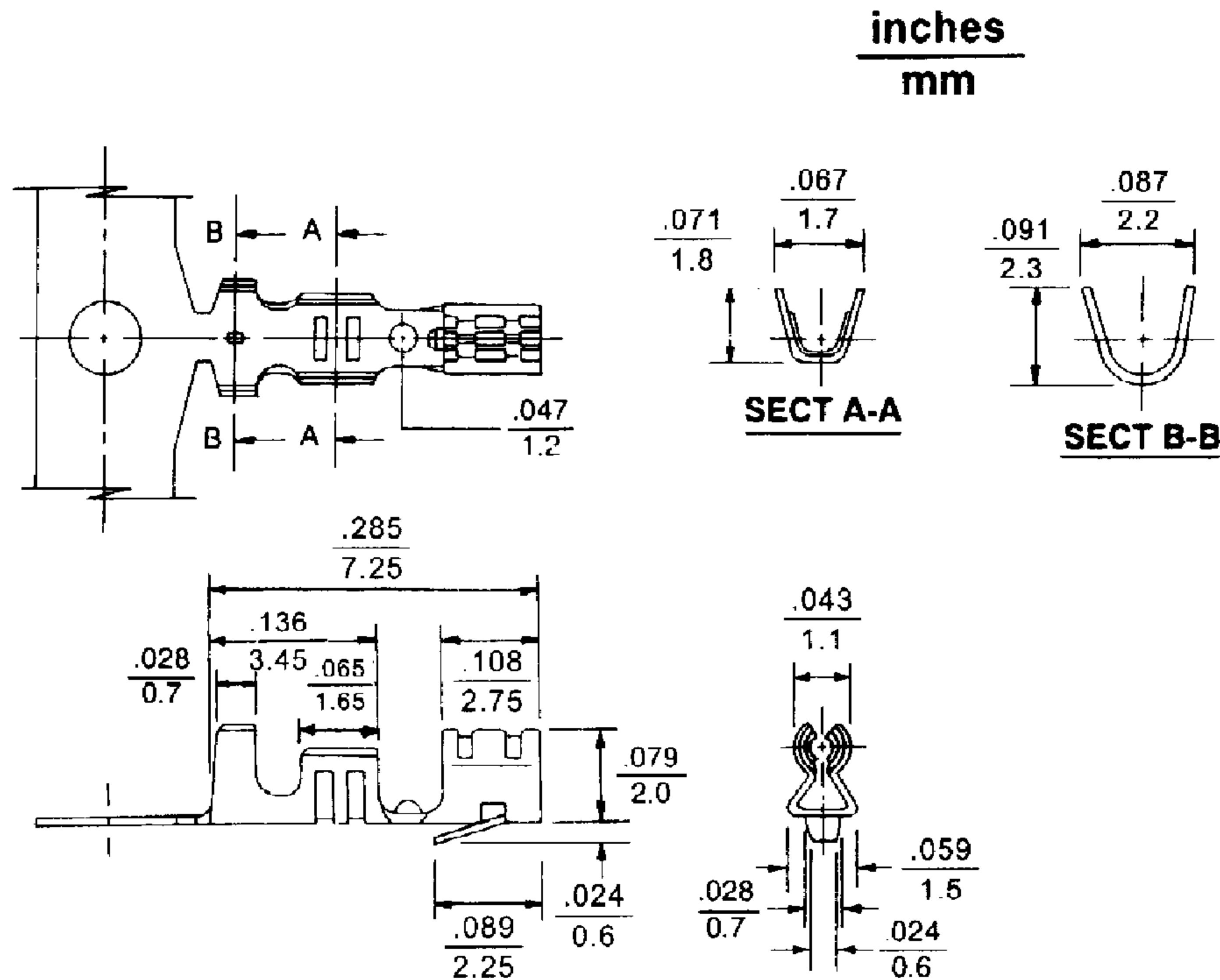


.098" (2,5 mm) Crimp Housing

25001T Series

Crimp Terminal

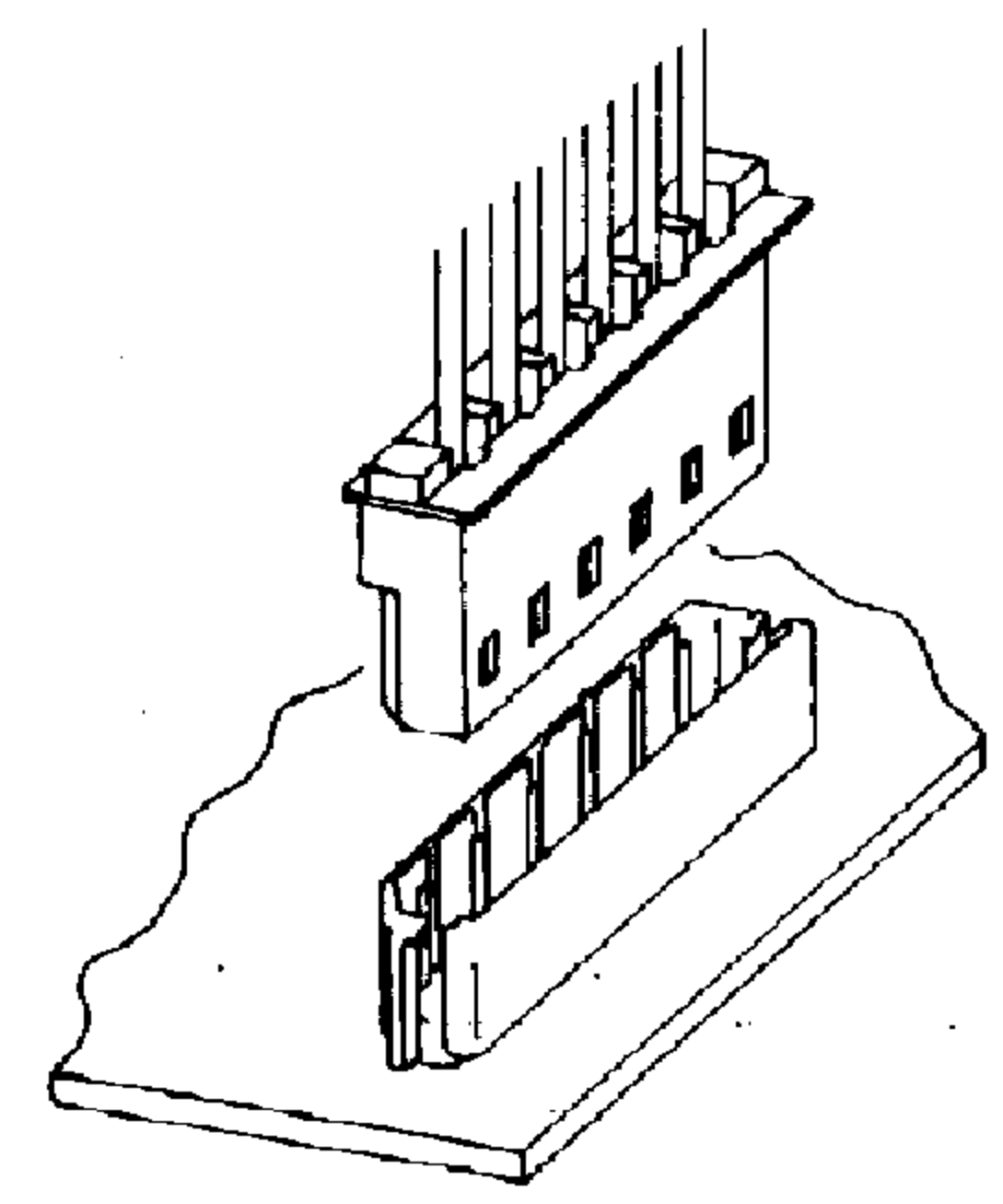
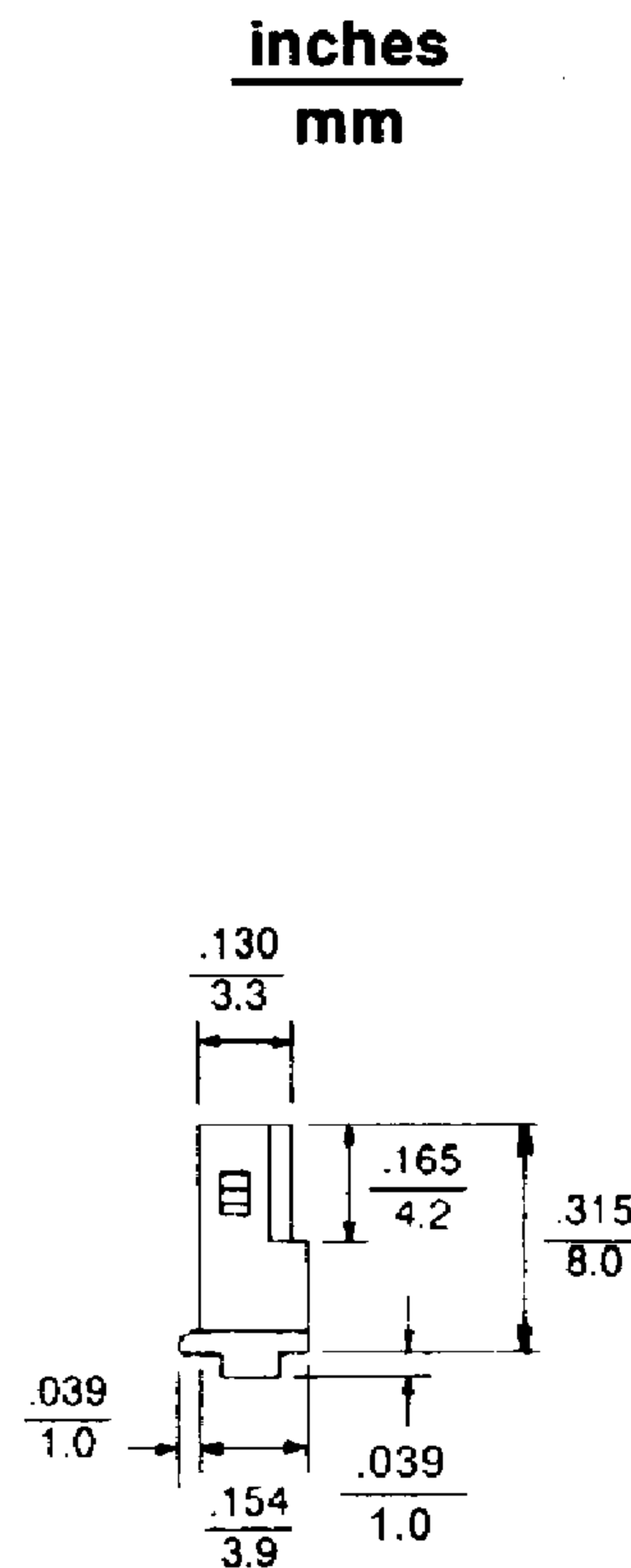
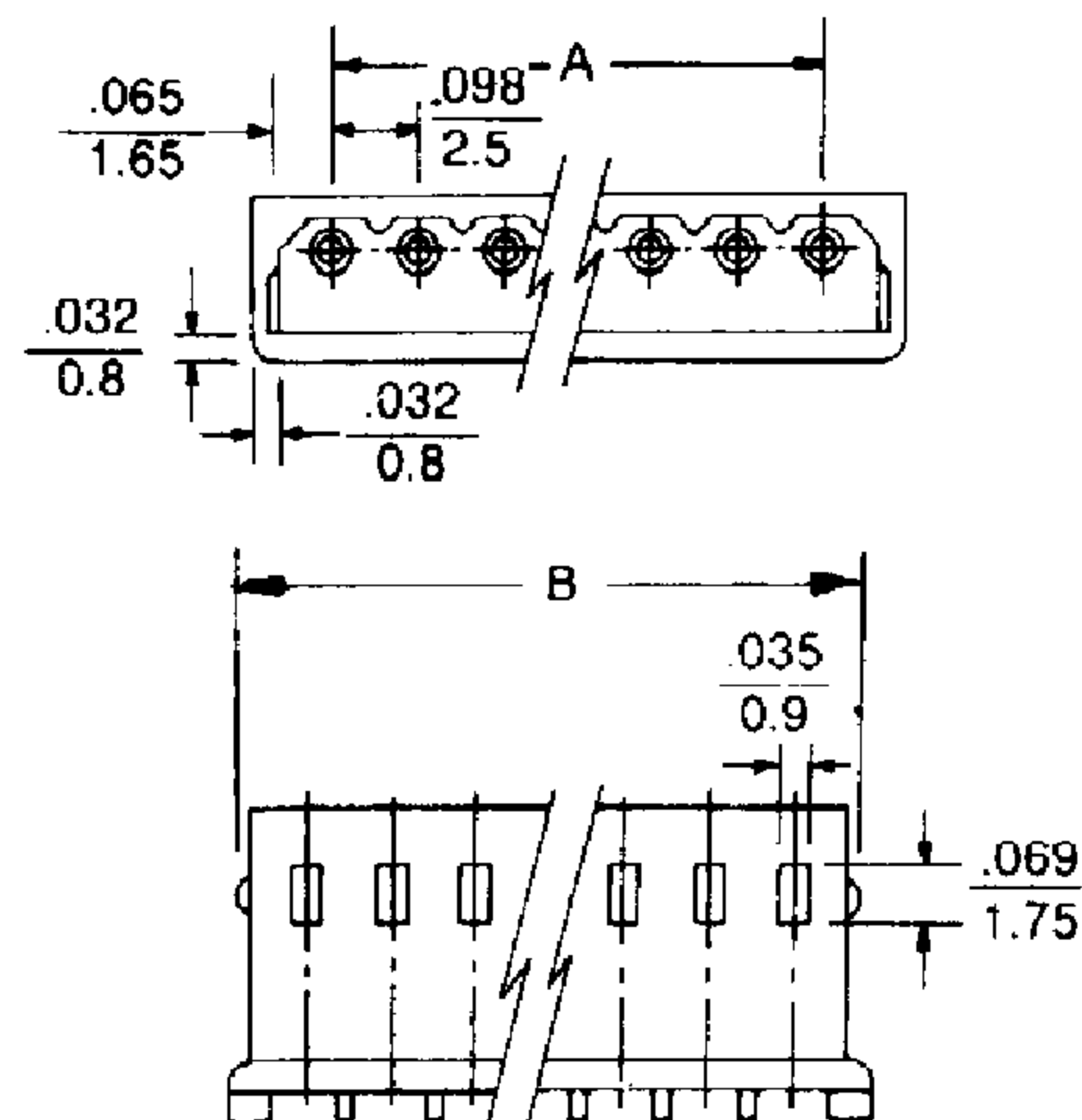
- Very low profile
- Material: Pre-tinned phosphor bronze
- Used in 25001H-N housing
- Anti-fishhooking design
- Box protects pin contact area from contamination during handling
- Wire range AWG #22 ~ #28
- Insulation diameter ϕ 1.9mm (.075") max



25001H-N Series

Shrouded Crimp Terminal Housing

- Very low profile
- 2-20 Circuits
- UL 94V-0 nylon 6/6
- Accepts 25001T terminal
- Mates with 25001W wafers polarized
- Molded-in pull tabs
- Friction lock



Dimensional & Ordering Information-mm (in)

Circuits	Dim. A	Dim. B
2	2.5 (.098)	6.4 (.254)
3	5.0 (.197)	8.9 (.350)
4	7.5 (.295)	11.4 (.449)
5	10.0 (.394)	13.9 (.547)
6	12.5 (.492)	16.4 (.646)
7	15.0 (.591)	18.9 (.744)
8	17.5 (.689)	21.4 (.843)
9	20.0 (.787)	23.9 (.941)
10	22.5 (.886)	26.4 (1.039)
11	25.0 (.984)	28.9 (1.138)

Circuits	Dim. A	Dim. B
12	27.5 (1.083)	31.4 (1.236)
13	30.0 (1.181)	33.9 (1.335)
14	32.5 (1.280)	36.4 (1.433)
15	35.0 (1.378)	38.9 (1.532)
16	37.5 (1.476)	41.4 (1.630)
17	40.0 (1.574)	43.9 (1.728)
18	42.5 (1.672)	46.4 (1.827)
19	45.0 (1.770)	48.9 (1.925)
20	47.5 (1.868)	51.4 (2.024)