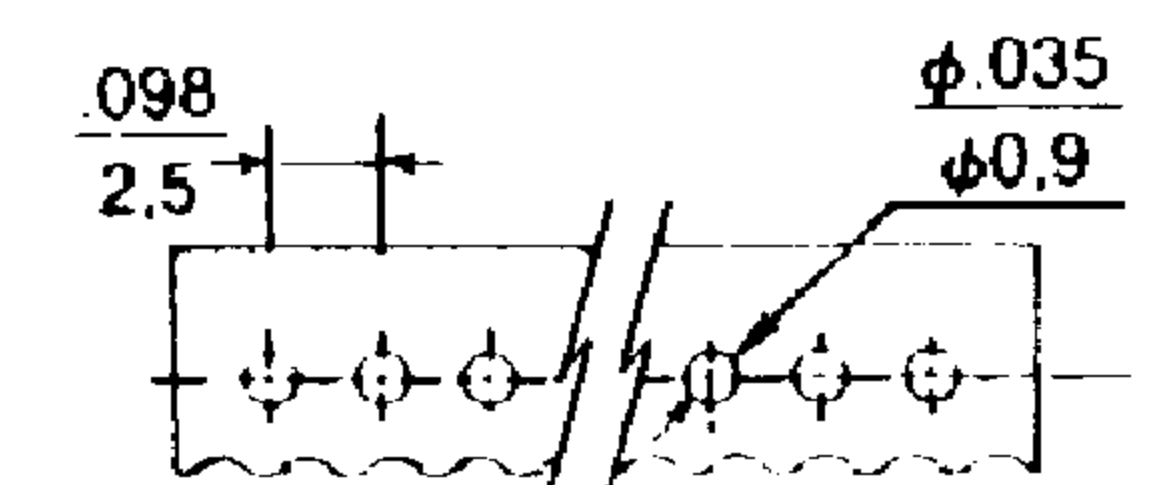
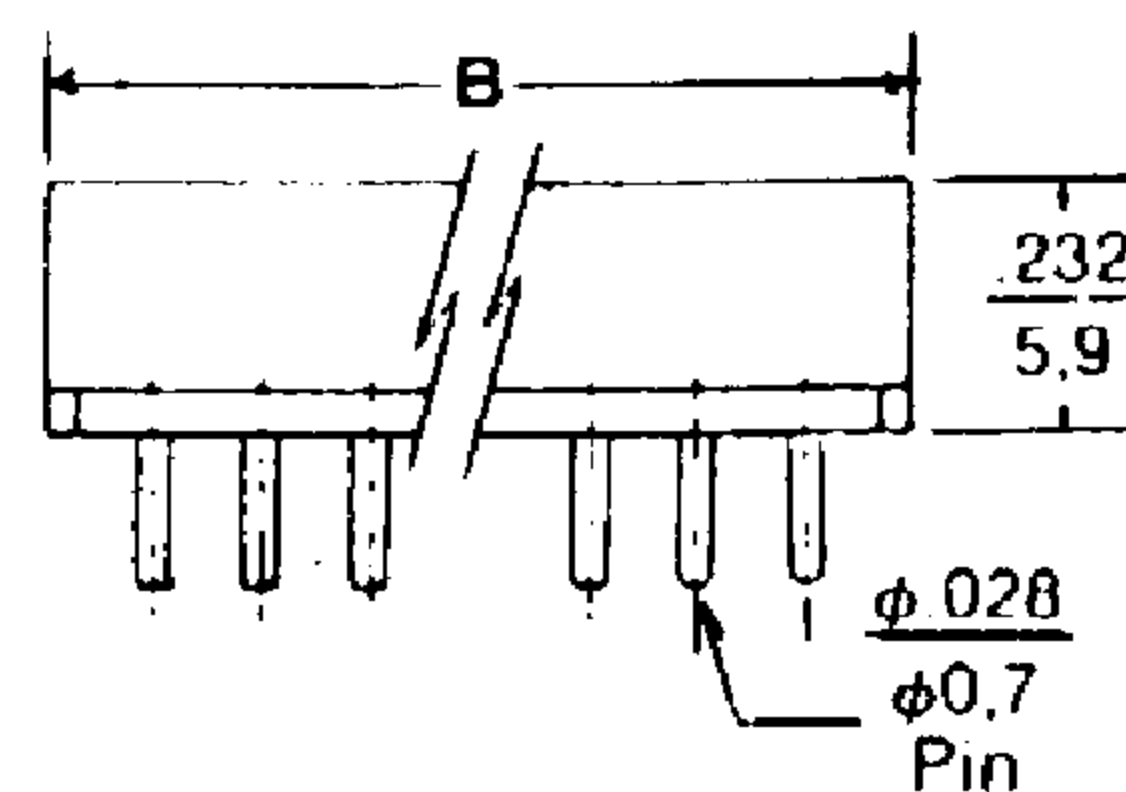
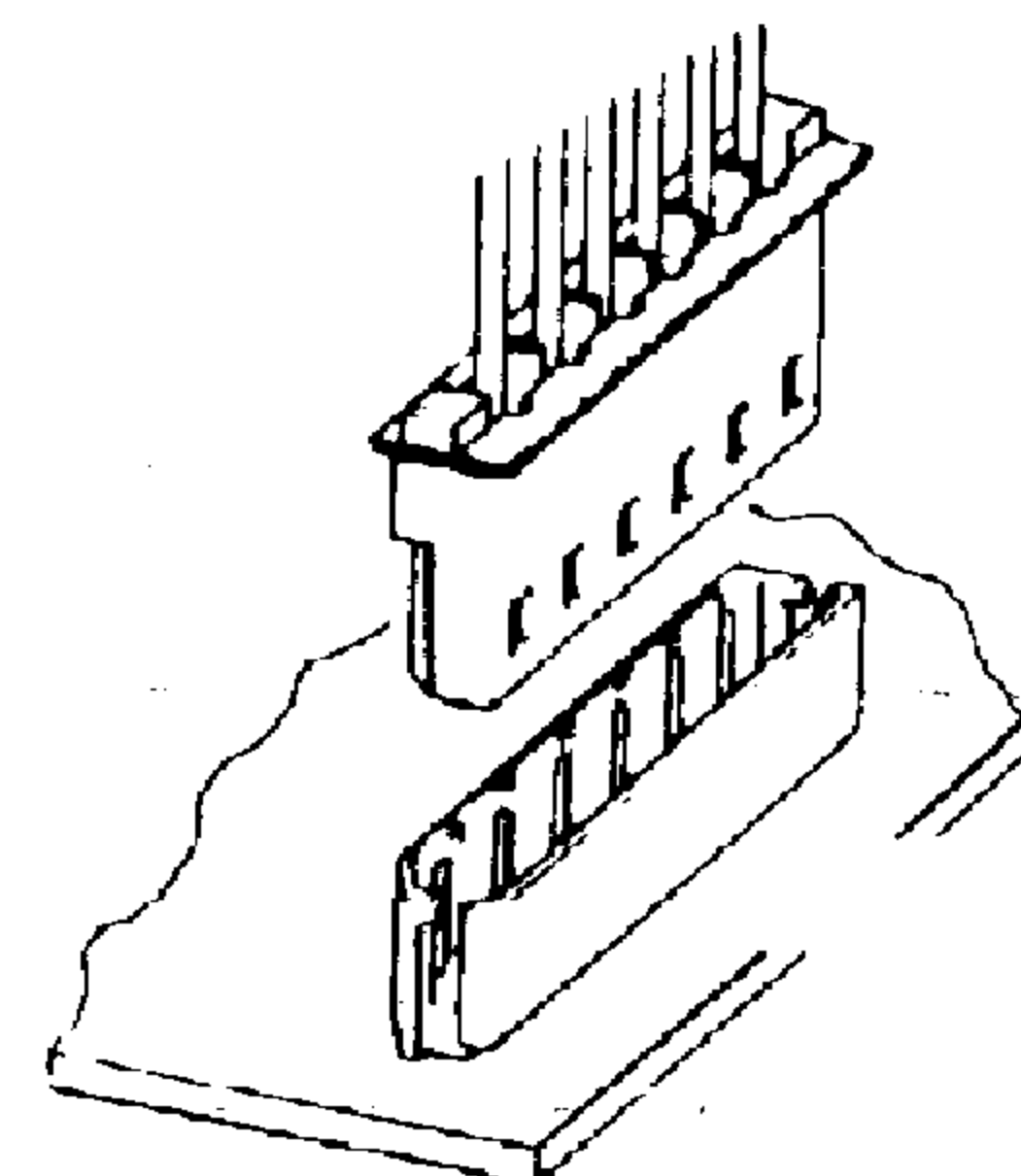
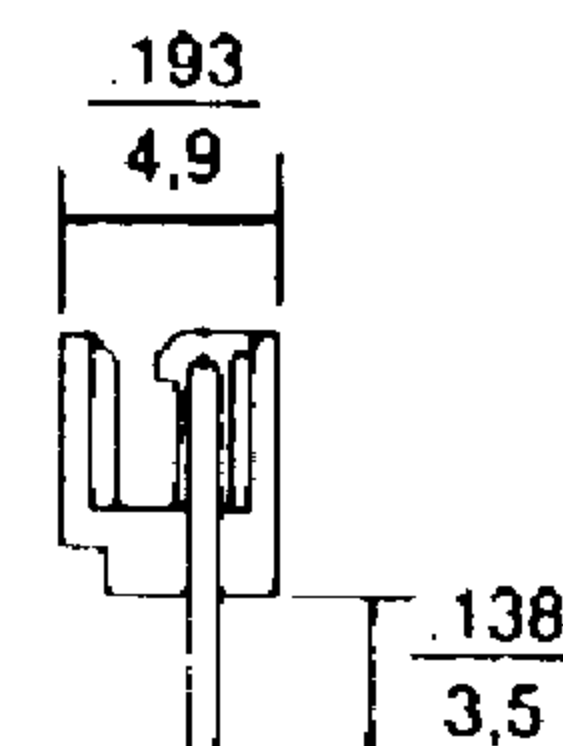
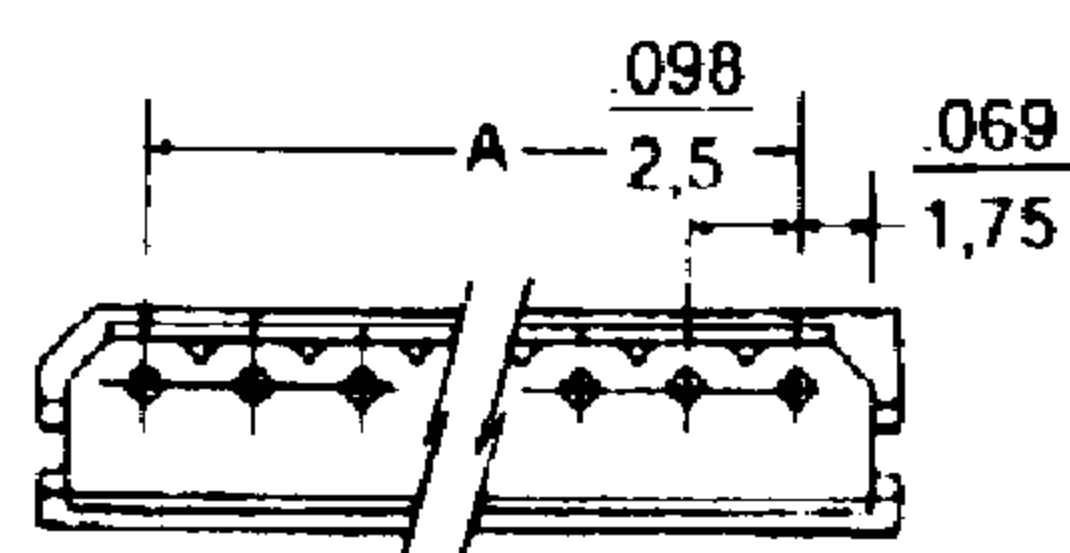


.098" (2,5mm) Headers

25001WS-N Series Straight Pin Fully Shrouded Header

- 2-20 Circuits
- UL 94V-0 nylon 6/6
- Tin plated brass pins
- .027" (0,7mm) straight round pins
- Polarized
- Mates with 25001H-N series housing
- Friction lock



P.C. Board Hole Dimensions

inches
mm

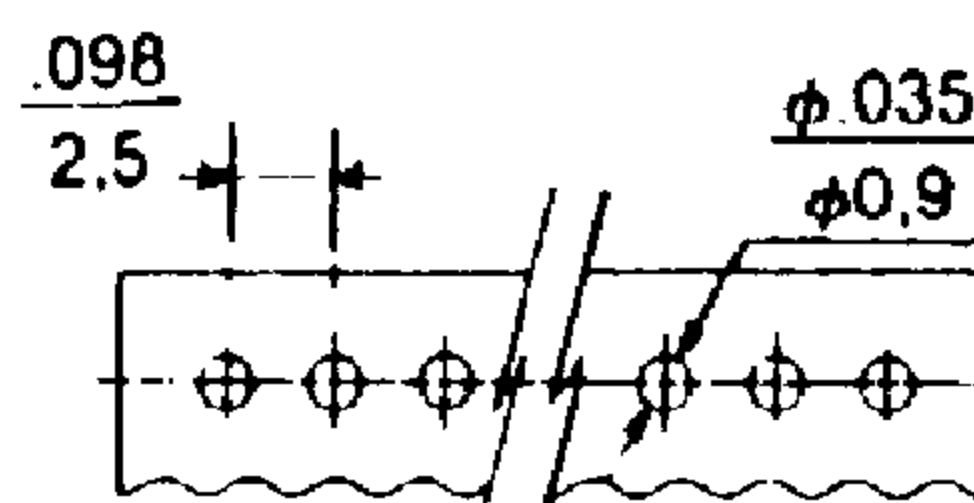
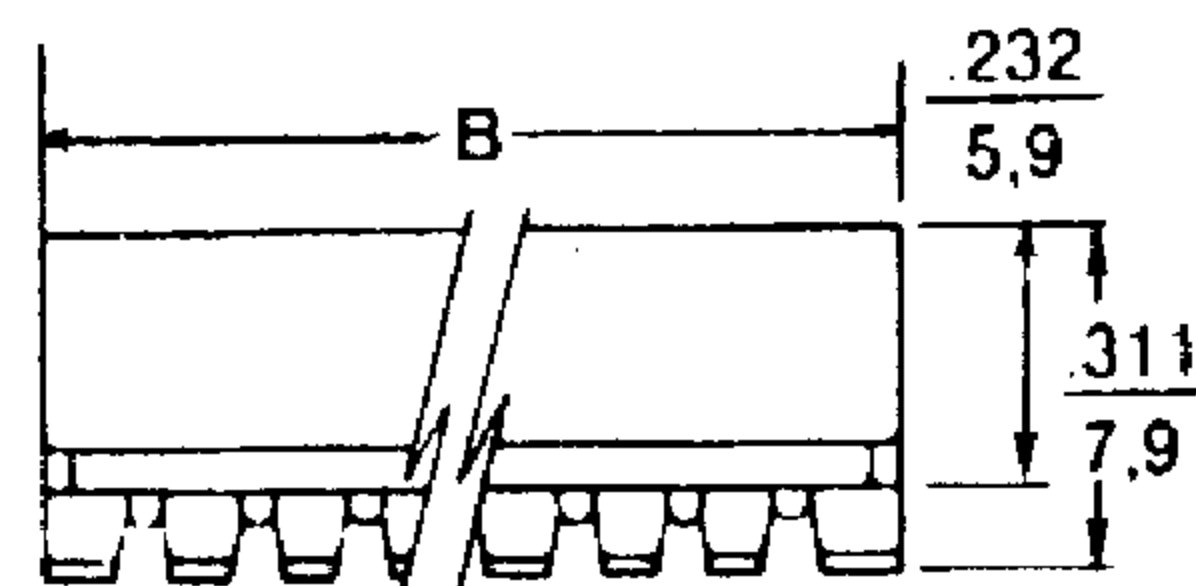
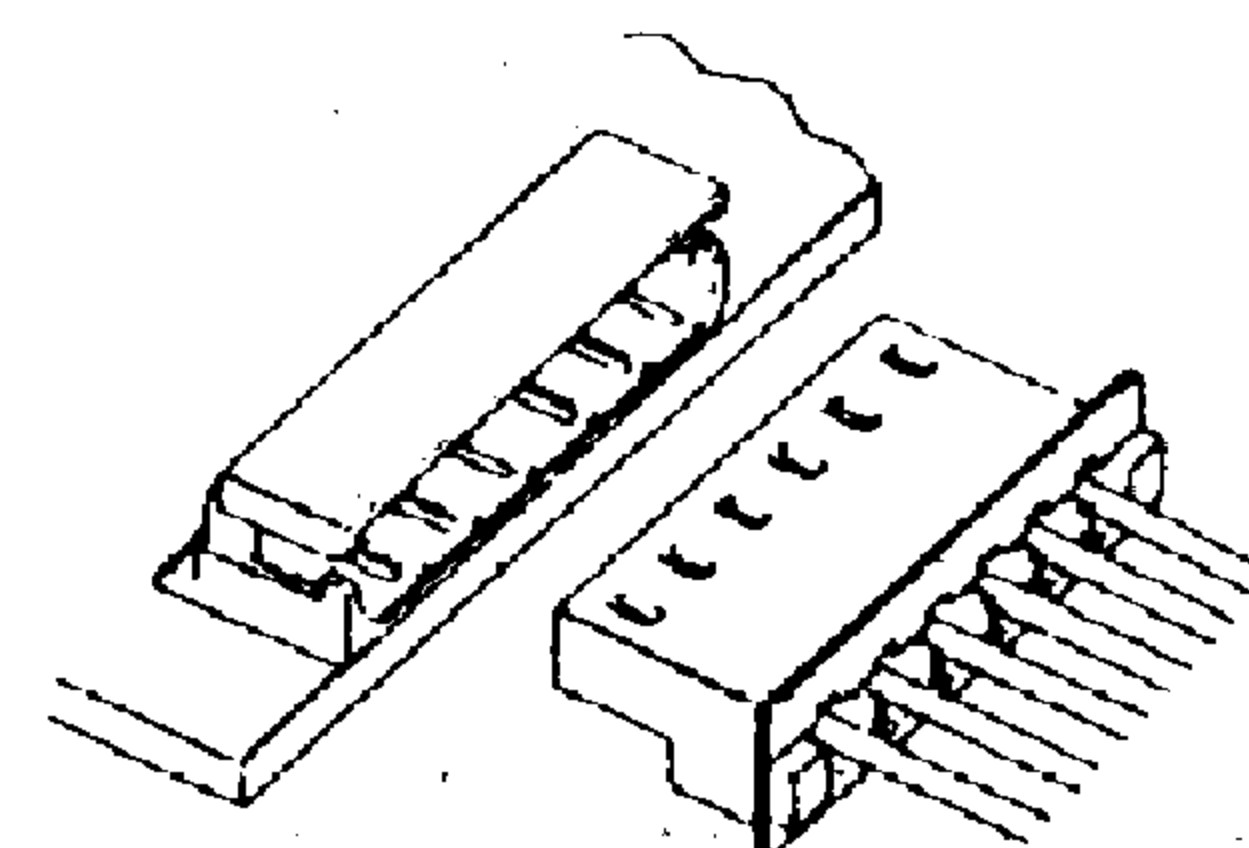
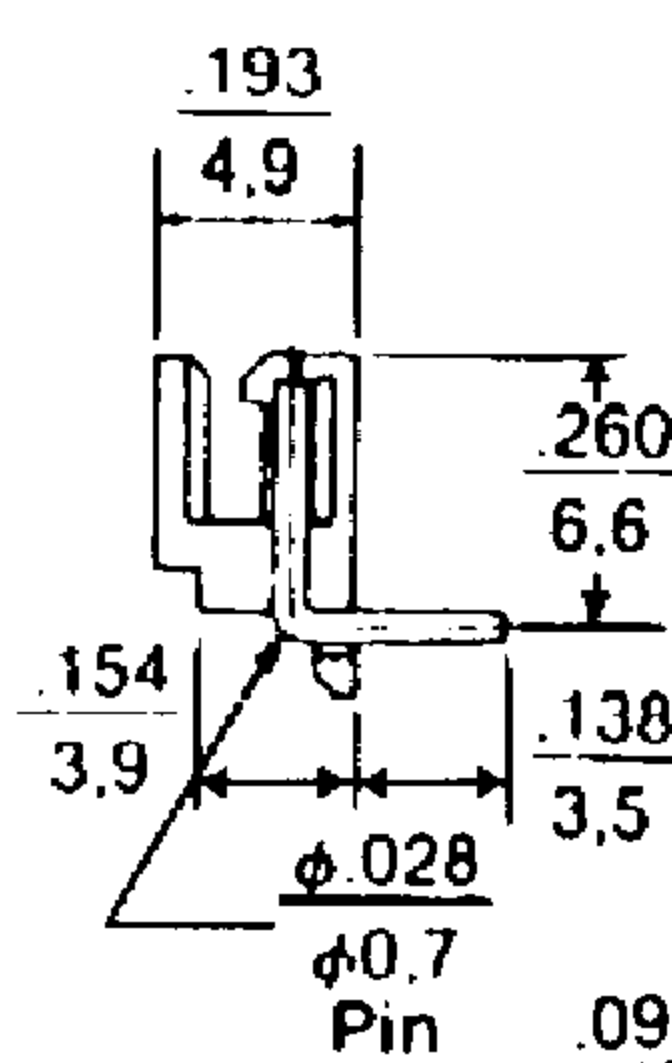
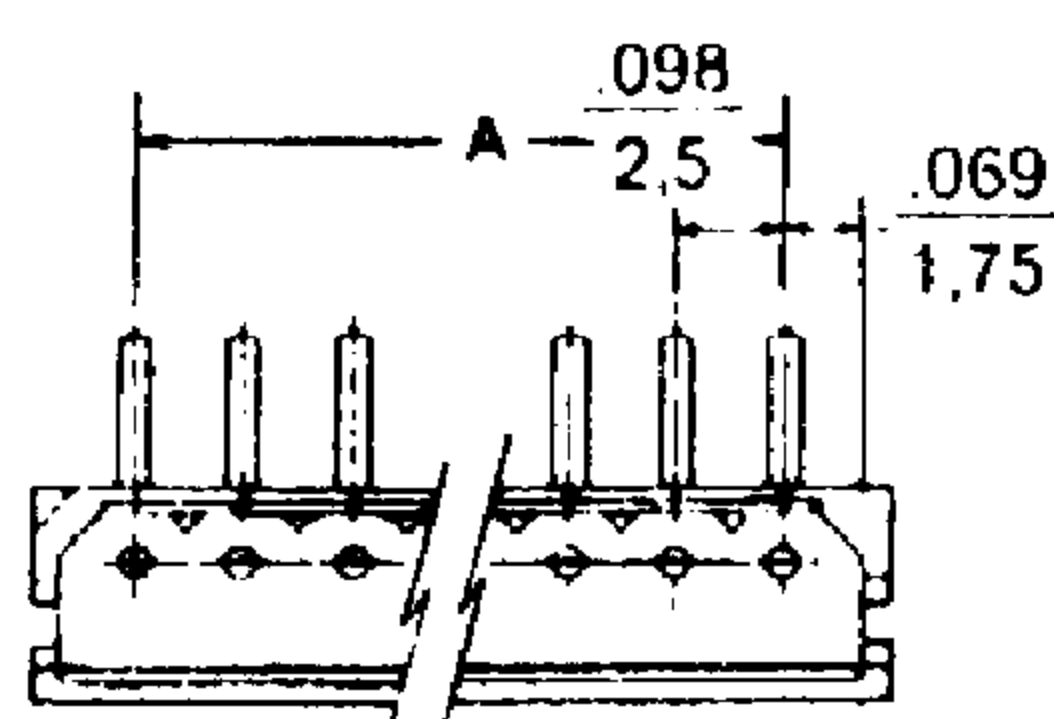
Dimensional & Ordering Information-mm (in)

Circuit	Dim. A	Dim. B
2	2.5 (0.098)	7.5 (0.295)
3	5.0 (0.197)	10.0 (0.394)
4	7.5 (0.295)	12.5 (0.492)
5	10.0 (0.394)	15.0 (0.591)
6	12.5 (0.492)	17.5 (0.689)
7	15.0 (0.591)	20.0 (0.787)
8	17.5 (0.689)	22.5 (0.886)
9	20.0 (0.787)	25.0 (0.984)
10	22.5 (0.886)	27.5 (1.083)
11	25.0 (0.984)	30.0 (1.181)

Circuits	Dim. A	Dim. B
12	27.5 (1.083)	32.5 (1.280)
13	30.0 (1.181)	35.0 (1.378)
14	32.5 (1.280)	37.5 (1.476)
15	35.0 (1.378)	40.0 (1.575)
16	37.5 (1.476)	42.5 (1.673)
17	40.0 (1.575)	45.0 (1.772)
18	42.5 (1.673)	47.5 (1.870)
19	45.0 (1.772)	50.0 (1.969)
20	47.5 (1.870)	52.5 (2.067)

25001WR-N Series Right Angle Pin Fully Shrouded Header

- 2-20 Circuits
- UL 94V-0 nylon 6/6
- Tin plated brass pins
- .027" (0,7mm) right angle round pins
- Polarized
- Mates with 25001H-N series housing
- Friction lock



P.C. Board Hole Dimensions

inches
mm

Dimensional & Ordering Information-mm (in)

Circuits	Dim. A	Dim. B
2	2.5 (0.098)	7.5 (0.295)
3	5.0 (0.197)	10.0 (0.394)
4	7.5 (0.295)	12.5 (0.492)
5	10.0 (0.394)	15.0 (0.591)
6	12.5 (0.492)	17.5 (0.689)
7	15.0 (0.591)	20.0 (0.787)
8	17.5 (0.689)	22.5 (0.886)
9	20.0 (0.787)	25.0 (0.984)
10	22.5 (0.886)	27.5 (1.083)
11	25.0 (0.984)	30.0 (1.181)

Circuits	Dim. A	Dim. B
12	27.5 (1.083)	32.5 (1.280)
13	30.0 (1.181)	35.0 (1.378)
14	32.5 (1.280)	37.5 (1.476)
15	35.0 (1.378)	40.0 (1.575)
16	37.5 (1.476)	42.5 (1.673)
17	40.0 (1.575)	45.0 (1.772)
18	42.5 (1.673)	47.5 (1.870)
19	45.0 (1.772)	50.0 (1.969)
20	47.5 (1.870)	52.5 (2.067)