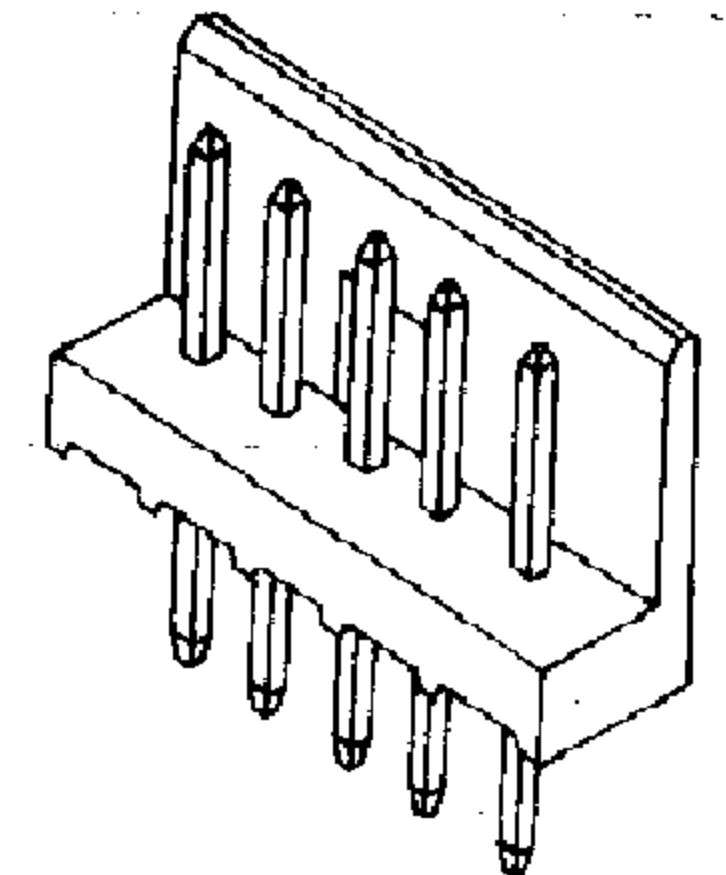
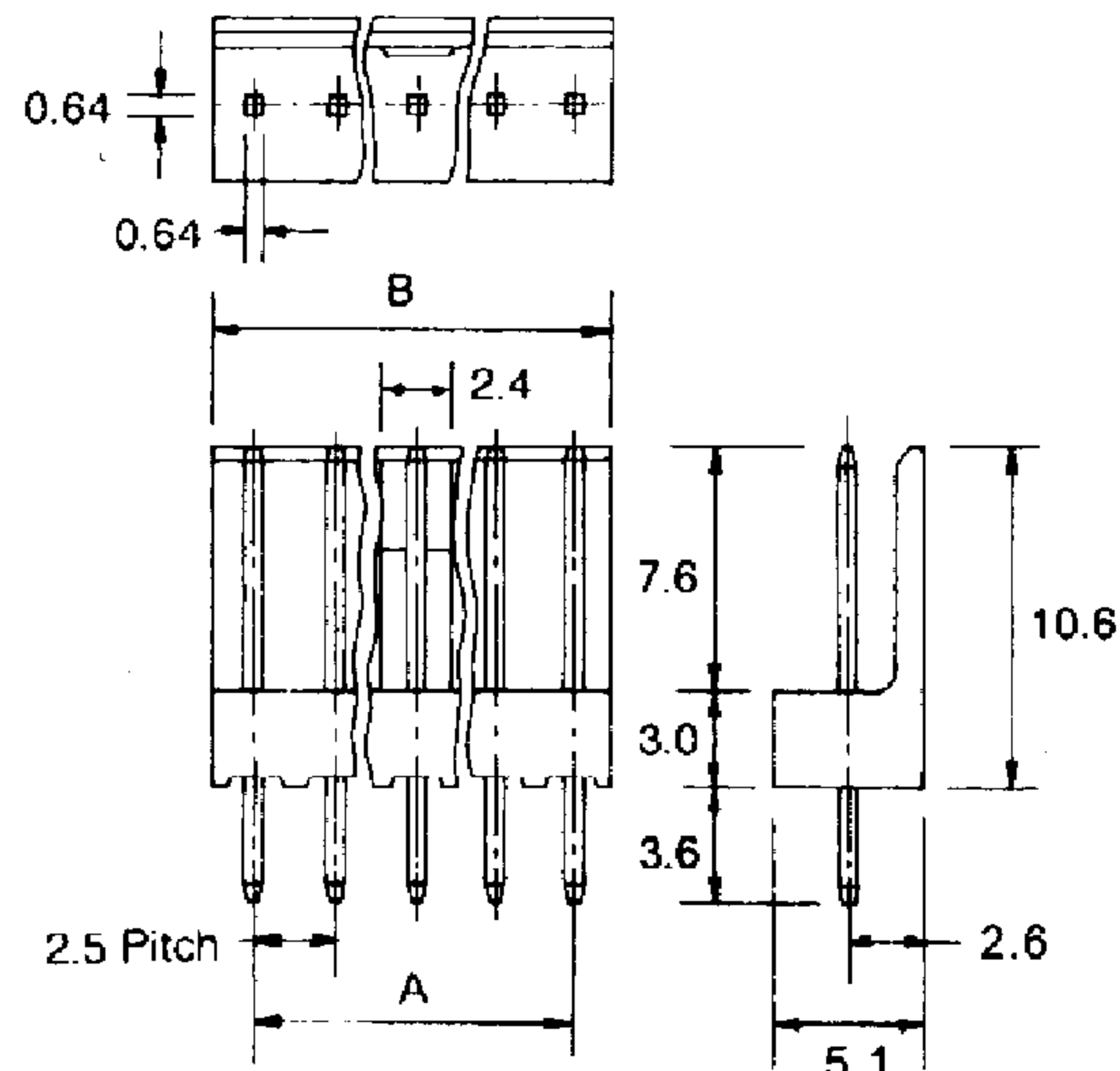


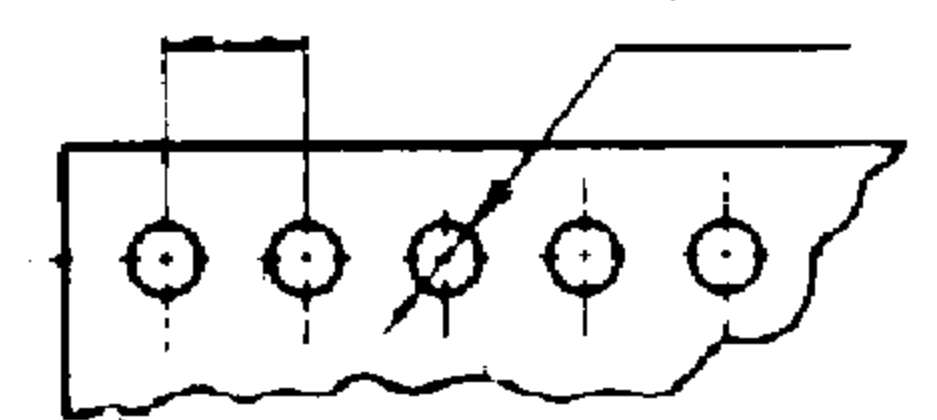
.098" (2,5 mm) Center Headers

25002WS-N Series Straight Pin Friction Lock Header

- 2-12 Circuits
- .025" (0,64mm) straight square wire pins
- Friction lock
- Various pin lengths available
- 94V-0 Nylon
- Mates with 25002HM-N housing
- Tin plated brass pins. Plating options available



$$\frac{.098 \pm .002}{2.5 \pm 0.05} \quad \frac{\phi .047 \pm .002}{\phi 1.2 \pm 0.05}$$



P.C. Board Hole Dimensions

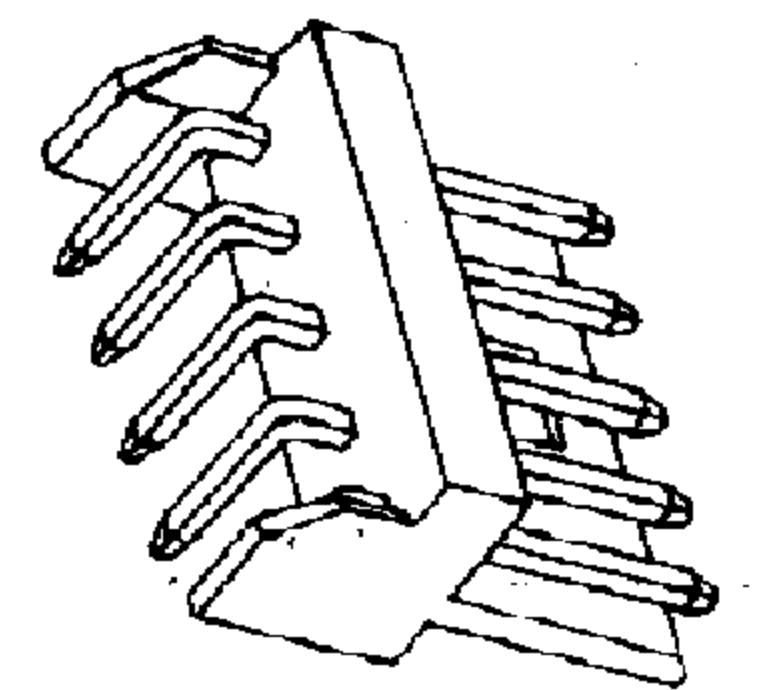
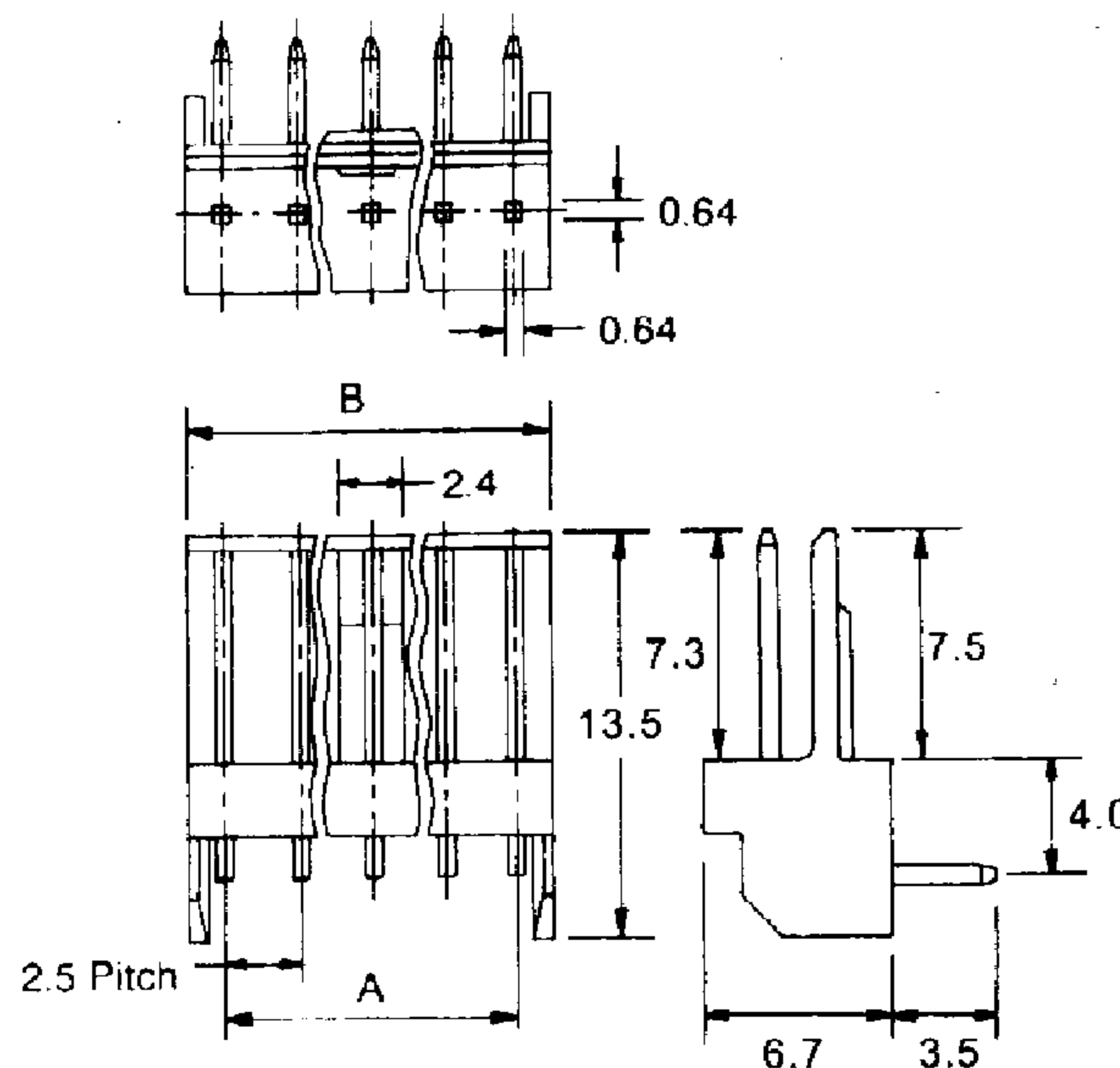
inches
mm

Dimensional Information - in. (mm)

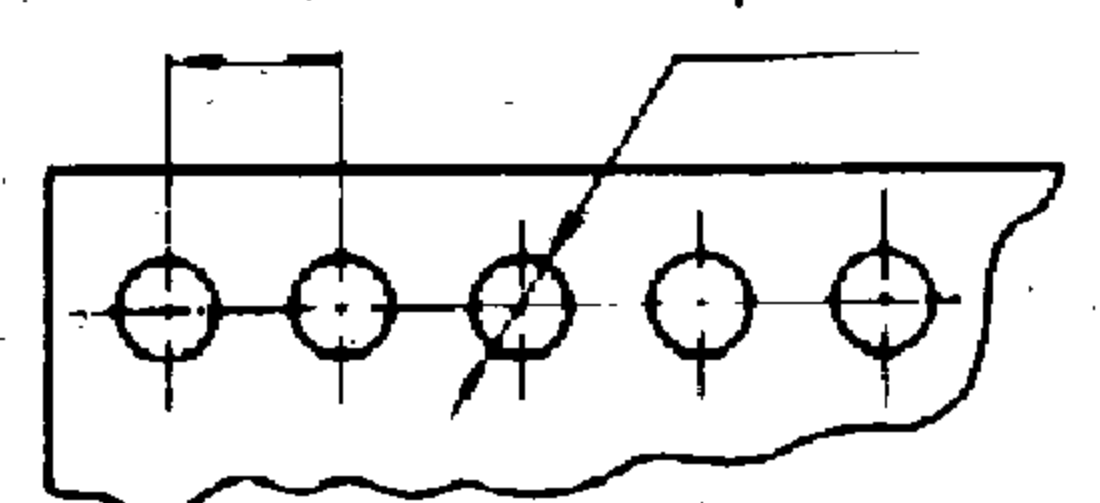
Circuits	Dim. A	Dim. B	Circuits	Dim. A	Dim. B	Circuits	Dim. A	Dim. B
2	.098 (2.5)	.197 (5.0)	6	.492 (12.5)	.591 (15.0)	10	.886 (22.5)	.984 (25.0)
3	.197 (5.0)	.295 (7.5)	7	.591 (15.0)	.689 (17.5)	11	.984 (25.0)	1.083 (27.5)
4	.295 (7.5)	.394 (10.0)	8	.689 (17.5)	.787 (20.0)	12	1.083 (27.5)	1.181 (30.0)
5	.394 (10.0)	.492 (12.5)	9	.787 (20.0)	.886 (22.5)			

25002WR-N Series Right Angle Pin Friction Lock Header

- 2-12 Circuits
- .025" (0,64mm) right angle square wire pins
- Friction lock
- Various pin lengths available
- 94V-0 Nylon
- Mates with 25002HM-N housing
- Tin plated brass pins. Plating options available



$$\frac{.098 \pm .002}{2.5 \pm 0.05} \quad \frac{\phi .047 \pm .002}{\phi 1.2 \pm 0.05}$$



P.C. Board Hole Dimensions

inches
mm

Dimensional Information - in. (mm)

Circuits	Dim. A	Dim. B	Circuits	Dim. A	Dim. B	Circuits	Dim. A	Dim. B
2	.098 (2.5)	.197 (5.0)	6	.492 (12.5)	.591 (15.0)	10	.886 (22.5)	.984 (25.0)
3	.197 (5.0)	.295 (7.5)	7	.591 (15.0)	.689 (17.5)	11	.984 (25.0)	1.083 (27.5)
4	.295 (7.5)	.394 (10.0)	8	.689 (17.5)	.787 (20.0)	12	1.083 (27.5)	1.181 (30.0)
5	.394 (10.0)	.492 (12.5)	9	.787 (20.0)	.886 (22.5)			