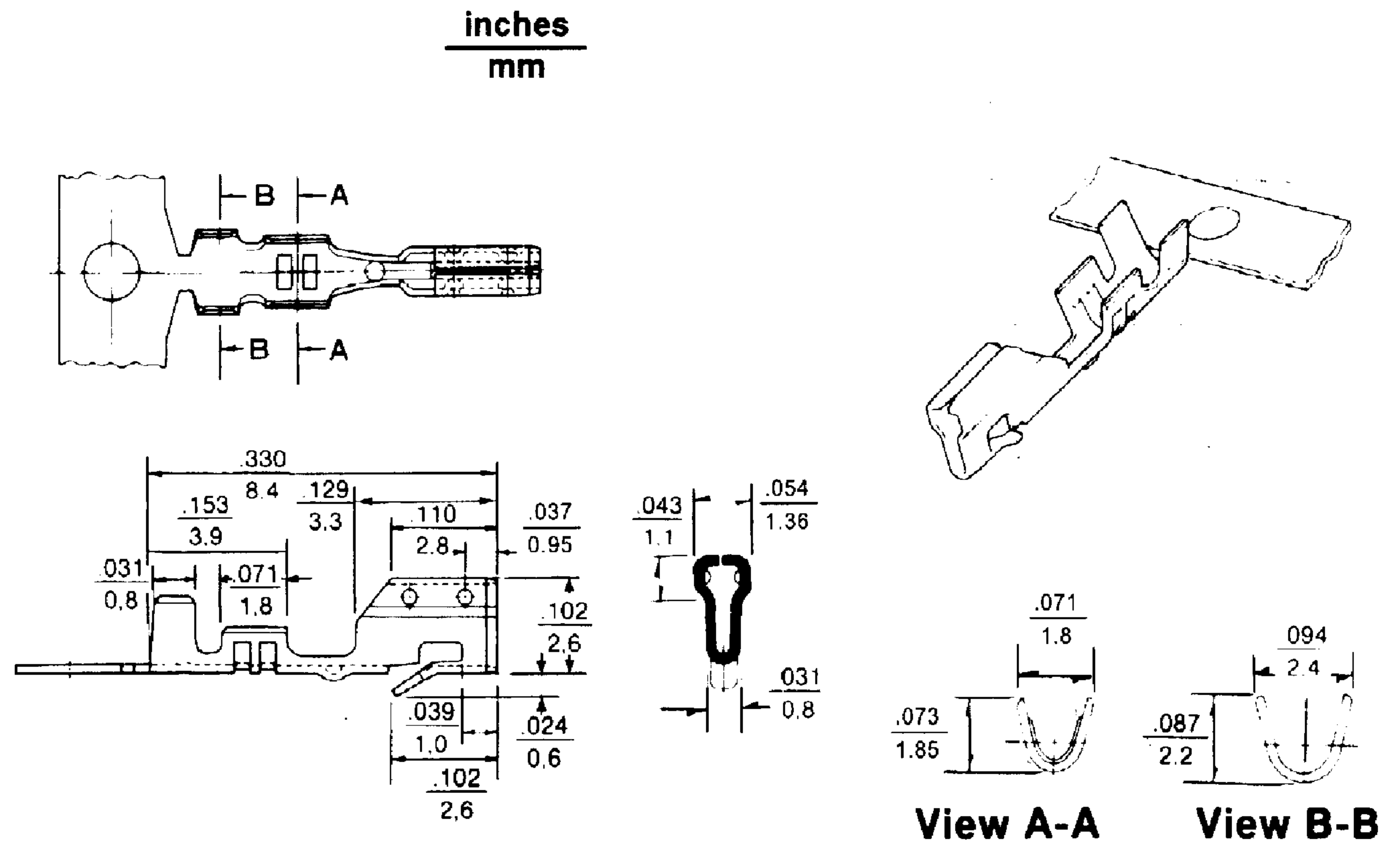


# .098" (2,5 mm) Crimp Terminal Housing

## 25008TF Series Crimp Terminal

### Features/Dimensions

- Low profile
- 4 point contact
- Pre-tinned brass or phosphor bronze
- Used in 25008HM-N series housing
- Wire range: # 22 – # 28 AWG
- Anti-fishhooking contact design



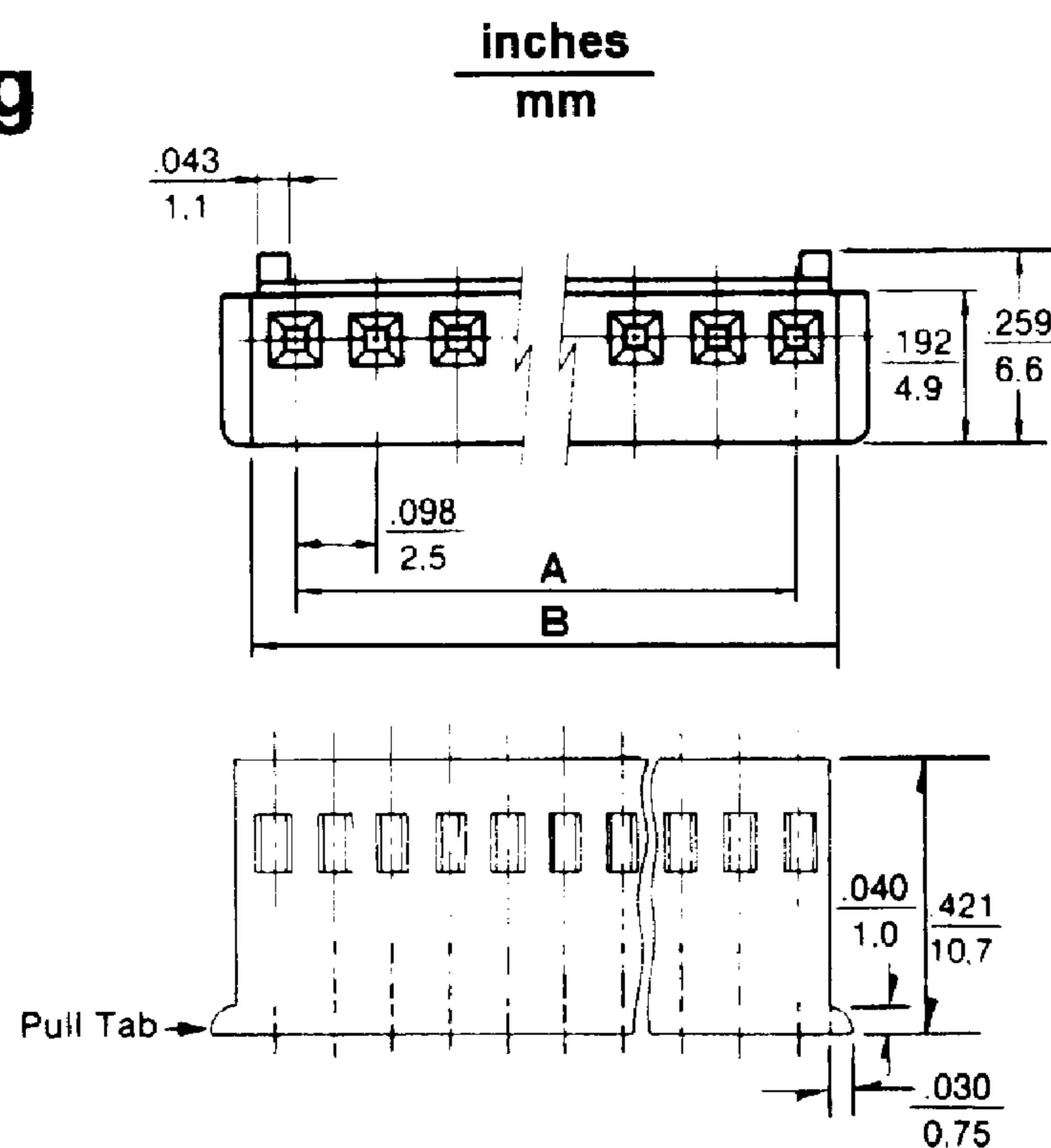
### Ordering Information

Part No.	Material
25008TF	Brass
25008TFP	Phosphor Bronze

## 25008HM-N Series Crimp Terminal Housing

### Features/Dimensions

- 2-20 Circuits
- Low profile
- UL 94V-0 nylon 66
- Molded pull tab
- Friction lock
- Accepts 25008TF terminal
- Mates with 25003W series headers
- Mates with 25008HF-N series housing (2-12P)



### Dimensional & Ordering Information-in. (mm)

Circuits	Dim. A	Dim. B
2	.098 ( 2,5)	.236 ( 6,0)
3	.197 ( 5,0)	.335 ( 8,5)
4	.295 ( 7,5)	.433 (11,0)
5	.394 (10,0)	.531 (13,5)
6	.492 (12,5)	.630 (16,0)
7	.591 (15,0)	.728 (18,5)
8	.689 (17,5)	.827 (21,0)
9	.787 (20,0)	.925 (23,5)
10	.886 (22,5)	1.024 (26,0)
11	.984 (25,0)	1.122 (28,5)

Circuits	Dim. A	Dim. B
12	1.083 (27,5)	1.220 (31,0)
13	1.181 (30,0)	1.319 (33,5)
14	1.280 (32,5)	1.417 (36,0)
15	1.378 (35,0)	1.516 (38,5)
16	1.476 (37,5)	1.614 (41,0)
17	1.575 (40,0)	1.713 (43,5)
18	1.673 (42,5)	1.811 (46,0)
19	1.772 (45,0)	1.909 (48,5)
20	1.870 (47,5)	2.007 (51,0)