

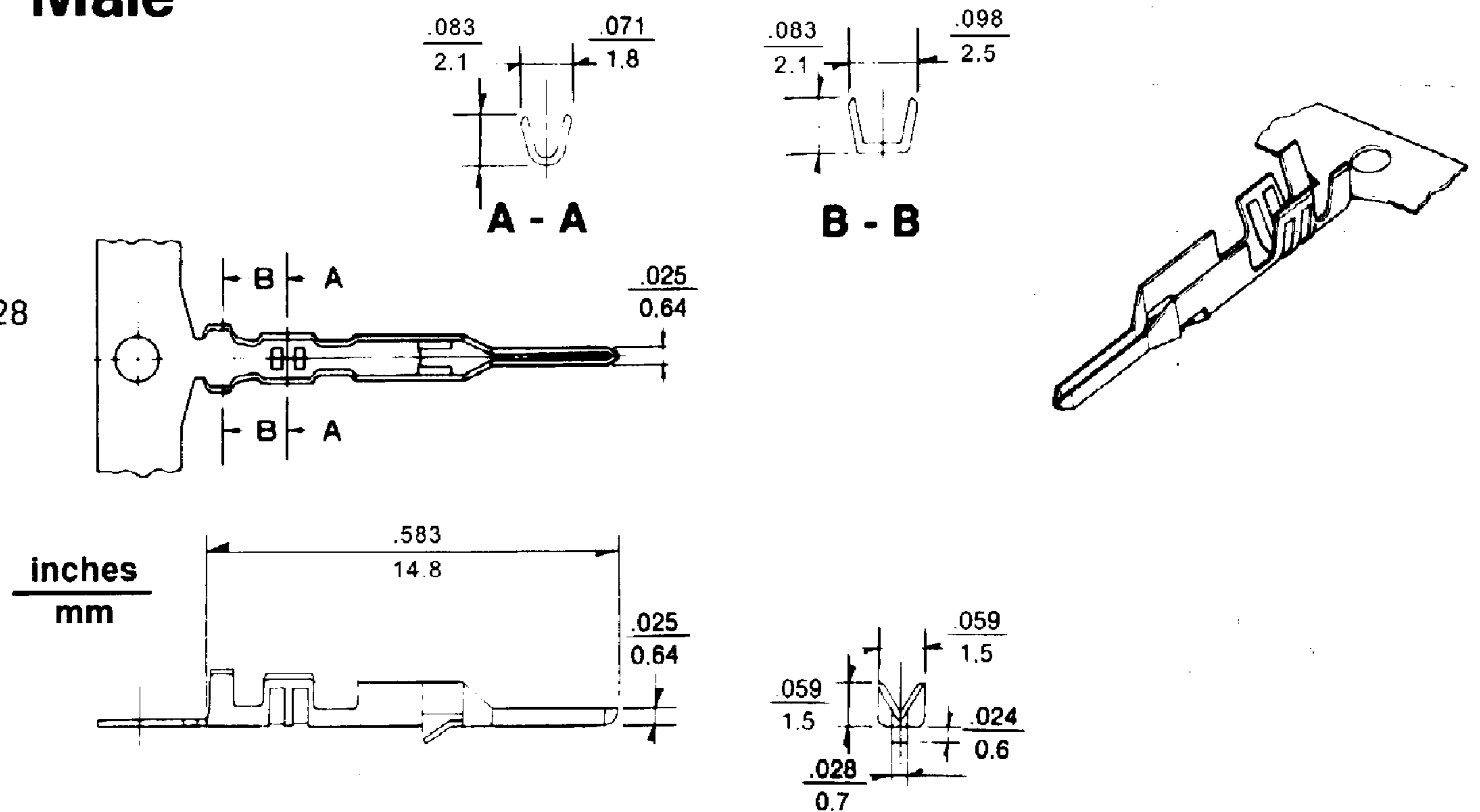
.098" (2,5 mm) Crimp Terminal Housings

25008TM Series

Crimp Terminal, Male

Features/Dimensions:

- Rigid contact
- Pre-tinned brass
- Used in 25008HF-N series housing
- Wire range – AWG # 22 – # 28

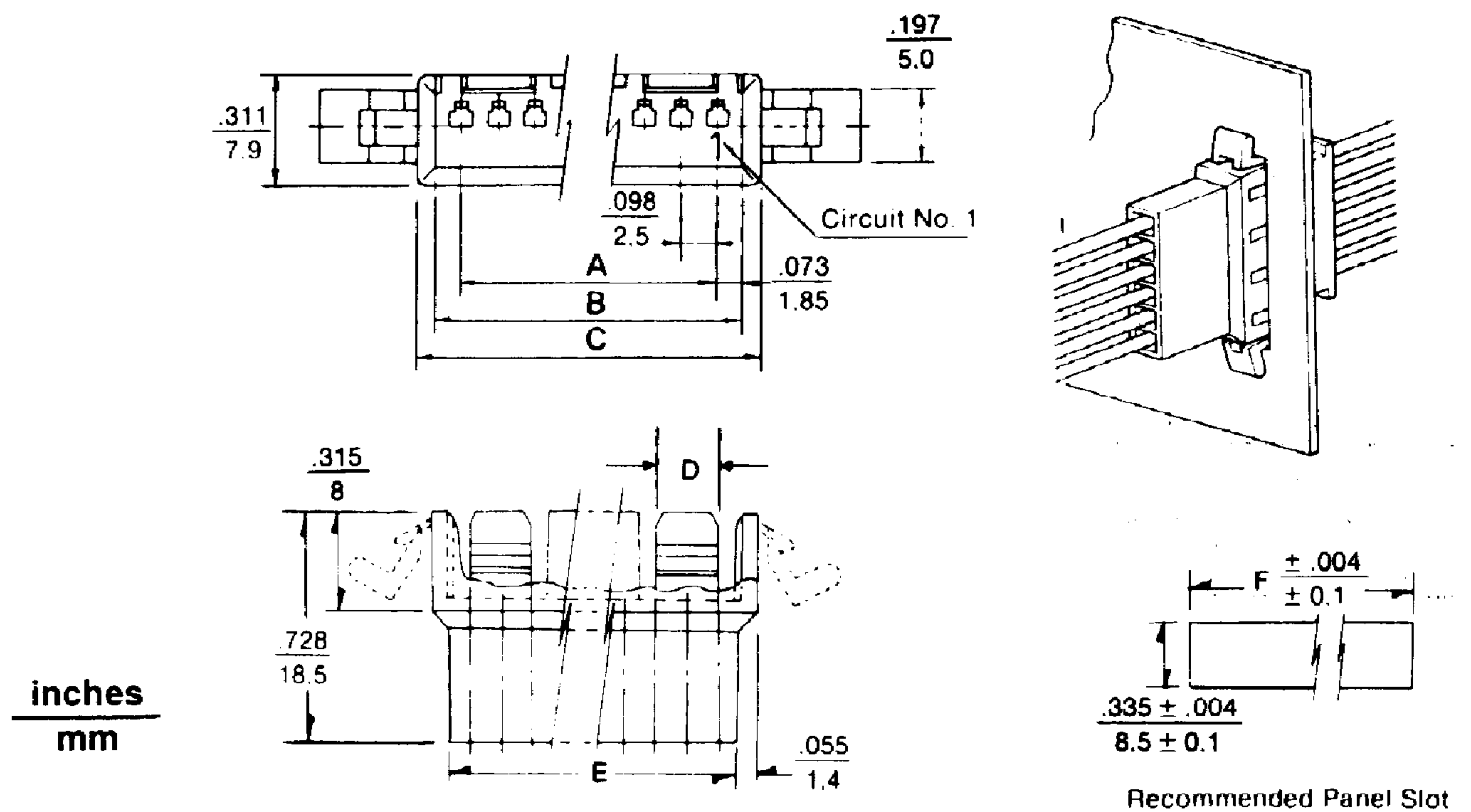


25008HF-N/25008HFE-N Series

Plug Housing

Features/Dimensions:

- 2-12 Circuits
- Wire to wire application
- Mounting ears 25008HFE-N
- Without mounting ears 25008HF-N
- UL 94V-0, nylon 66
- Accepts 25008TM terminal
- Mates with 25008HM-N series housing



Ordering and Dimensional Information - in. (mm)

Circuits	Dim. A	Dim. B	Dim. C	Dim. D	Dim. E	Dim. F
2	.098 (2,5)	.244 (6,2)	.338 (8,6)	.098 (2,5)	.228 (5,8)	.488 (12,4)
3	.197 (5,0)	.342 (8,7)	.437 (11,1)	.197 (5,0)	.327 (8,3)	.587 (14,9)
4	.295 (7,5)	.440 (11,2)	.535 (13,6)	.295 (7,5)	.425 (10,8)	.685 (17,4)
5	.393 (10,0)	.539 (13,7)	.633 (16,1)	.145 (3,7)	.524 (13,3)	.783 (19,9)
6	.492 (12,5)	.637 (16,2)	.732 (18,6)	.197 (5,0)	.622 (15,8)	.882 (22,4)
7	.591 (15,0)	.736 (18,7)	.830 (21,1)	.197 (5,0)	.720 (18,3)	.980 (24,9)
8	.689 (17,5)	.834 (21,2)	.929 (23,6)	.197 (5,0)	.819 (20,8)	1.079 (27,4)
9	.787 (20,0)	.933 (23,7)	1.027 (26,1)	.197 (5,0)	.917 (23,3)	1.177 (29,9)
10	.886 (22,5)	1.031 (26,2)	1.125 (28,6)	.197 (5,0)	1.016 (25,8)	1.276 (32,4)
11	.984 (25,0)	1.130 (28,7)	1.224 (31,1)	.197 (5,0)	1.114 (28,3)	1.374 (34,9)
12	1.083 (27,5)	1.228 (31,2)	1.323 (33,6)	.197 (5,0)	1.213 (30,8)	1.472 (37,4)