

.098" (2,5 mm) Board-In Terminal and Housing

Specifications

- Current rating: 3A AC, DC
- Voltage rating: 250V AC, DC
- Temperature range: -40°C ~ 105°C
- Insulation resistance: 1,000MΩ min.
- Withstand voltage: 1,000V AC/minute
- Applicable wires: AWG #28 ~ #20
- Applicable PC board thickness: .063" (1.6mm)

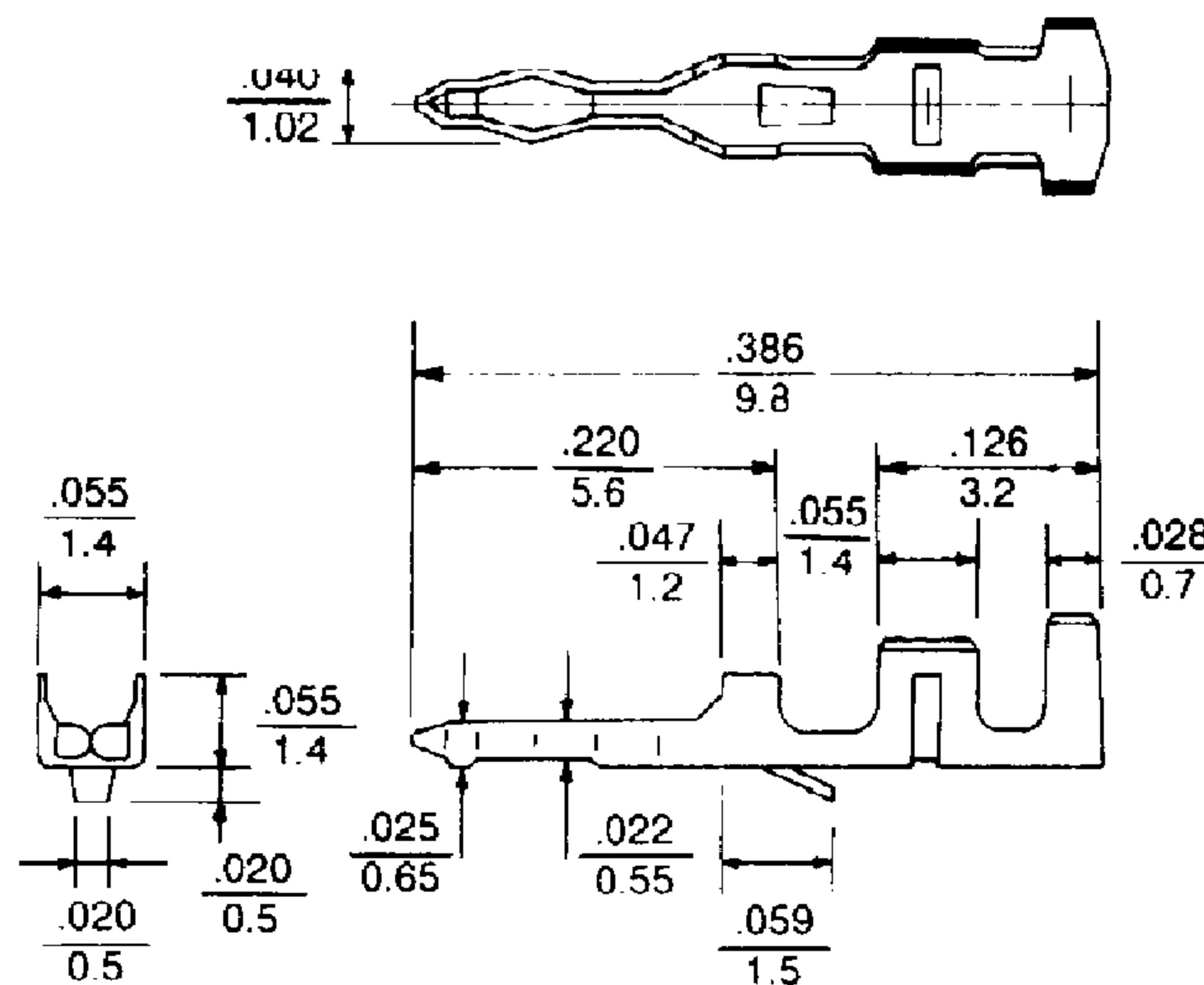
25011T Series

Crimp Terminal

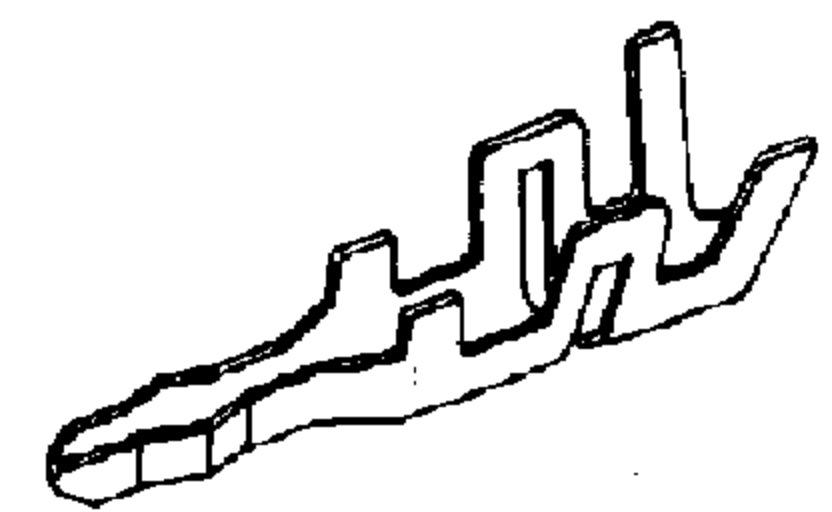
- Used in 25011H-N series housing
- Applicable wires: AWG #28 ~ #20
- Material: Tin-plated brass
- Insulation O.D.: .035" (0.9mm) ~ .075" (1.9mm)

Ordering Information

Part No.	Wire range
25011T1	#22~#28
25011T2	#20~#22



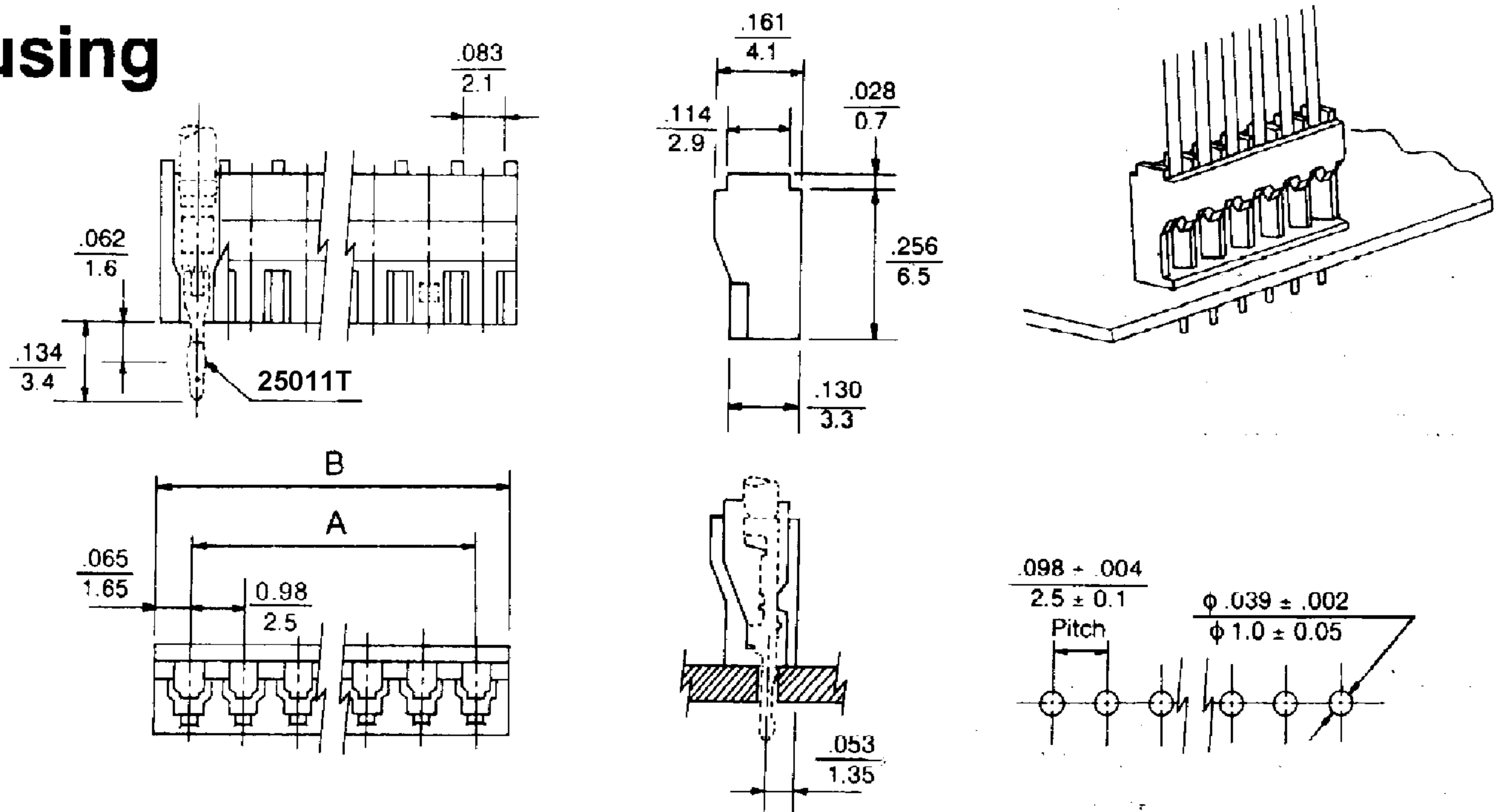
inches
mm



25011H-N Series

Crimp Terminal Housing

- Material: 94V-0 nylon
- 2-20 circuits available
- Accepts 25011T terminal



inches
mm

Dimensional Information - in. (mm)

Circuits	Dim. A	Dim. B	Circuits	Dim. A	Dim. B	Circuits	Dim. A	Dim. B
2	0.098(2.5)	0.228(5.8)	9	0.787(20.0)	0.917(23.3)	16	1.476(37.5)	1.606(40.8)
3	0.197(5.0)	0.327(8.3)	10	0.886(22.5)	1.016(25.8)	17	1.575(40.0)	1.705(43.3)
4	0.295(7.5)	0.425(10.8)	11	0.984(25.0)	1.114(28.3)	18	1.673(42.5)	1.803(45.8)
5	0.394(10.0)	0.524(13.3)	12	1.083(27.5)	1.213(30.8)	19	1.772(45.0)	1.902(48.3)
6	0.492(12.5)	0.622(15.8)	13	1.181(30.0)	1.311(33.3)	20	1.870(47.5)	2.000(50.8)
7	0.591(15.0)	0.720(18.3)	14	1.280(32.5)	1.409(35.8)			
8	0.689(17.5)	0.819(20.8)	15	1.378(35.0)	1.508(38.3)			