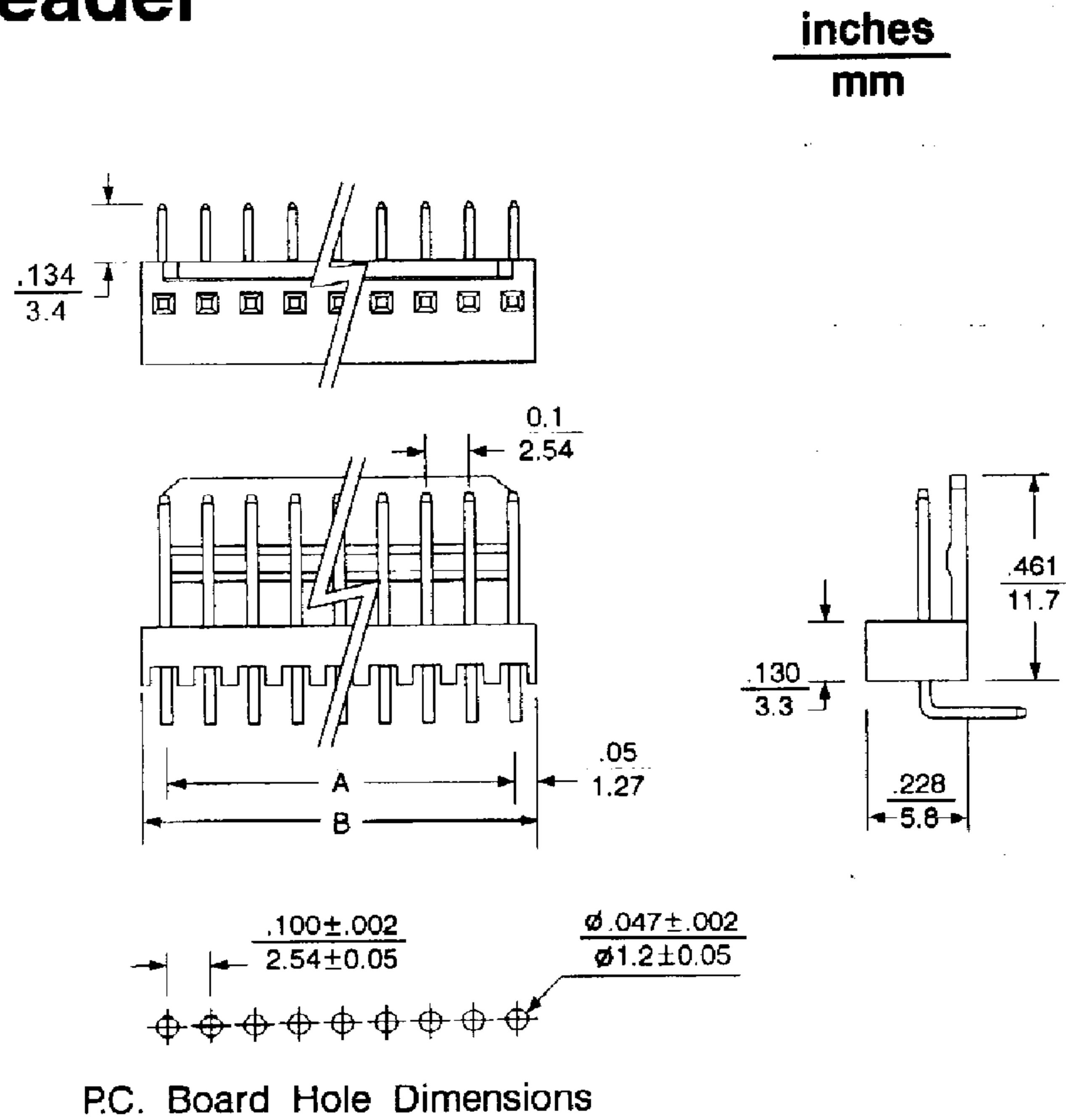


.100" (2.54mm) Center Headers

25404WRA-N Series

Right Angle Pin Friction Lock Header

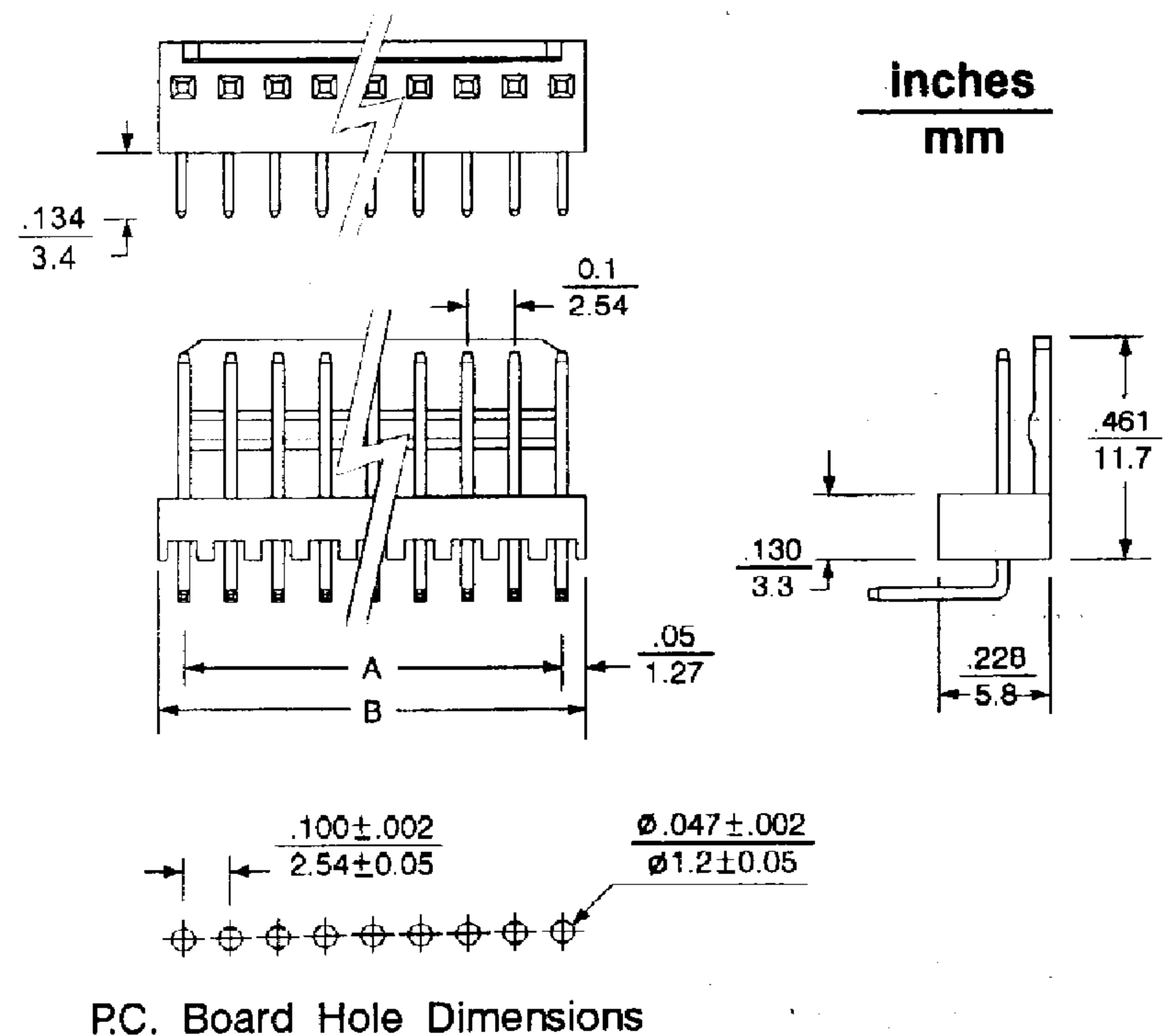
- 2 ~ 20 circuits available
- UL 94V-0 nylon
- .025" (0.64mm) right angle square wire pins
- Friction lock
- Various pin lengths available
- Mate with 25404H-N series housing
- Tin plated brass pins. Plating options available



25404WRB-N Series

Right Angle Pin Friction Lock Header

- 2 ~ 20 circuits available
- UL 94V-0 nylon
- .025" (0.64mm) right angle square wire pins
- Friction lock
- Various pin lengths available
- Mate with 25404H-N series housing
- Tin plated brass pins. Plating options available



Dimensional Information - in (mm)

Circuits	Dim. A	Dim. B	Circuits	Dim. A	Dim. B	Circuits	Dim. A	Dim. B
2	.100 (2.54)	.200 (5.08)	9	.800 (20.32)	.900 (22.86)	16	1.500 (38.10)	1.600 (40.64)
3	.200 (5.08)	.300 (7.62)	10	.900 (22.86)	1.000 (25.40)	17	1.600 (40.64)	1.700 (43.18)
4	.300 (7.62)	.400 (10.16)	11	1.000 (25.40)	1.100 (27.94)	18	1.700 (43.18)	1.800 (45.72)
5	.400 (10.16)	.500 (12.70)	12	1.100 (27.94)	1.200 (30.48)	19	1.800 (45.72)	1.900 (48.26)
6	.500 (12.70)	.600 (15.24)	13	1.200 (30.48)	1.300 (33.02)	20	1.900 (48.26)	2.000 (50.80)
7	.600 (15.24)	.700 (17.78)	14	1.300 (33.02)	1.400 (35.56)			
8	.700 (17.78)	.800 (20.32)	15	1.400 (35.56)	1.500 (38.10)			