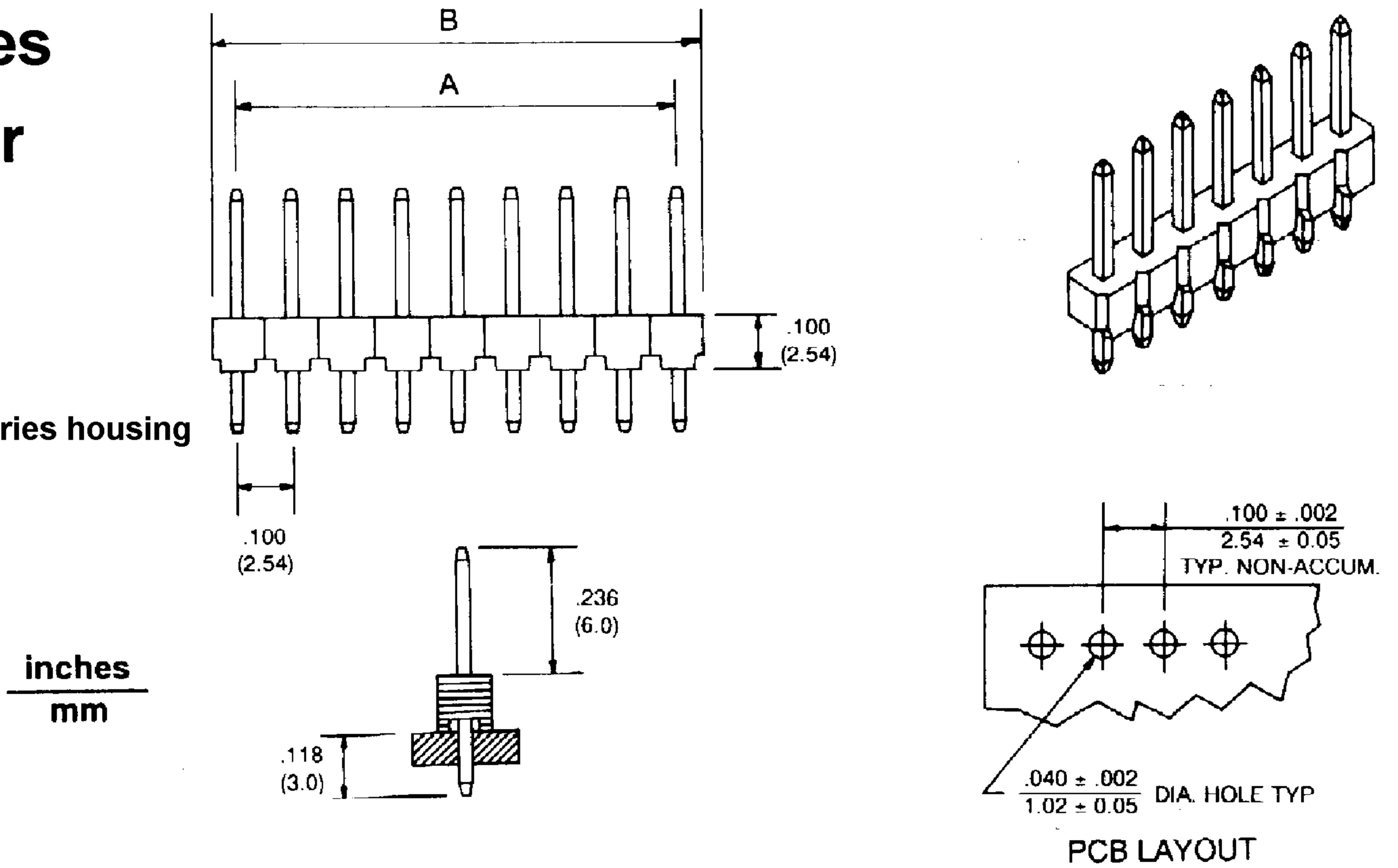


# .100" (2,54mm) Center Headers

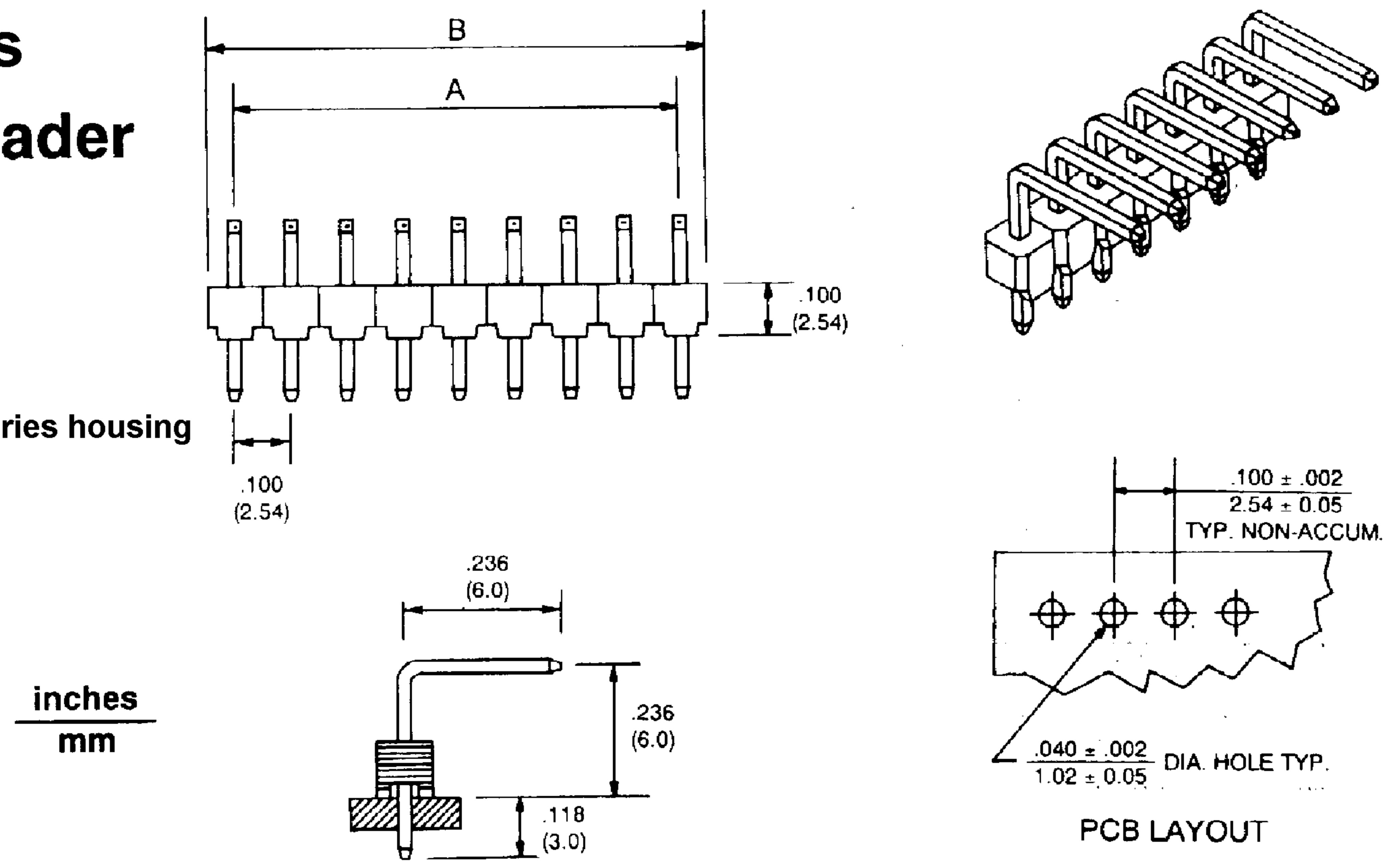
## 25409WMS-N Series Straight Flat Header

- .025" (0.64mm) straight square wire pins
- Various pin lengths available
- 1-40 circuits available
- Mates with 25402H-N 25409WF-N series housing
- Stackable side-to-side and end-to-end



## 25409WMR2 Series Right Angle Flat header

- PBT, UL 94V-0
- .025" (0.64mm) right angle square wire pins
- Various pin lengths available
- 1-40 circuits available
- Mates with 25402H-N 25409WF-N series housing
- Stackable end-to-end



### Dimensional Information - in. (mm)

Circuits	Dim. A	Dim. B	Circuits	Dim. A	Dim. B	Circuits	Dim. A	Dim. B
1		.100 ( 2.54)	15	1.400 (35.56)	1.500 (38.10)	29	2.800 (71.12)	2.900 ( 73.66)
2	.100 ( 2.54)	.200 ( 5.08)	16	1.500 (38.10)	1.600 (40.64)	30	2.900 (73.66)	3.000 ( 76.20)
3	.200 ( 5.08)	.300 ( 7.62)	17	1.600 (40.64)	1.700 (43.18)	31	3.000 (76.20)	3.100 ( 78.74)
4	.300 ( 7.62)	.400 (10.16)	18	1.700 (43.18)	1.800 (45.72)	32	3.100 (78.74)	3.200 ( 81.28)
5	.400 (10.16)	.500 (12.70)	19	1.800 (45.72)	1.900 (48.26)	33	3.200 (81.28)	3.300 ( 83.82)
6	.500 (12.70)	.600 (15.24)	20	1.900 (48.26)	2.000 (50.80)	34	3.300 (83.82)	3.400 ( 86.36)
7	.600 (15.24)	.700 (17.78)	21	2.000 (50.80)	2.100 (53.34)	35	3.400 (86.36)	3.500 ( 88.90)
8	.700 (17.78)	.800 (20.32)	22	2.100 (53.34)	2.200 (55.88)	36	3.500 (88.90)	3.600 ( 91.44)
9	.800 (20.32)	.900 (22.86)	23	2.200 (55.88)	2.300 (58.42)	37	3.600 (91.44)	3.700 ( 93.98)
10	.900 (22.86)	1.000 (25.40)	24	2.300 (58.42)	2.400 (60.96)	38	3.700 (93.98)	3.800 ( 96.52)
11	1.000 (25.40)	1.100 (27.94)	25	2.400 (60.96)	2.500 (63.50)	39	3.800 (96.52)	3.900 ( 99.06)
12	1.100 (27.94)	1.200 (30.48)	26	2.500 (63.50)	2.600 (66.04)	40	3.900 (99.06)	4.000 (101.60)
13	1.200 (30.48)	1.300 (33.02)	27	2.600 (66.04)	2.700 (68.58)			
14	1.300 (33.02)	1.400 (35.56)	28	2.700 (68.58)	2.800 (71.12)			