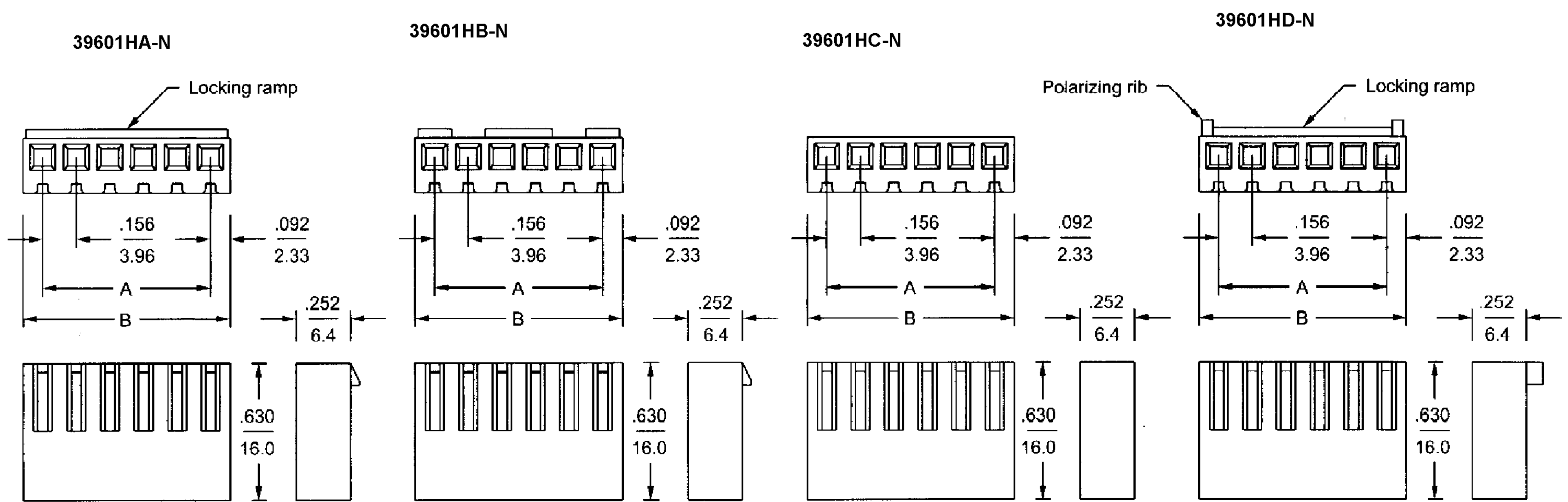


.156"(3.96mm) Center Crimp Terminal Housing

39601H-N Series Crimp Terminal Housing

inches
mm

- 2 ~ 25 circuits available
- UL 94V-2 nylon 66
- Accepts 39601T series terminals
- Mates with 39601K-1 Key
- Mates with 39601W-N series headers



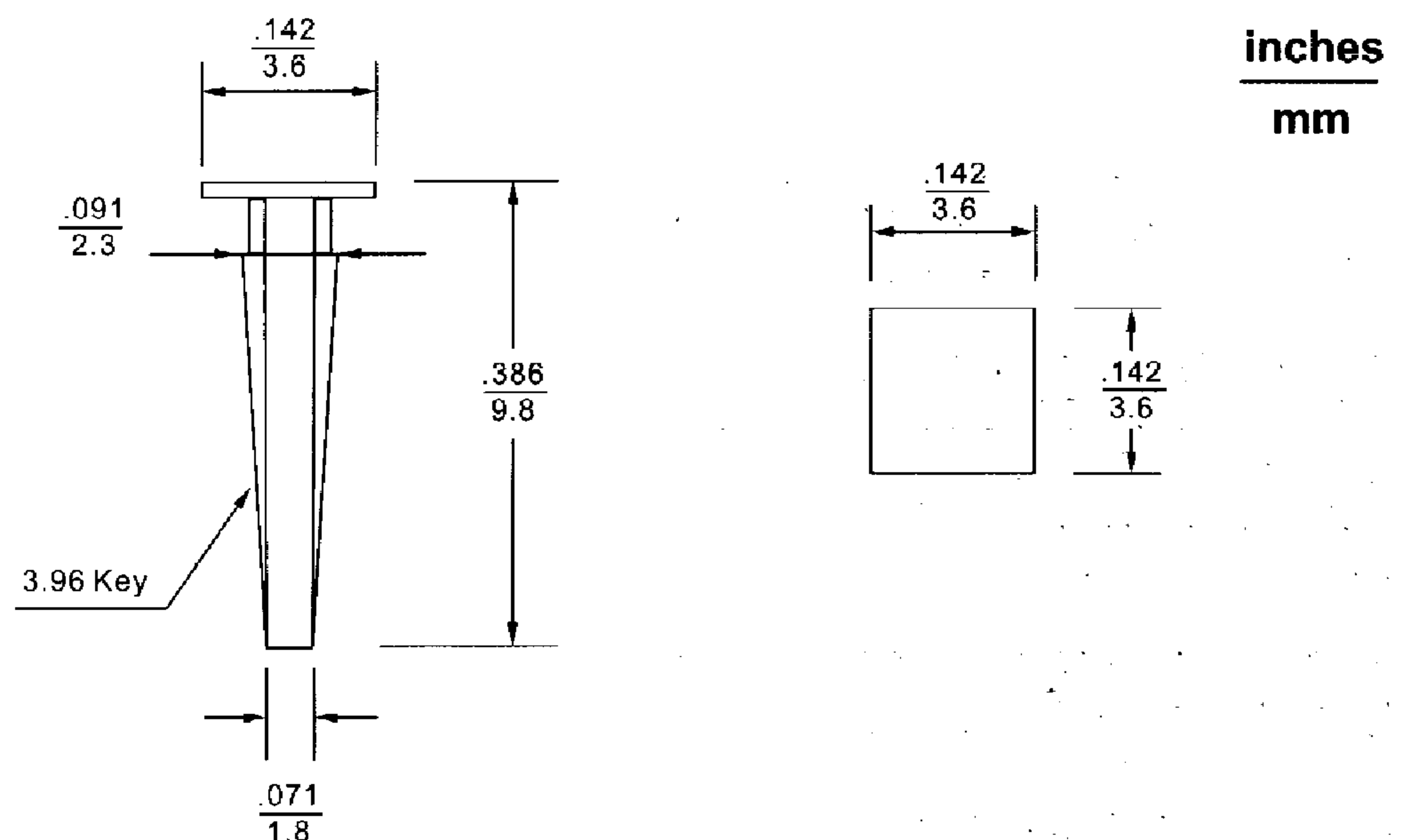
Dimensional Information - in (mm)

Circuits	Dim. A	Dim. B	Circuits	Dim. A	Dim. B	Circuits	Dim. A	Dim. B
2	0.156 (3.96)	0.339 (8.62)	10	1.403 (35.64)	1.587 (40.30)	18	2.650 (67.32)	2.834 (71.98)
3	0.312 (7.92)	0.495 (12.58)	11	1.559 (39.60)	1.743 (44.26)	19	2.805 (71.28)	2.990 (75.94)
4	0.468 (11.88)	0.651 (16.54)	12	1.715 (43.56)	1.898 (48.22)	20	2.962 (75.24)	3.146 (79.90)
5	0.624 (15.84)	0.807 (20.50)	13	1.871 (47.52)	2.054 (52.18)	21	3.118 (79.20)	3.302 (83.86)
6	0.780 (19.80)	0.963 (24.46)	14	2.027 (51.48)	2.210 (56.14)	22	3.274 (83.16)	3.457 (87.82)
7	0.935 (23.76)	1.119 (28.42)	15	2.183 (55.44)	2.366 (60.10)	23	3.430 (87.12)	3.613 (91.78)
8	1.091 (27.72)	1.275 (32.38)	16	2.339 (59.40)	2.522 (64.06)	24	3.586 (91.08)	3.769 (95.74)
9	1.247 (31.68)	1.431 (36.34)	17	2.494 (63.36)	2.678 (68.02)	25	3.741 (95.04)	3.925 (99.70)

39601K-1

Housing Polarizing Key

- UL 94V-2 nylon 66
- Color: Nature
- Mate with 39601H-N series housing



inches
mm