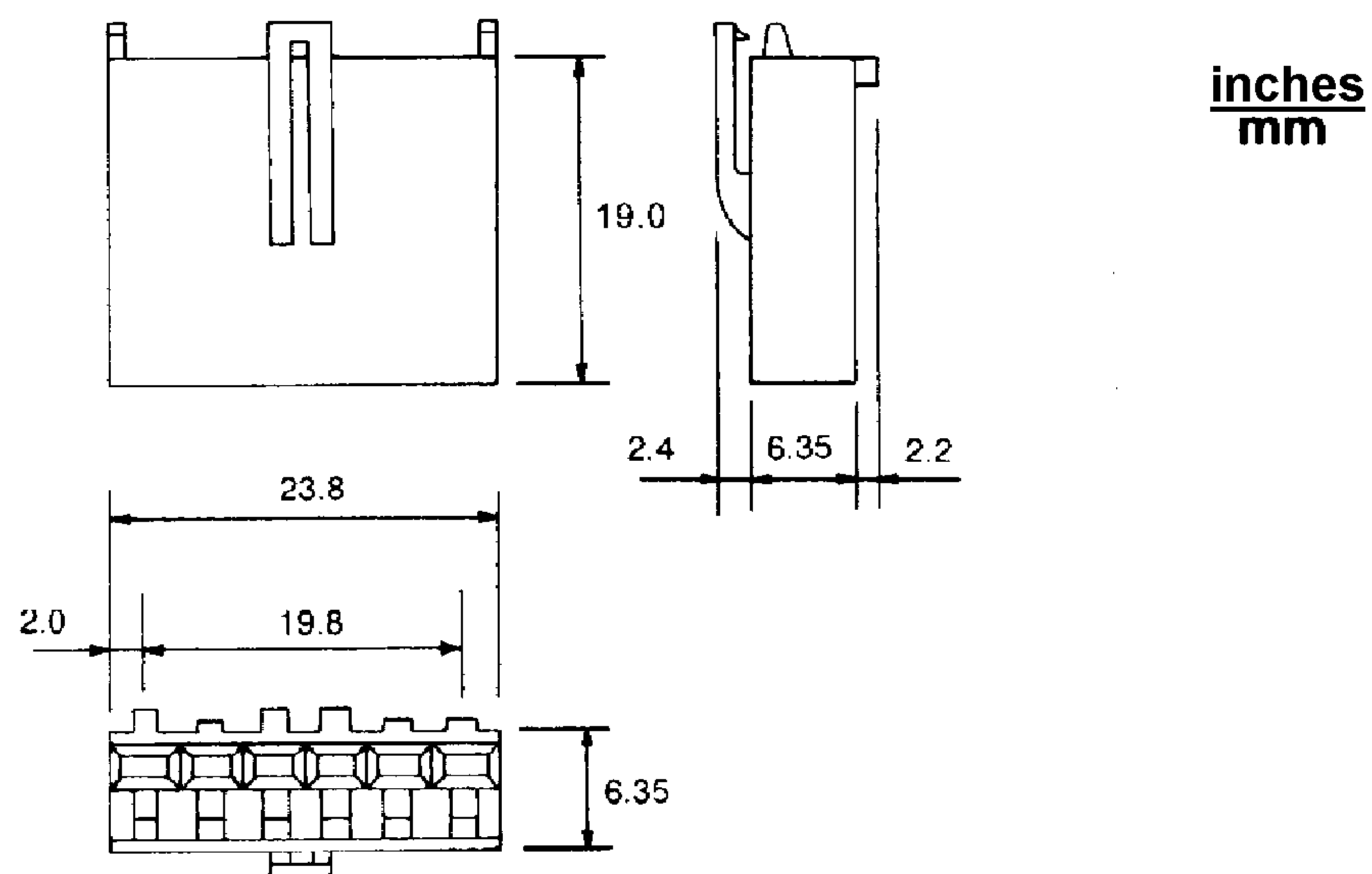


Power Connection System

39602H-06 Series Crimp Terminal Housing

- Circuits Available: 6 Circuit. (with locking key)
- Material: 94V-2 nylon 66. (white color)
- Voltage Rating: 250V AC.
- Current Rating: 5A Max.
- Dielectric Strength: 1500V.
- Ambient Temperature Range: -40°C ~ 105°C.
- Mates with **39602WS-06 header**
- Accepts Terminal: 39601T series



HOUSING						
PART/NO	Keying at Circuit Positions					
	1	2	3	4	5	6
39602H-06	Yes	No	Yes	Yes	No	No
39602H-060	Yes	Yes	Yes	Yes	Yes	Yes
39602H-061	Yes	No	No	No	No	No
39602H-062	No	Yes	No	No	No	No
39602H-063	No	No	Yes	No	No	No
39602H-064	No	No	No	Yes	No	No
39602H-065	No	No	No	No	Yes	No
39602H-066	No	No	No	No	No	Yes

39602WS-06 Series Straight Pin Friction Lock Header

- 6 circuits
- Material: 94V-2 nylon
- Mates with 39602H-06 series housing
- Tin-plated brass pin

