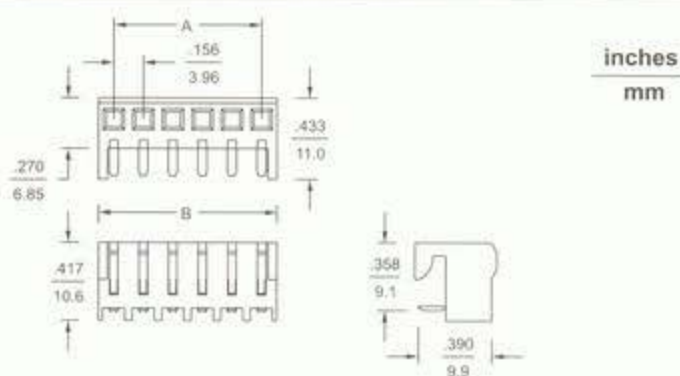
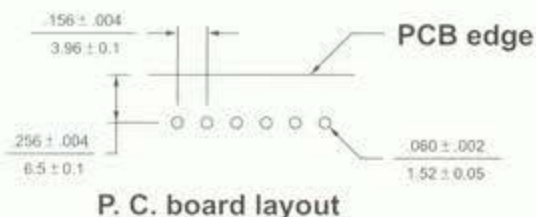


.156"(3.96mm) KK Type PC Board Connector

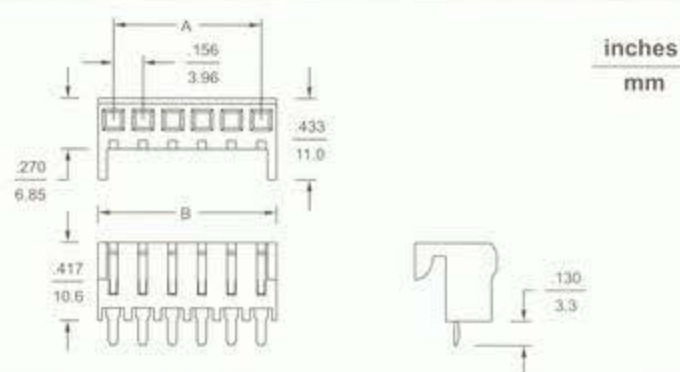
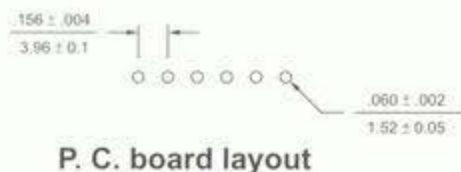
Specifications:

- Current rating: 5A Max.
- Voltage rating: 250V
- Contact resistance: 6mΩ Max.
- Insulation resistance: 50KMΩ Min.
- Dielectric withstanding voltage: 1500V AC/minute
- Temperature: 0°C ~ 75°C
- Recommended PCB thickness: .062"(1.57mm)
- 2 ~ 16 circuits available
- Contact material: Tin-plated brass
- Plastic material: Nylon, UL 94V-2
- Color: White

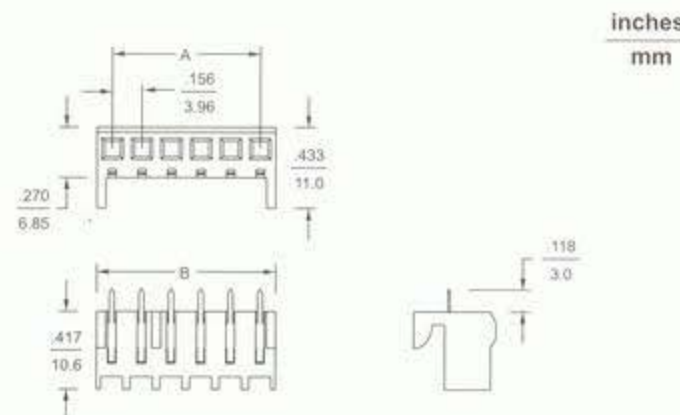
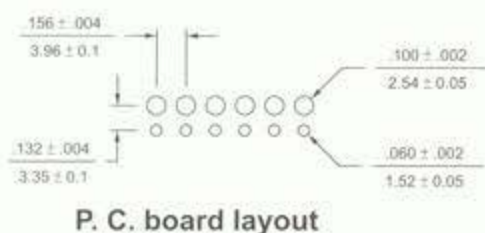
39605HA-N Right Angle



39605HB-N Top Entry



39605HC-N Bottom Entry



Dimensional Information (mm) 8675/8676/8677

Circuits	Dim. A	Dim. B
N	3.96 x (N - 1)	3.96 x N + 0.14

&& N = 2 ~ 16