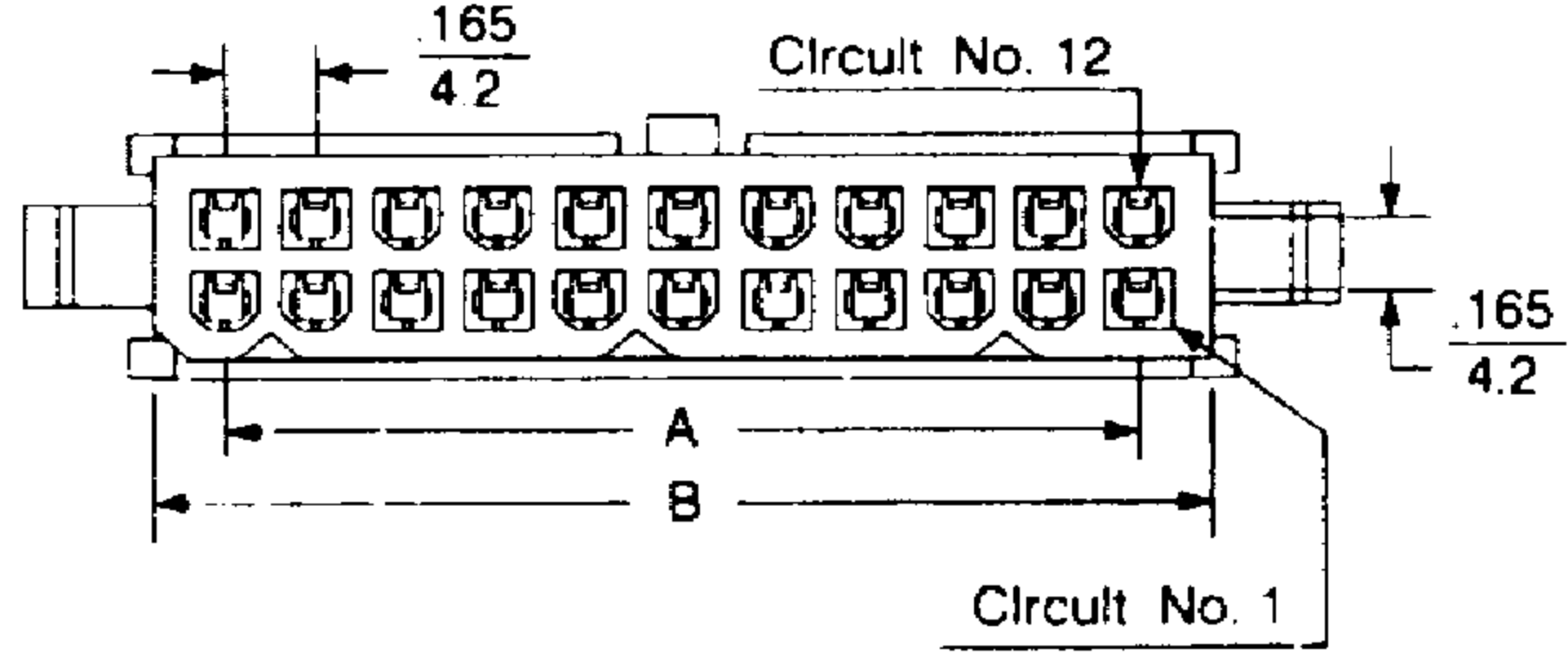
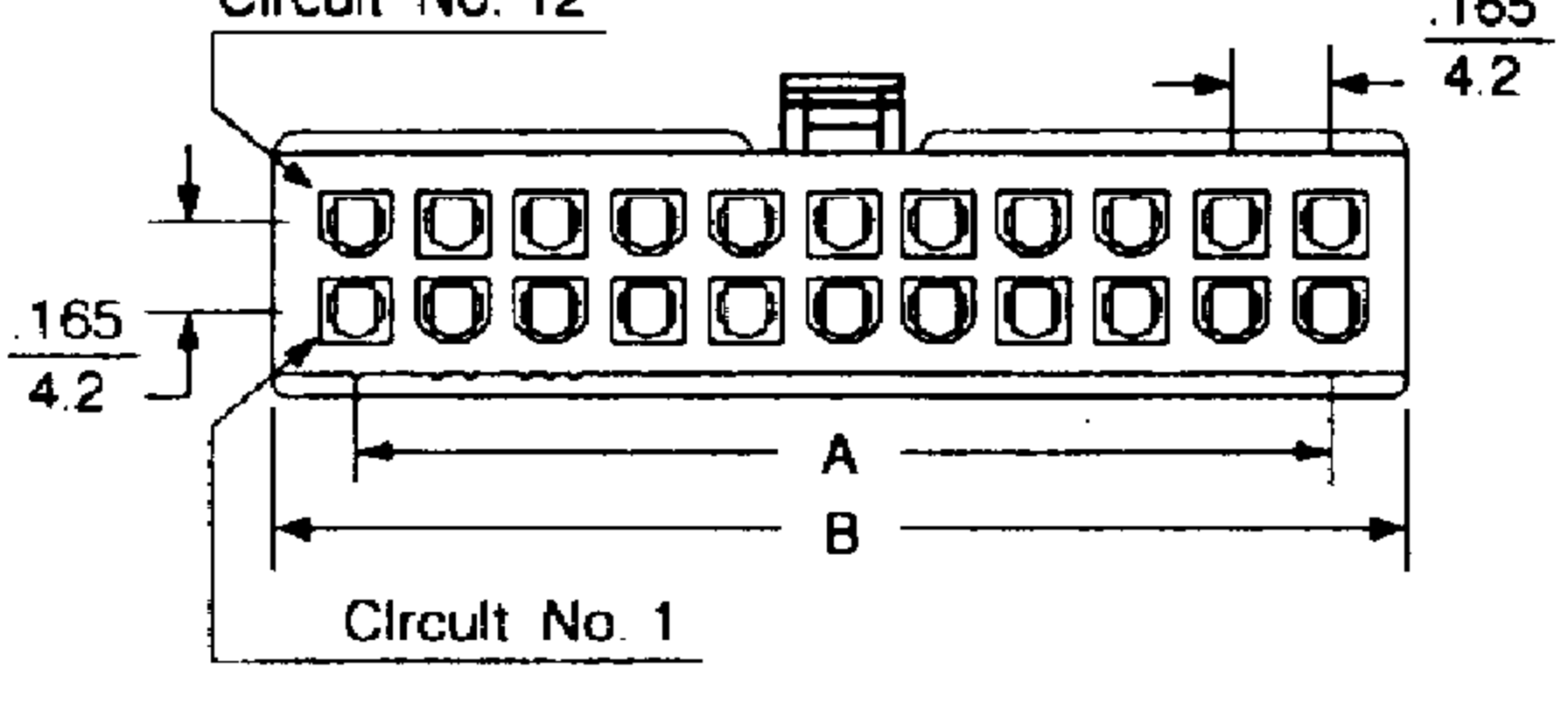
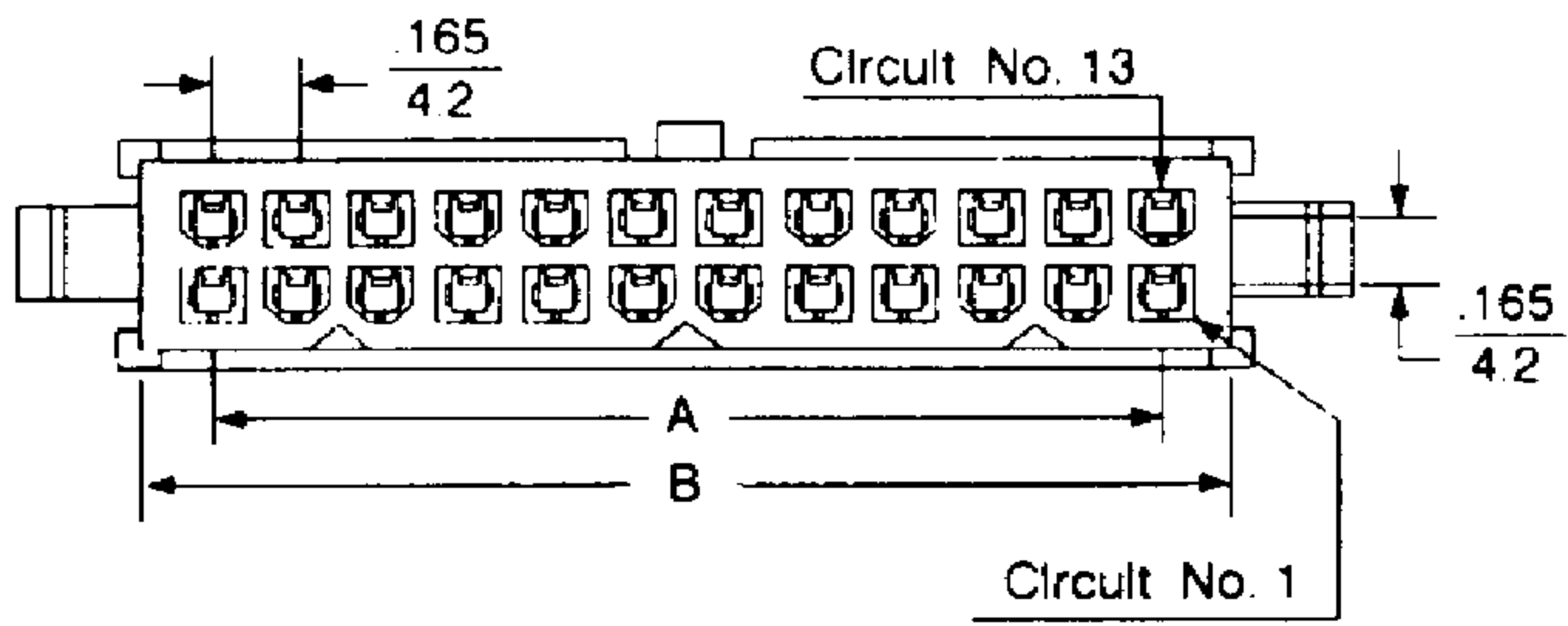
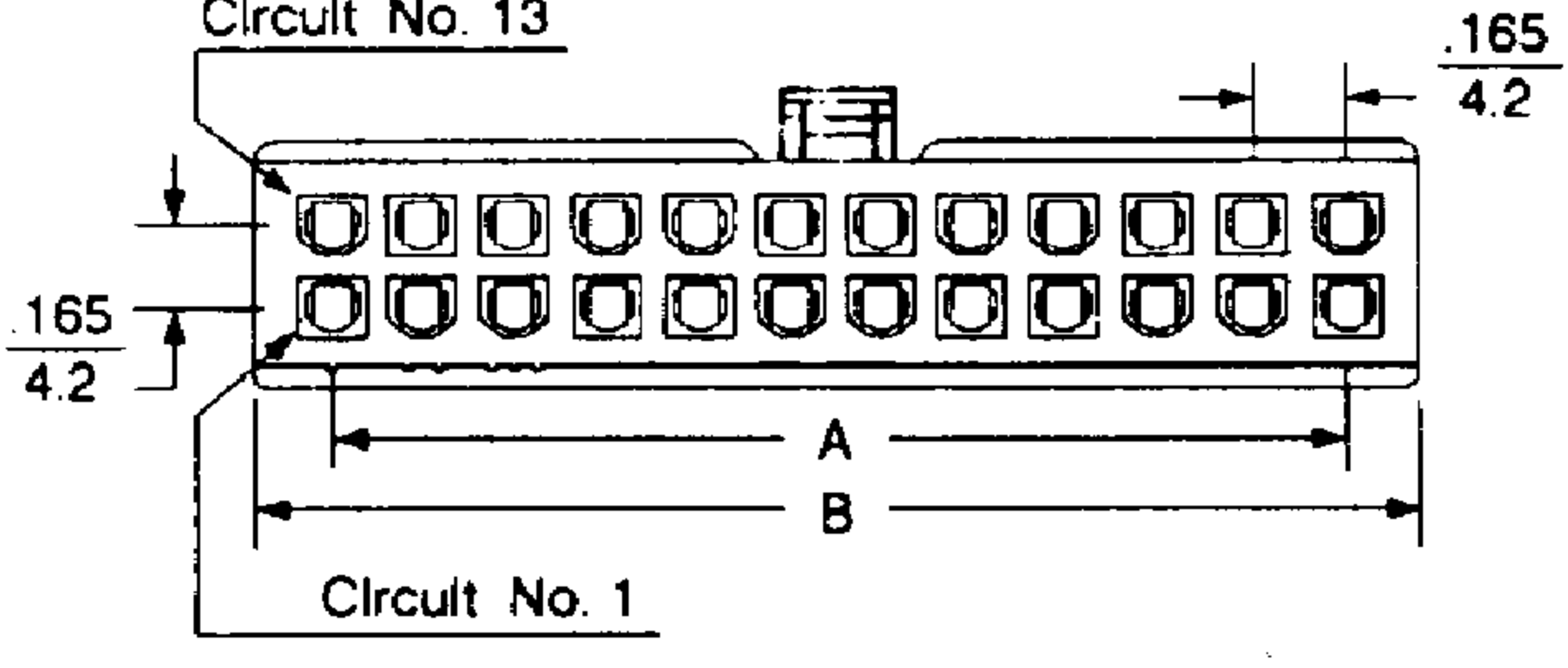
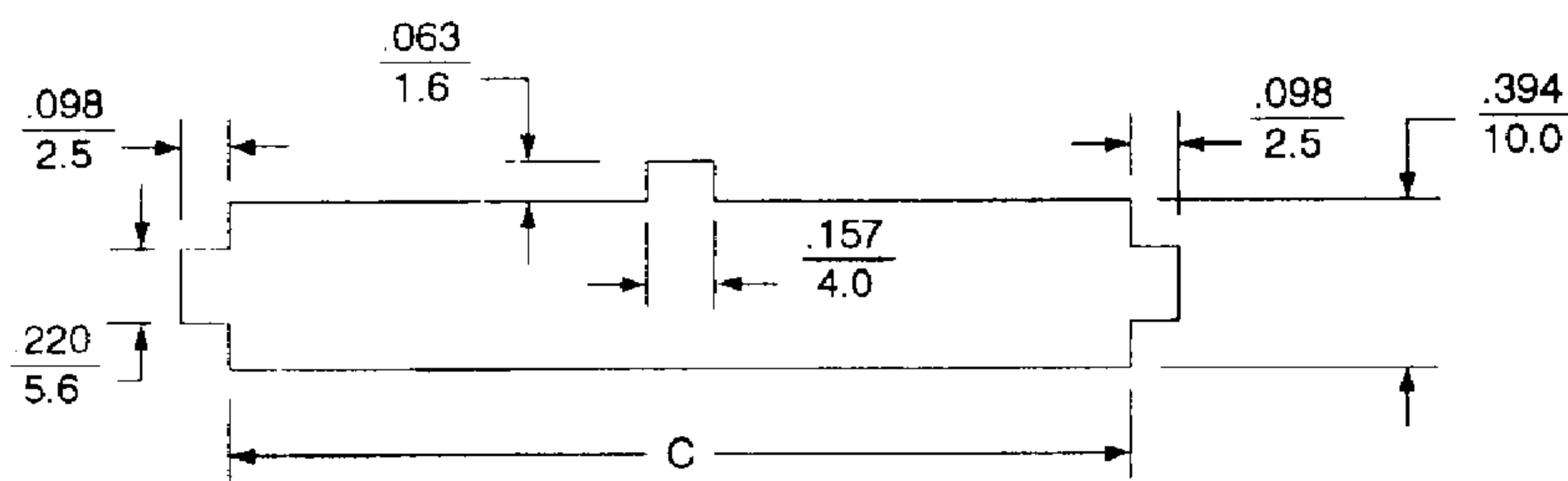


Circuits	Dimensional Information	
	Plug	Receptacle
22	42001HFE-22 42001HF-22 (W/O Mtg. Ears) 	42001HM-22 
24	42001HFE-24 42001HF-24 (W/O Mtg. Ears) 	42001HM-24 



Mounting Hole Details for 42001HFE-N Housing (Dual Row)
 Max. Panel Thickness: 2.54mm

Dimensional Information - in. (mm)

Circuits	Dim. A	Dim. B	Dim. C	Circuits	Dim. A	Dim. B	Dim. C
2		.213 (5.4)	.228 (5.8)	14	.992 (25.2)	1.205 (30.6)	1.220 (31.0)
4	.165 (4.2)	.378 (9.6)	.394 (10.0)	16	1.157 (29.4)	1.370 (34.8)	1.386 (35.2)
6	.331 (8.4)	.543 (13.8)	.559 (14.2)	18	1.323 (33.6)	1.535 (39.0)	1.551 (39.4)
8	.496 (12.6)	.709 (18.0)	.724 (18.4)	20	1.488 (37.8)	1.701 (43.2)	1.717 (43.6)
10	.681 (16.8)	.874 (22.2)	.890 (22.6)	22	1.654 (42.0)	1.866 (47.4)	1.882 (47.8)
12	.827 (21.0)	1.039 (26.4)	1.055 (26.8)	24	1.819 (46.2)	2.031 (51.6)	2.047 (52.0)

• Current Rating & Wire Size:

Wire Size AWG	Rated Voltage	Circuits			
		2	4 - 6	8 - 10	12 - 24
# 18	250V	9A	8A	7A	6A
# 20		7A	6A	5A	5A
# 22		5A	4A	4A	4A
# 24		4A	3A	3A	3A