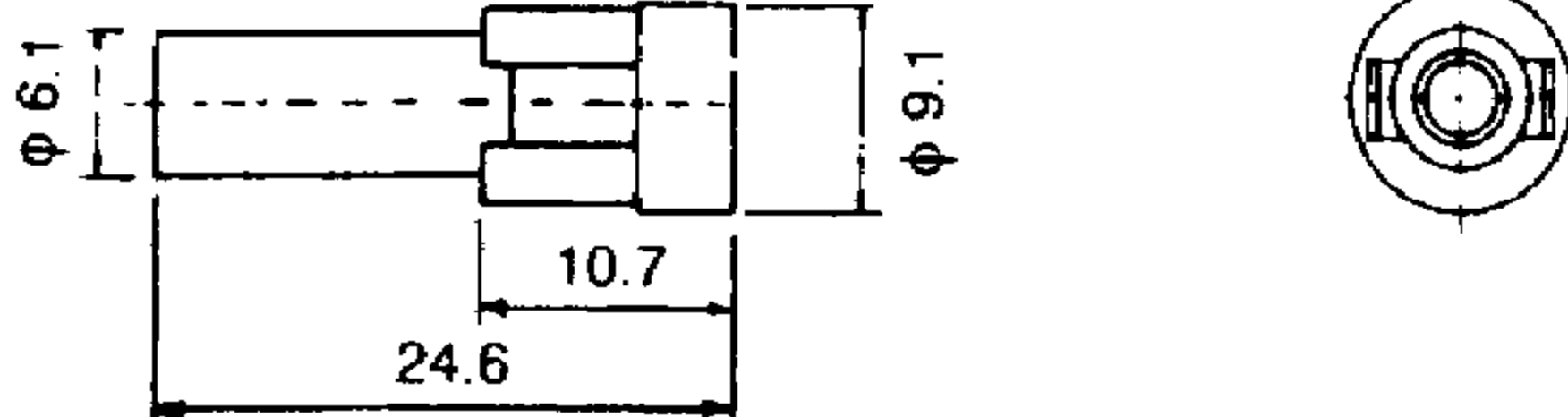
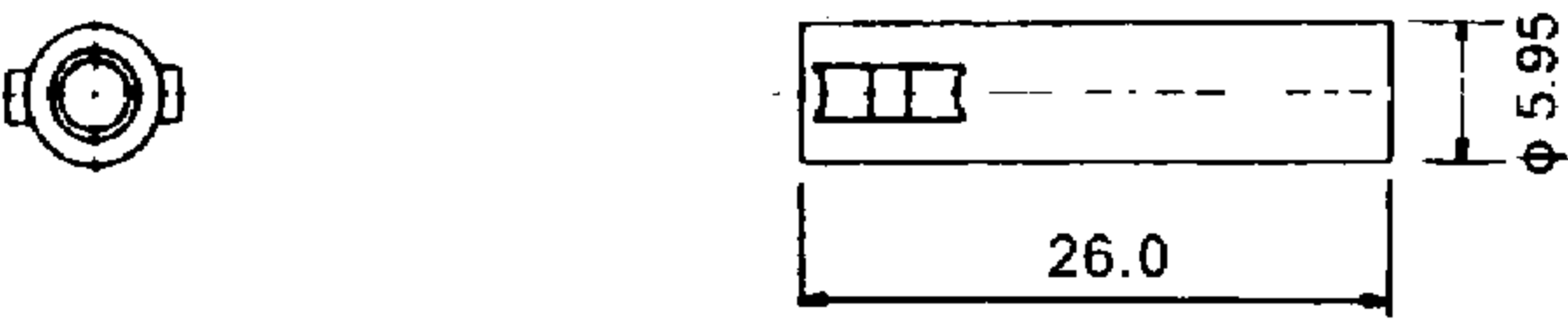
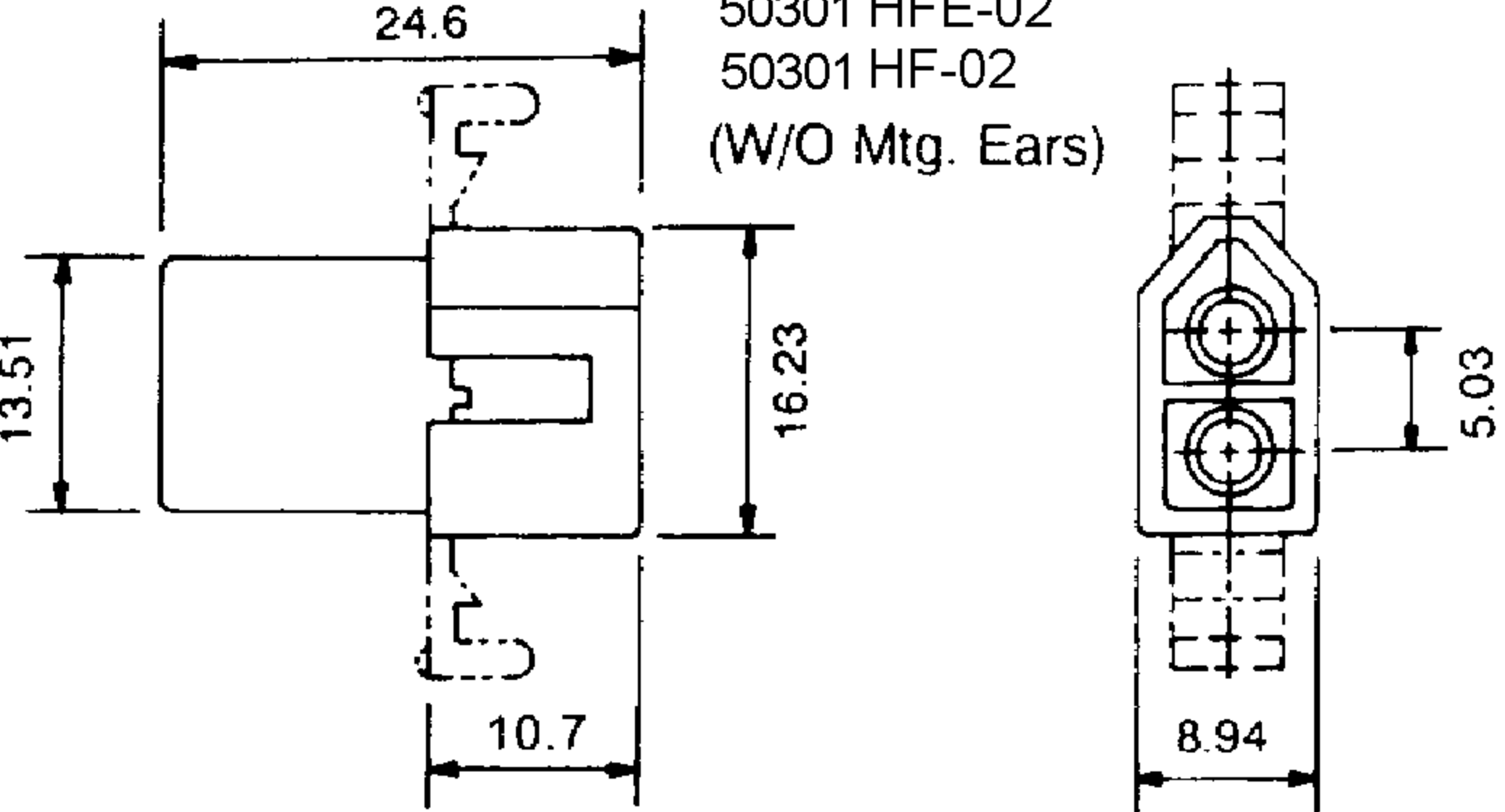
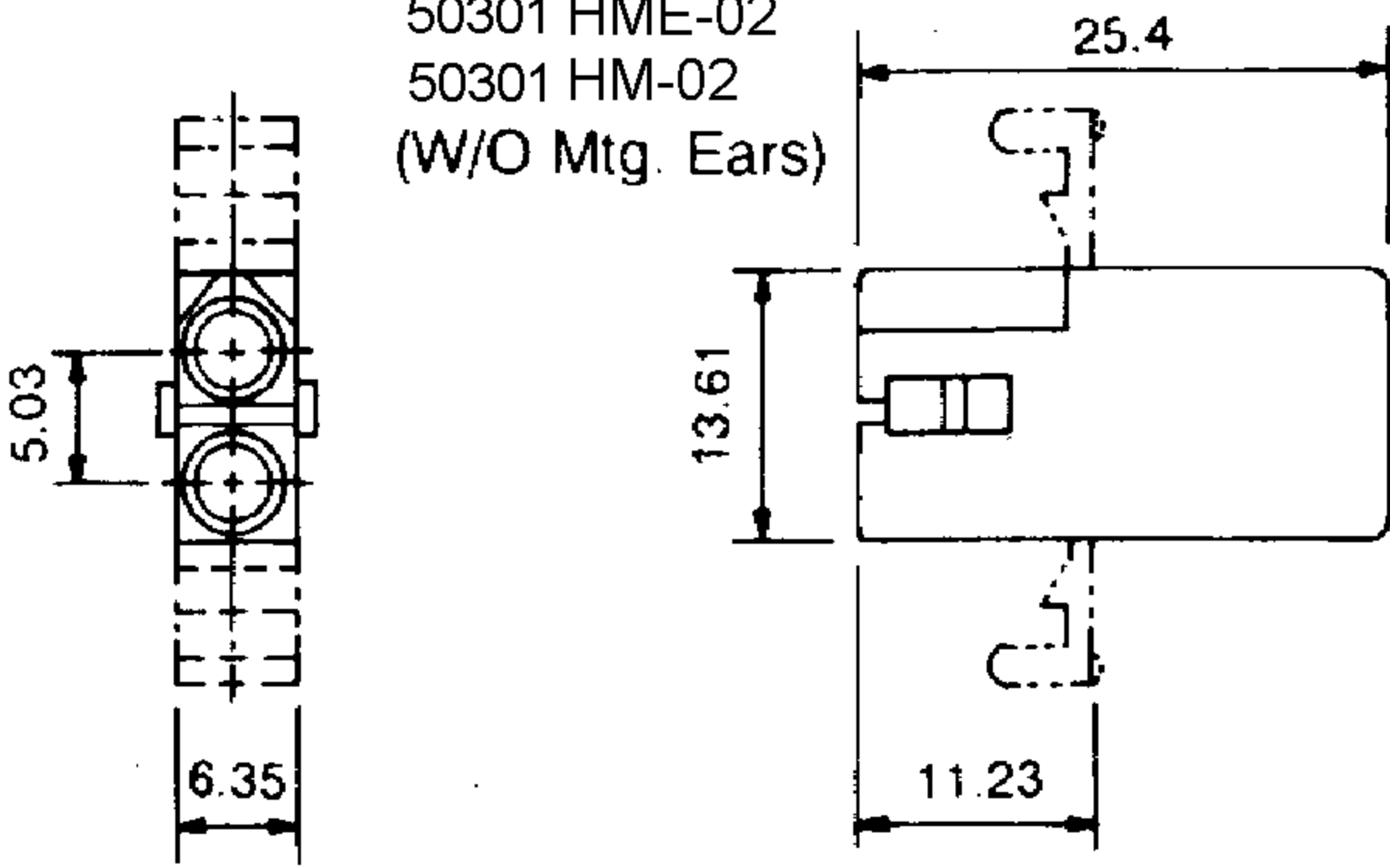
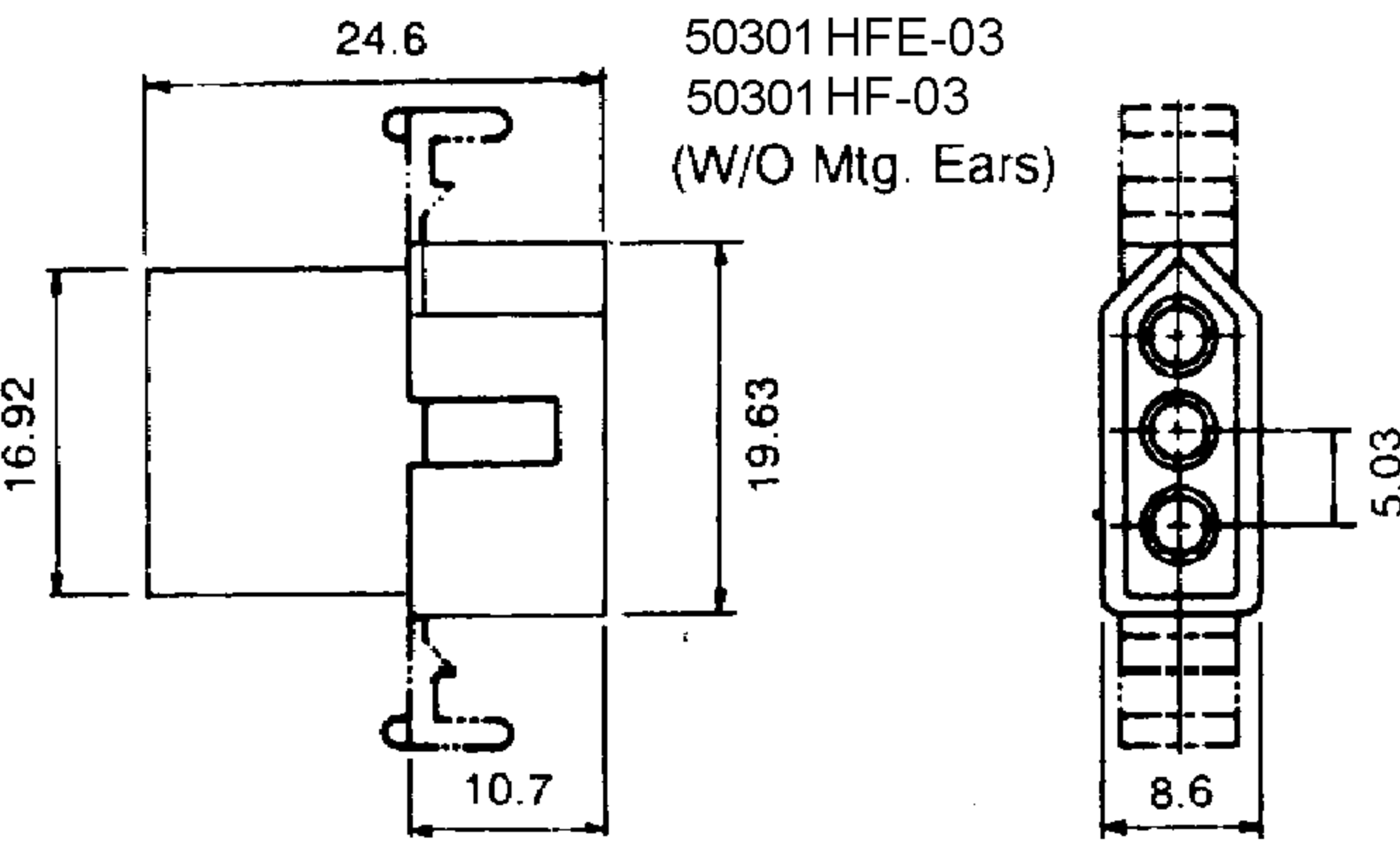
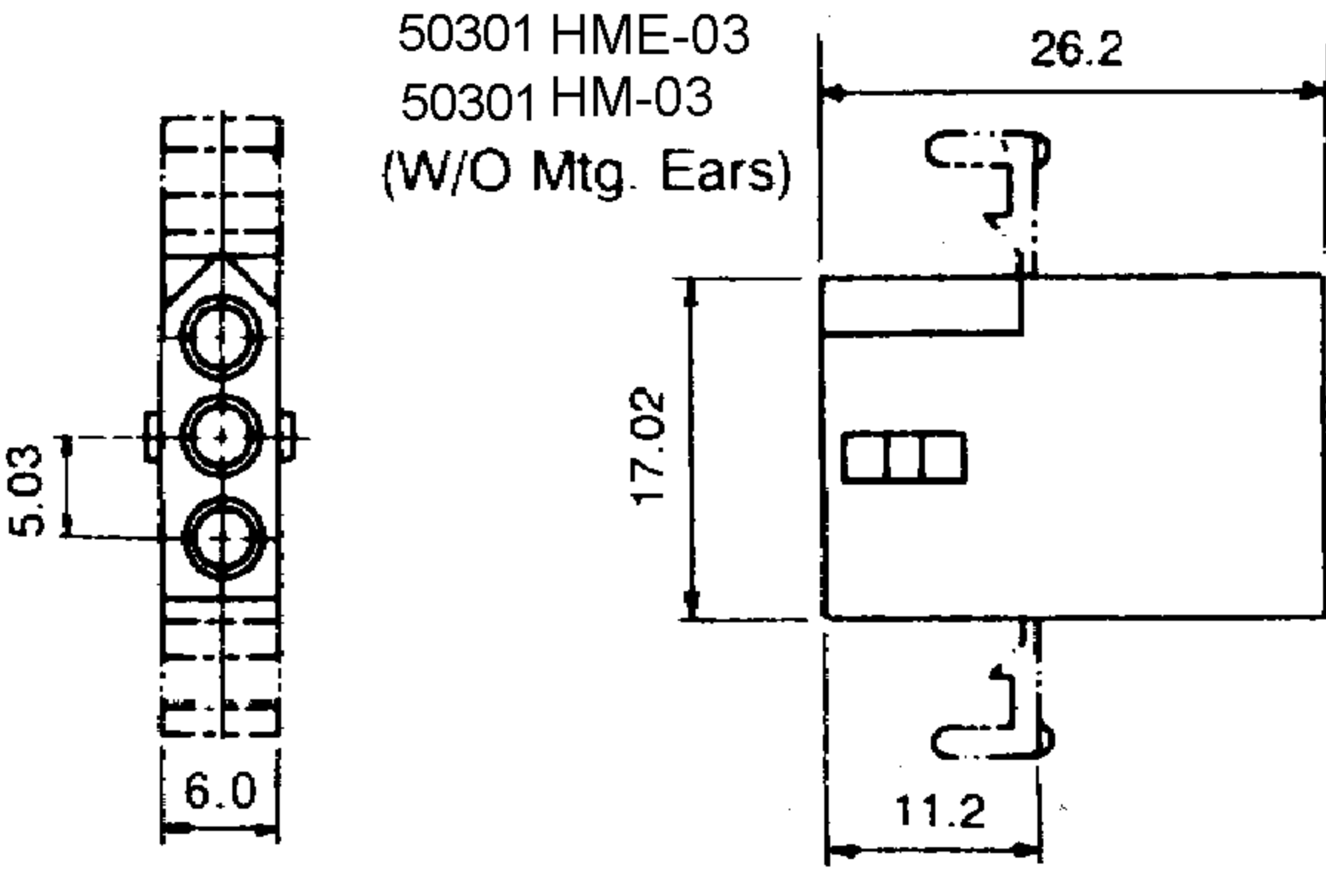
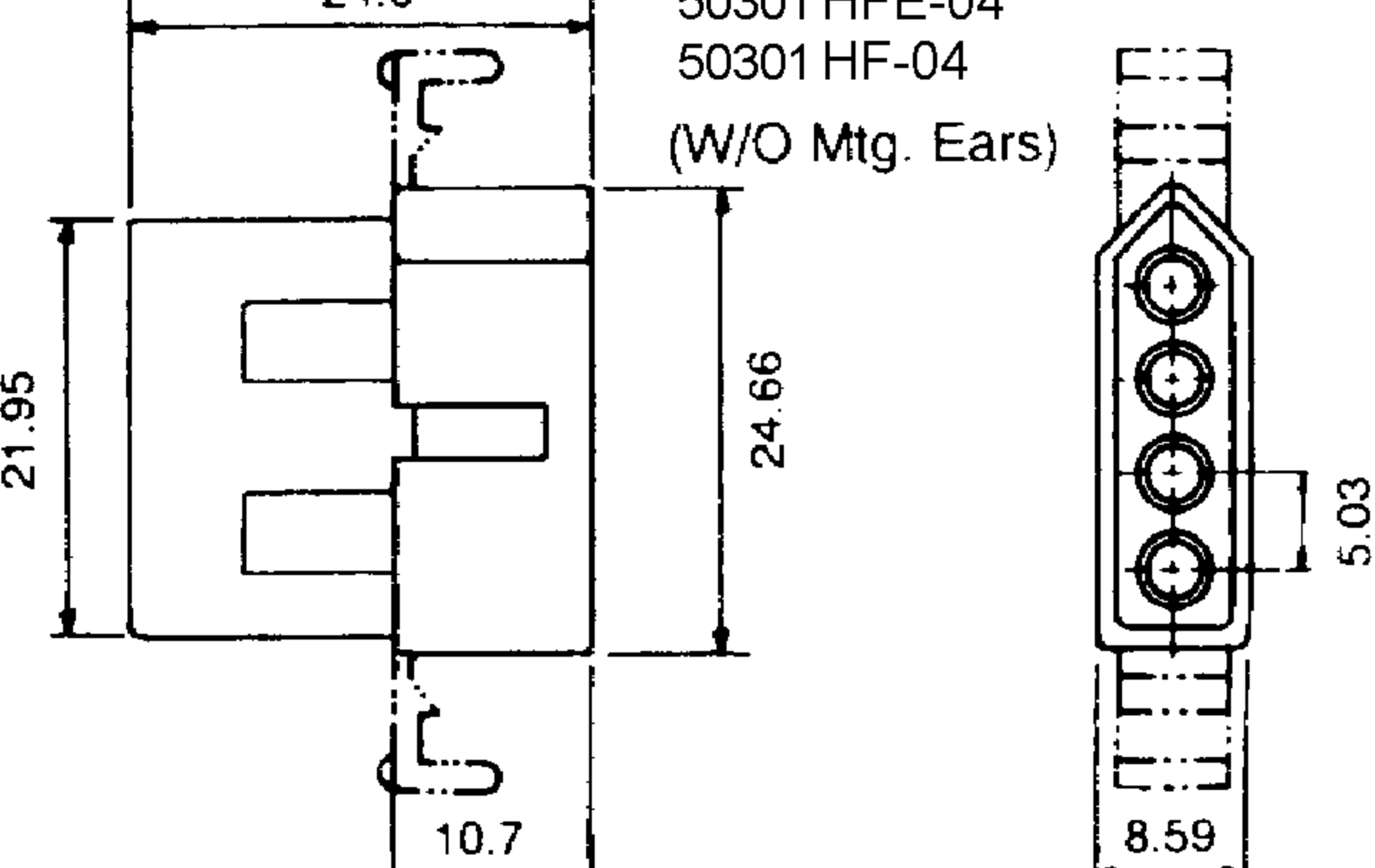
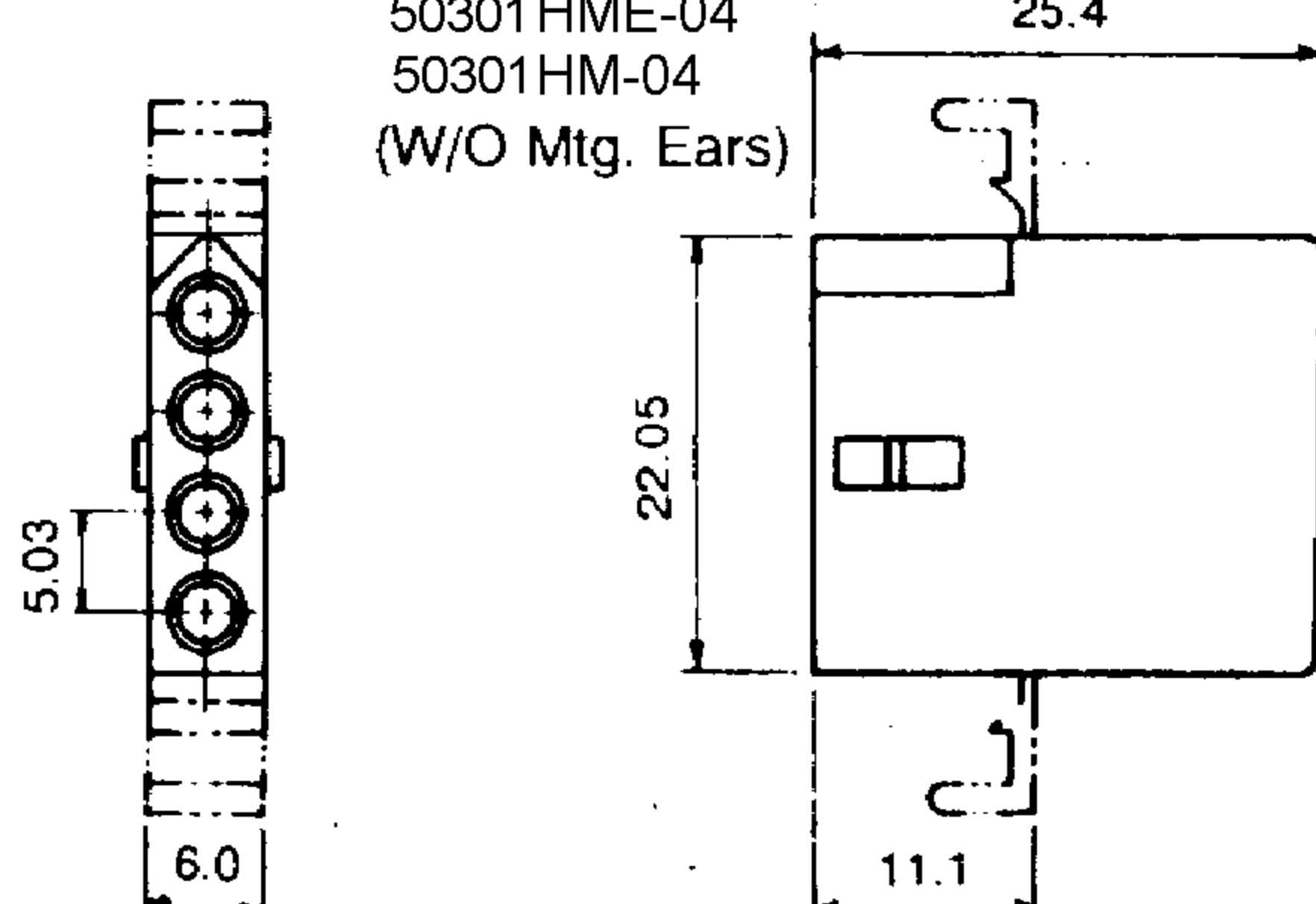
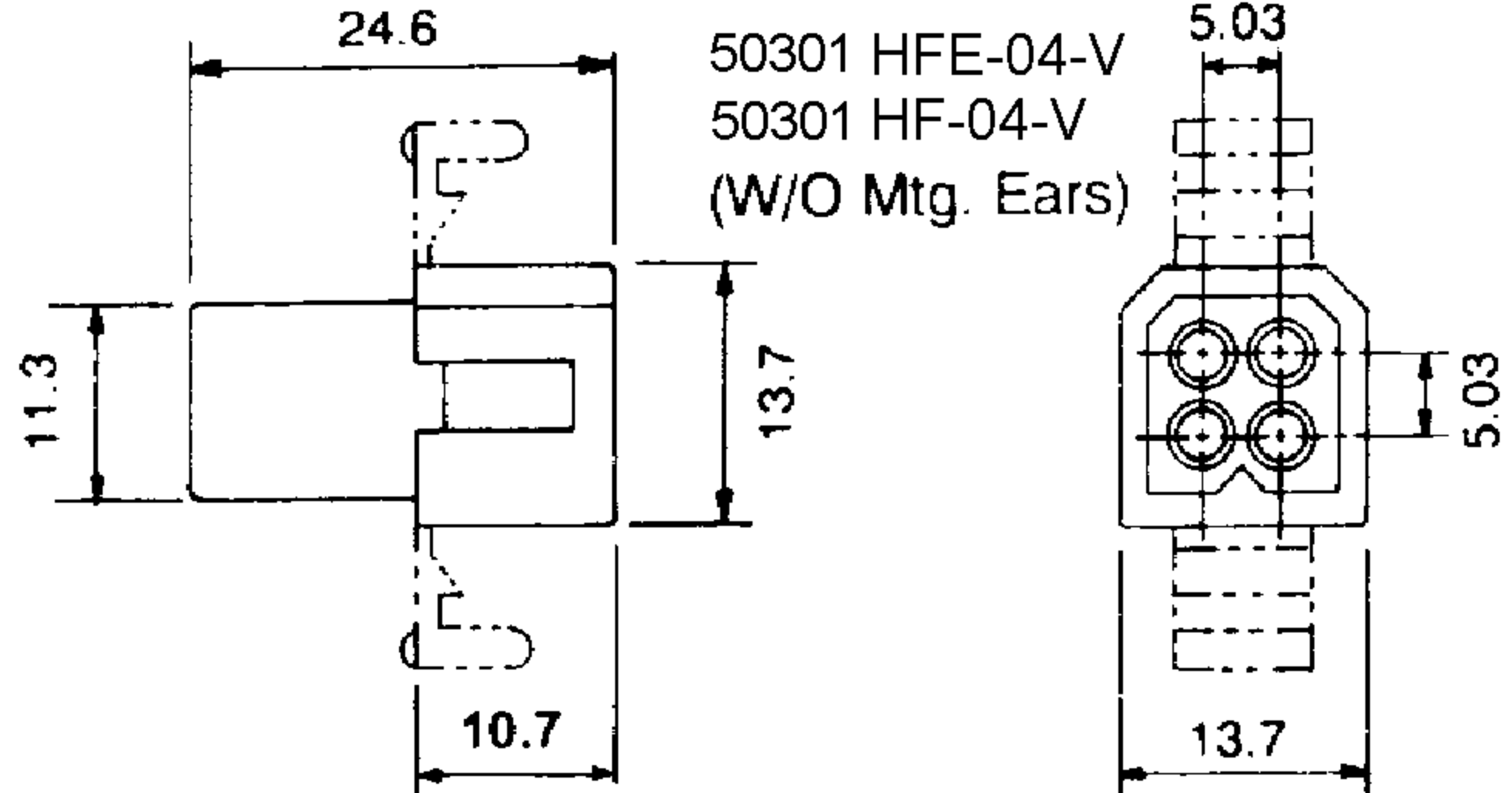


.093" (2,36 mm) Connectors

50301H-N Standard Connectors

Features/Dimensions:

- Integrally molded polarization
- 94V-2 rated nylon
- Accepts .093" (2,36mm) diameter crimp type terminals (67001T)
- .198" (5,03mm) spacing in a grid pattern
- Integrally molded mounting ears available
- Standard detent locking
- Standard color natural
- 1, 2, 3, 4, 5, 6, 9, 12, 15 circuit versions

Circuits	Max. Rated		Dimensional Information	
	Amps	Voltage	Plug	Receptacle
1	12A	250V	50301HF-01 (W/O Mtg. Ears) 	50301HM-01 (W/O Mtg. Ears) 
2	12A	250V	50301HFE-02 50301HF-02 (W/O Mtg. Ears) 	50301HME-02 50301HM-02 (W/O Mtg. Ears) 
3	12A	250V	50301HFE-03 50301HF-03 (W/O Mtg. Ears) 	50301HME-03 50301HM-03 (W/O Mtg. Ears) 
4	9A	250V	50301HFE-04 50301HF-04 (W/O Mtg. Ears) 	50301HME-04 50301HM-04 (W/O Mtg. Ears) 
4	9A	250V	50301HFE-04-V 50301HF-04-V (W/O Mtg. Ears) 	50301HME-04-V 50301HM-04-V (W/O Mtg. Ears) 