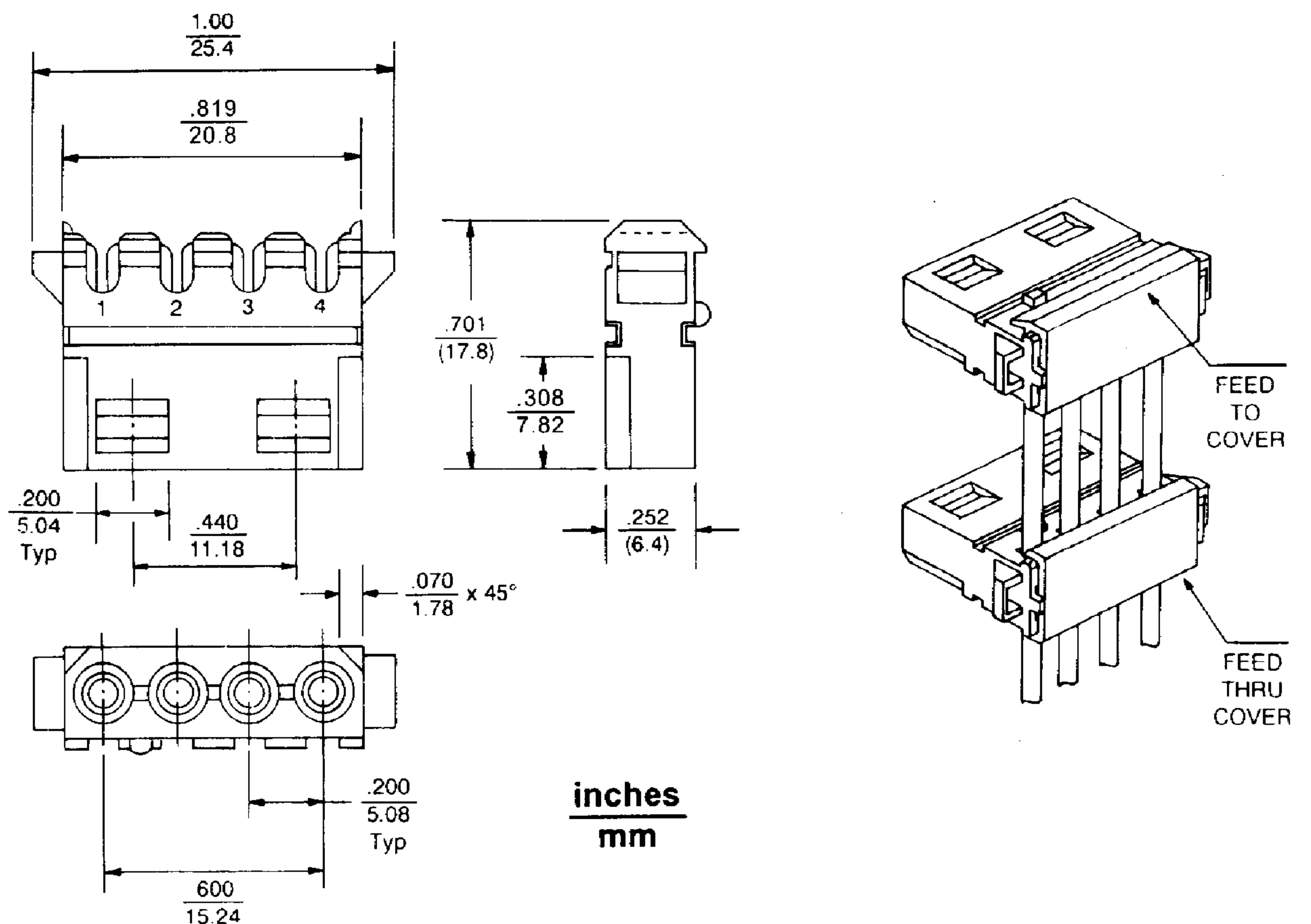


# Disk Drive Power Connection System

## 50801HI-04 Series

### Female Connector

- 4 circuits
- Housing: UL 94V-2 nylon
- Terminal: Tin-plated phosphor bronze
- Applicable wires: AWG #18 ~ #22
- Insulation O.D.: .095" (2.41mm) max.
- Mates with 50801HF-04 housing
- Mates with 50801WSF-04 series headers
- Mates with 50801HC series covers



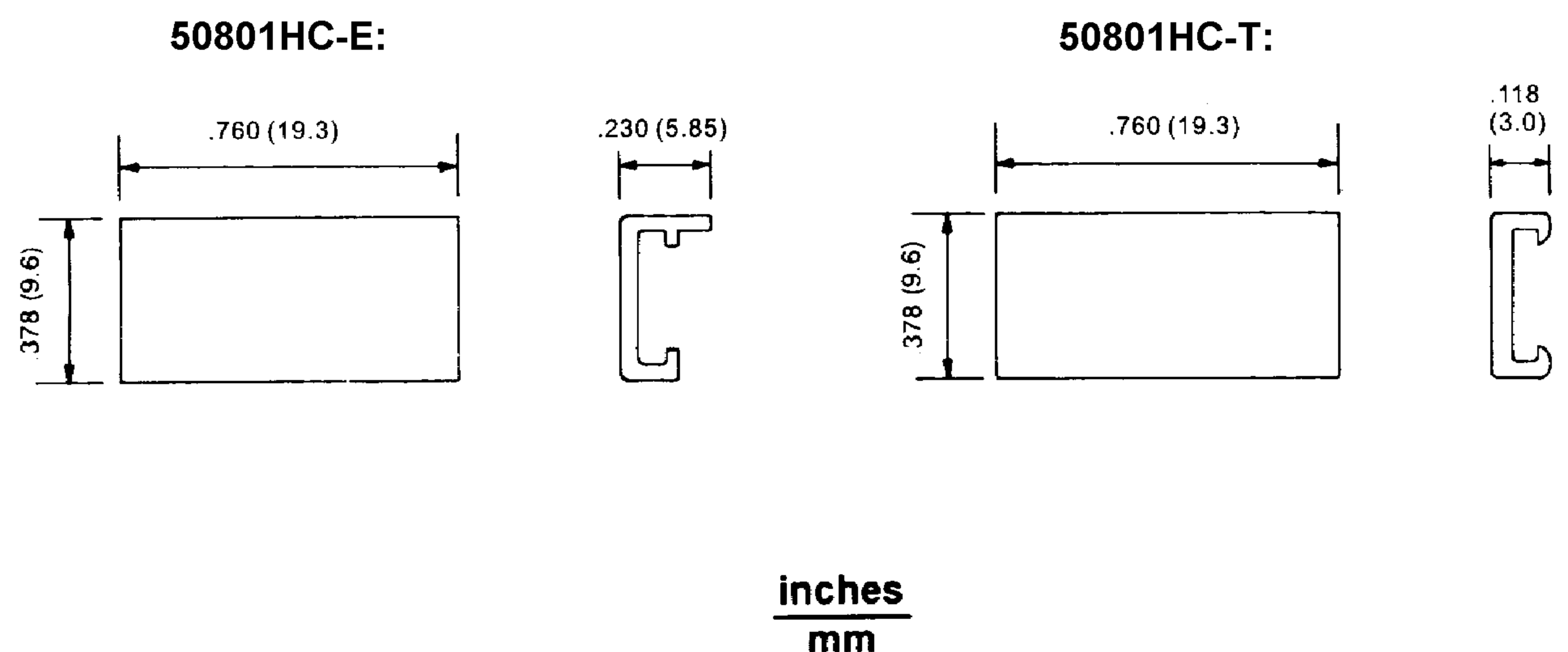
### Ordering Information

Part No.	Color	Wire Type
50801HI-04N	Natural	18 AWG stranded, 20 AWG solid and fused
50801HI-04Y	Yellow	22 AWG solid, fused stranded and stranded

## 50801HC Series

### Cover

- Material: 94V-2 ny
- Standard color: natural
- Mates with 50801HI-04 IDT connector



### Information 156C Covers

Part No.	Cover Type
50801HC-E	Feed to
50801HC-T	Feed thru