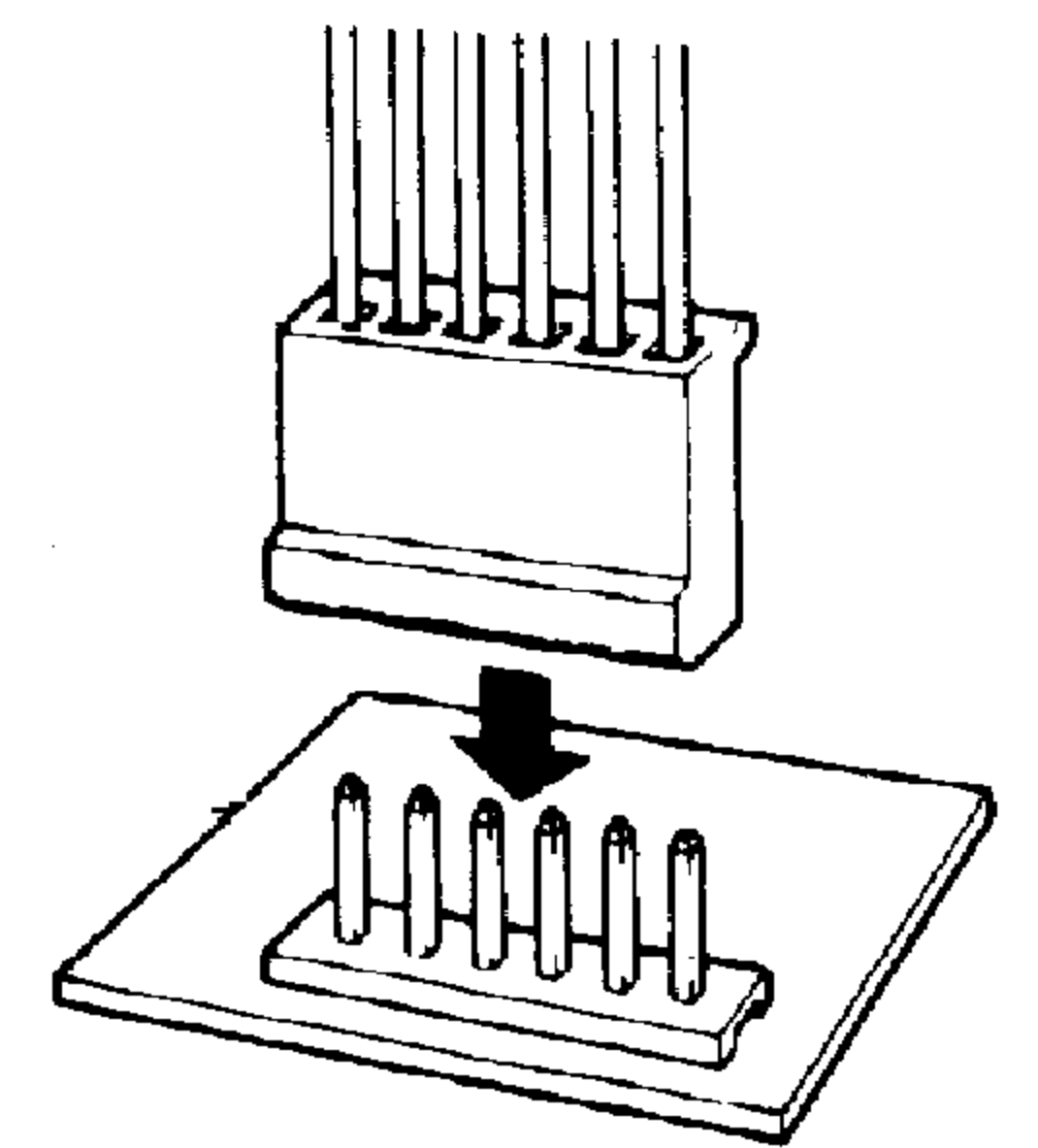
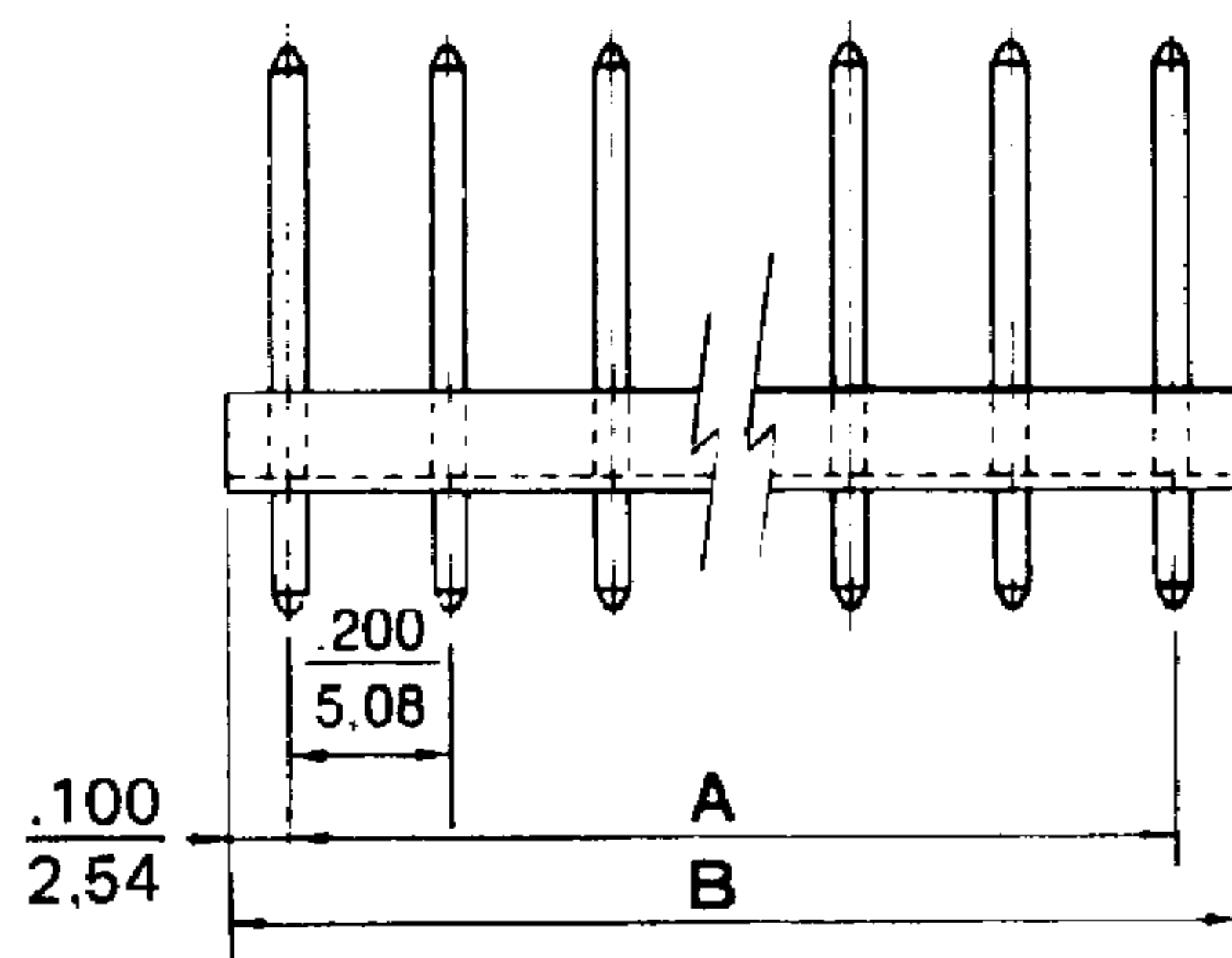


.200" (5,08mm) Center Header

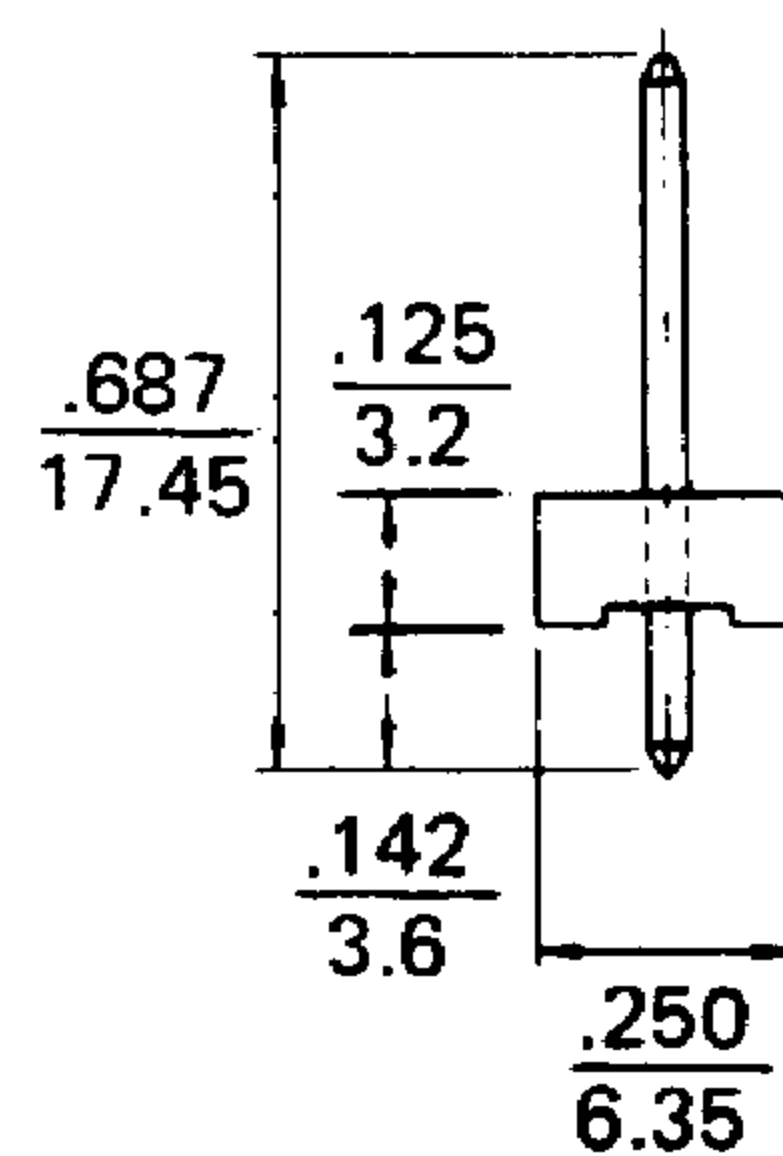
50802WSO-N Series Straight Pin Flat Header

Features/Dimensions

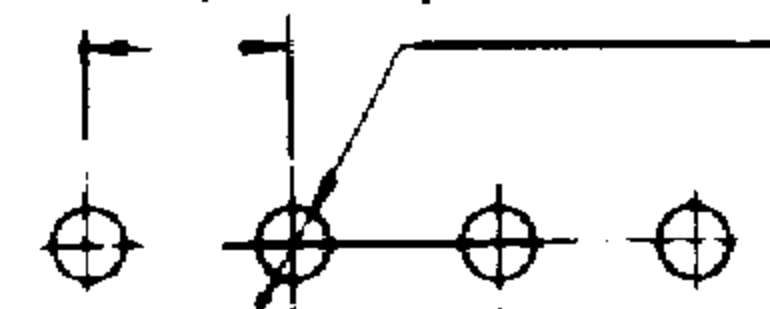
- 2-12 Circuits
- UL 94V-2 nylon 66
- .045" (1,14mm) straight square wire pin
- Mates with 50802H-N series housing
- Tin plated brass pins. Plating options available



inches
mm



$.200 \pm .004$ $\phi .071 \pm .002$
 5.08 ± 0.1 $\phi 1.8 \pm 0.05$



P.C. Board Hole Dimensions

Dimensional Information - in. (mm)

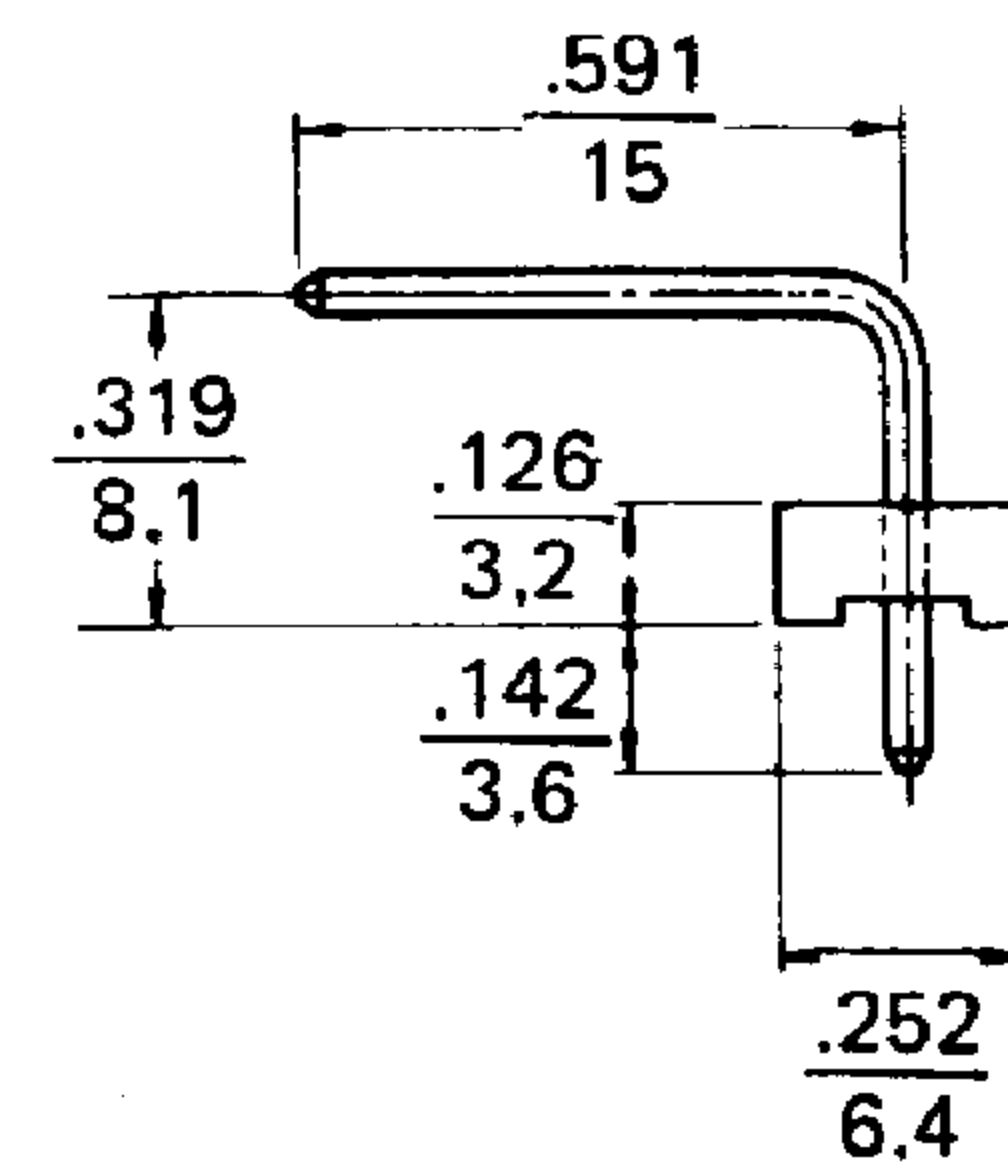
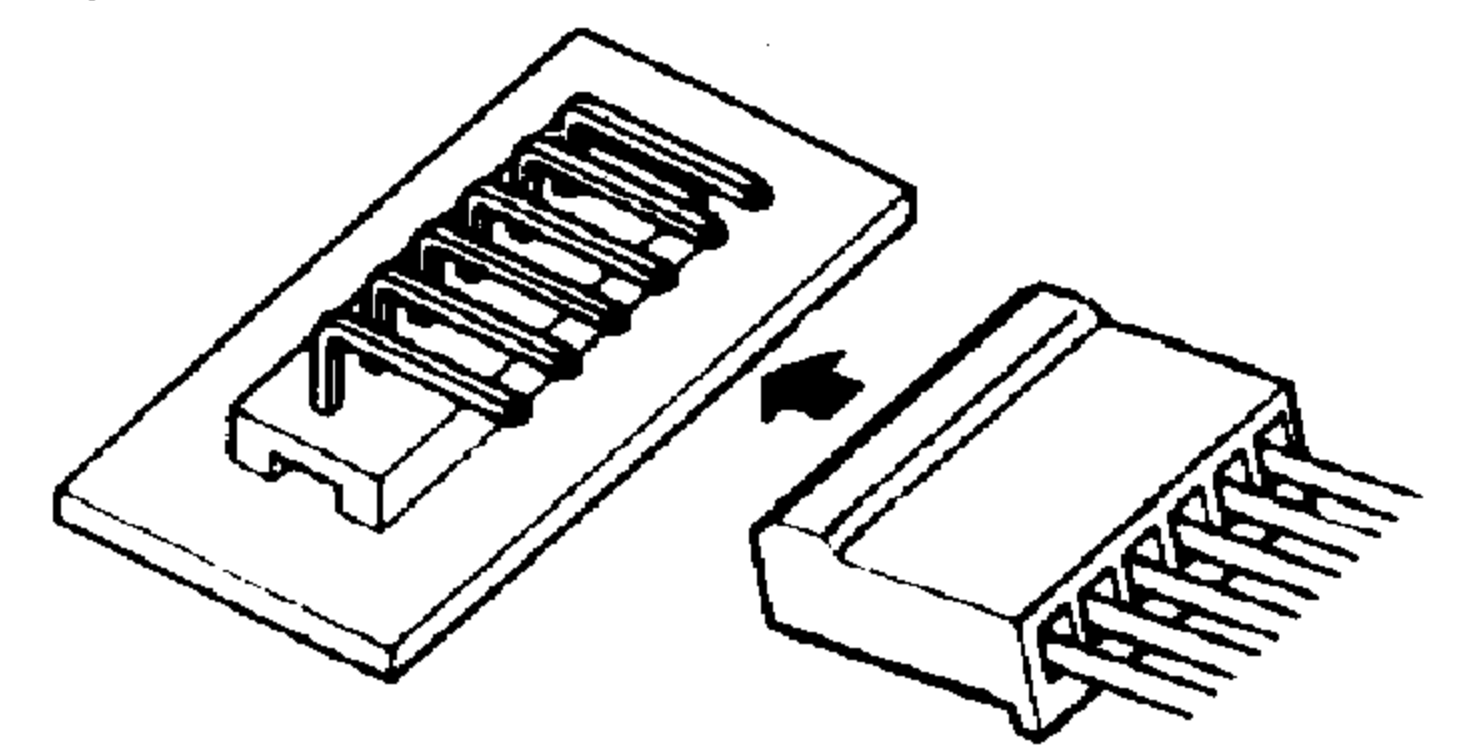
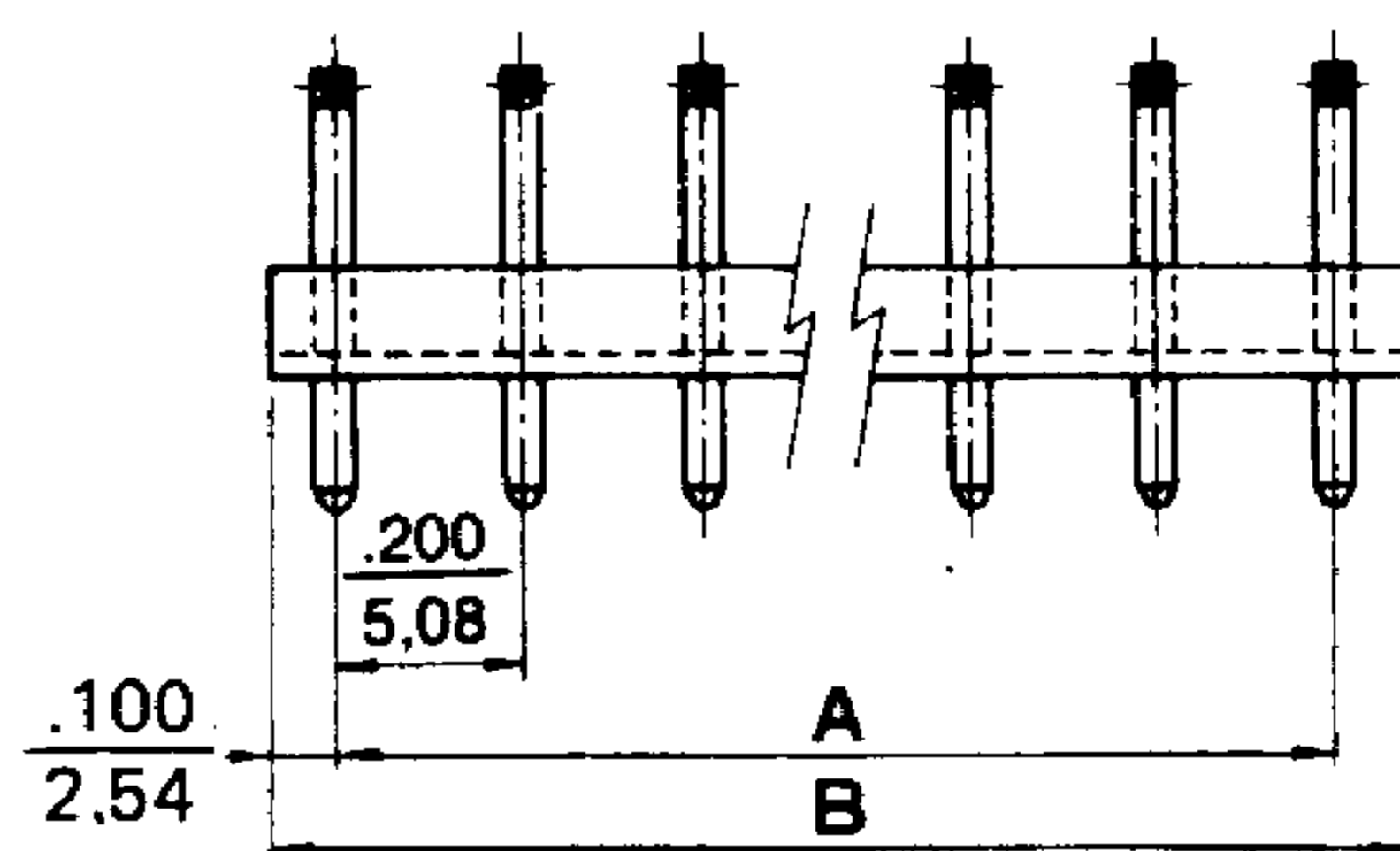
Circuits	Dim. A	Dim. B
2	.200 (5,08)	.400 (10,16)
3	.400 (10,16)	.600 (15,24)
4	.600 (15,24)	.800 (20,32)
5	.800 (20,32)	1.000 (25,40)
6	1.000 (25,40)	1.200 (30,48)
7	1.200 (30,48)	1.400 (35,56)

Circuits	Dim. A	Dim. B
8	1.400 (35,56)	1.600 (40,64)
9	1.600 (40,64)	1.800 (45,72)
10	1.800 (45,72)	2.000 (50,80)
11	2.000 (50,80)	2.200 (55,88)
12	2.200 (55,88)	2.400 (60,96)

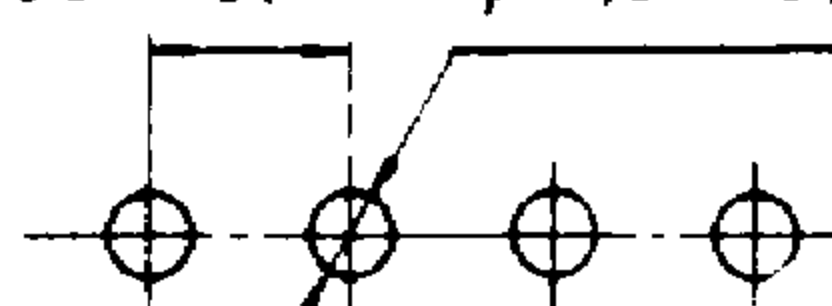
50802WRO-N Series Right Angle Pin Header

- 2-12 Circuits
- UL 94V-2 nylon 66
- .045" (1,14mm) square wire pins
- Mates with 50802H-N series housing
- Tin plated brass pins. Plating options available

inches
mm



$.200 \pm .004$ $\phi .071 \pm .002$
 5.08 ± 0.1 $\phi 1.8 \pm 0.05$



P.C. Board Hole Dimensions

Dimensional Information - in. (mm)

Circuits	Dim. A	Dim. B
2	.200 (5,08)	.400 (10,16)
3	.400 (10,16)	.600 (15,24)
4	.600 (15,24)	.800 (20,32)
5	.800 (20,32)	1.000 (25,40)
6	1.000 (25,40)	1.200 (30,48)
7	1.200 (30,48)	1.400 (35,56)

Circuits	Dim. A	Dim. B
8	1.400 (35,56)	1.600 (40,64)
9	1.600 (40,64)	1.800 (45,72)
10	1.800 (45,72)	2.000 (50,80)
11	2.000 (50,80)	2.200 (55,88)
12	2.200 (55,88)	2.400 (60,96)